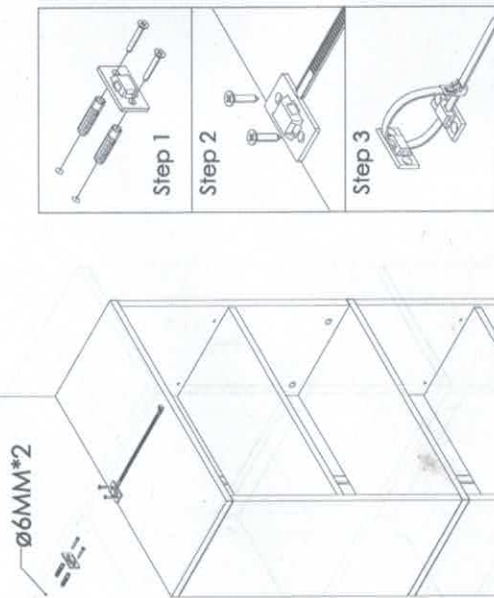


Assembly Instruction

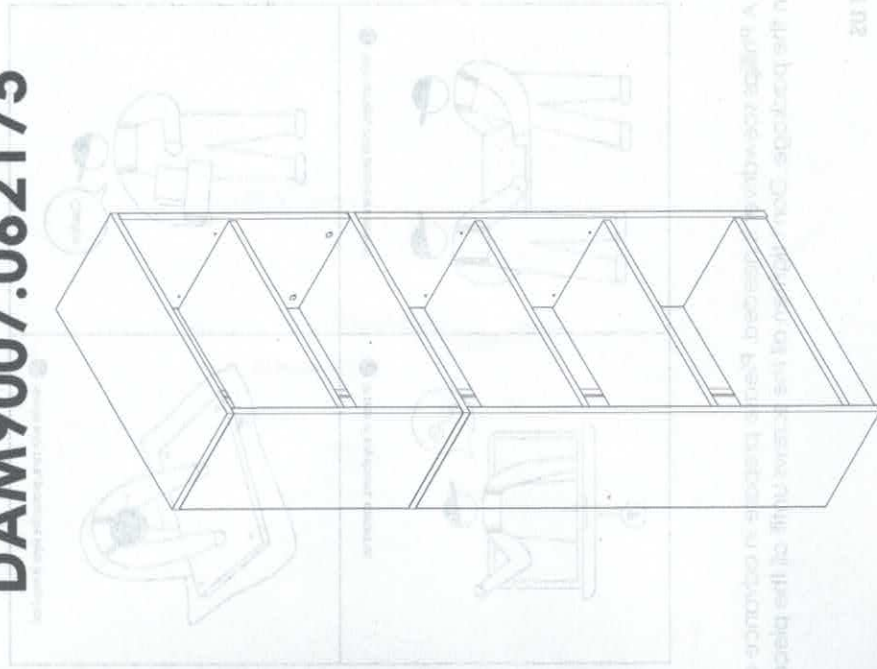
STEP 16

Be sure to tighten nylon strap in case the bookcase topples over.



Sunön

Assembly Manual 5-Tier Bookcase DAM9007.062175



Please read this manual carefully before any operation and keep it properly for future use.

Customer service: ecservice@isunon.com

Installation Notes

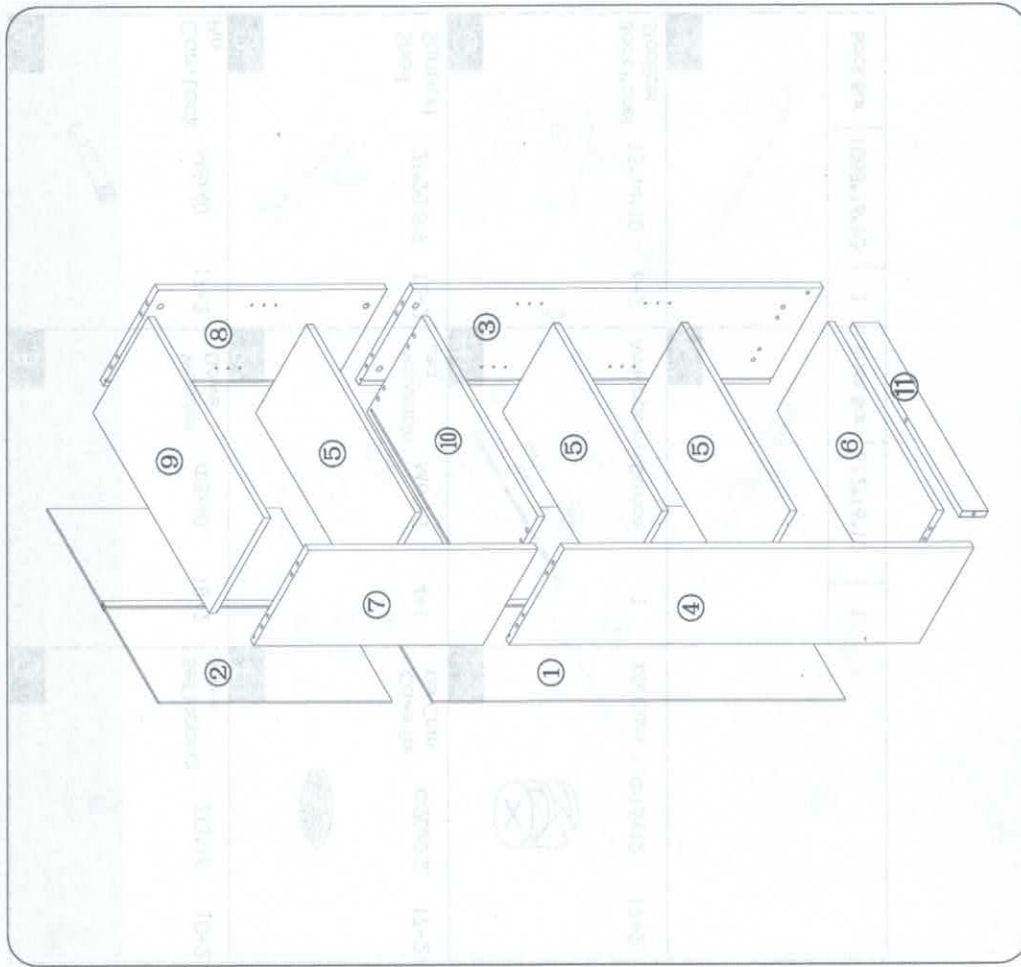


Attention: A Phillips screwdriver is needed. Please prepare in advance as it is NOT included in the package. Don't tighten all the screws until all the pieces are fitted.

CONTACT US

If you have any problems or concerns about your purchase, please get in touch with our customer service (ecservice@isunon.com) as soon as possible and we will do everything we can to help. You will be highly appreciated if you can put your order number in the email title so that we can deal with it efficiently.












Exploded View



No.	Component	PCS
1	Back panel (lower)	2
2	Back panel (upper)	2
3	Right panel (lower)	1
4	Right panel (upper)	1
5	Movable shelf	3
6	Bottom panel	1

No.	Component	PCS
7	Left panel (upper)	1
8	Right panel (upper)	1
9	Top panel (upper)	1
10	Top panel (lower)	1
11	Skirt panel	1

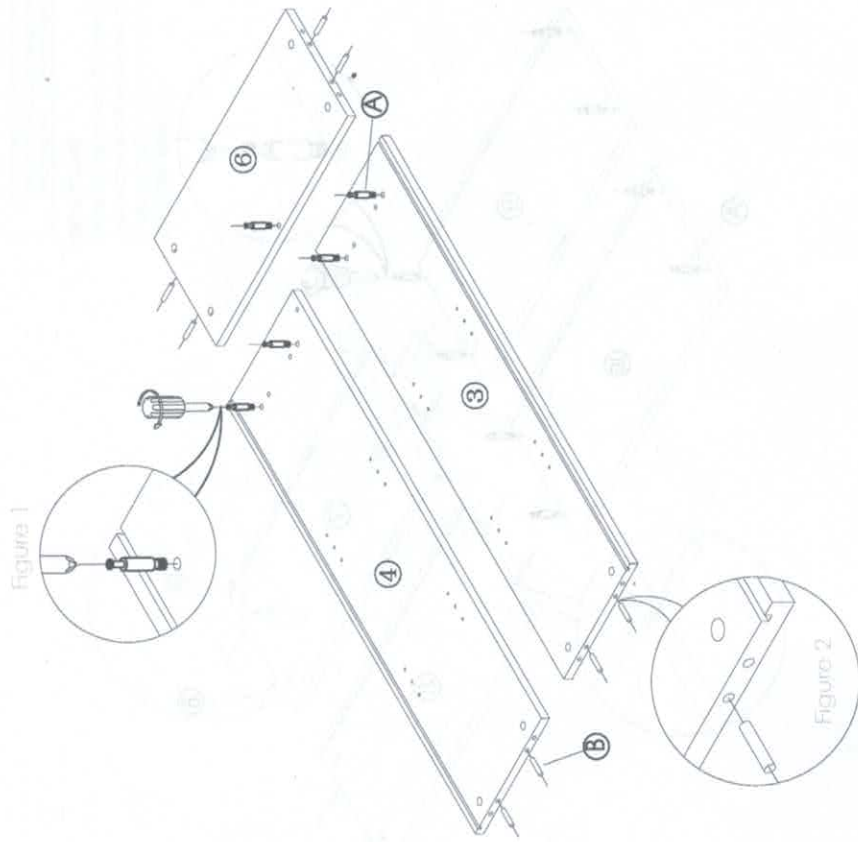
Components list

A		B		C	
Cam Lock Pin	M6x40	17+2	Wooden Dowel	Φ8x40	18+2
D		E		F	
Adjustable Leg	21*20.8*9	12+2	Cover for Klik Cam	Φ20x0.2	17+2
G		H		I	
Back Panel Stabilizer	15*14*10	6+2	Anti-Topping Device	1	17+2
J		K			
Back Bar	1088*16*10	1	Back Bar	612*16*10	1

Assembly Instruction

STEP 1

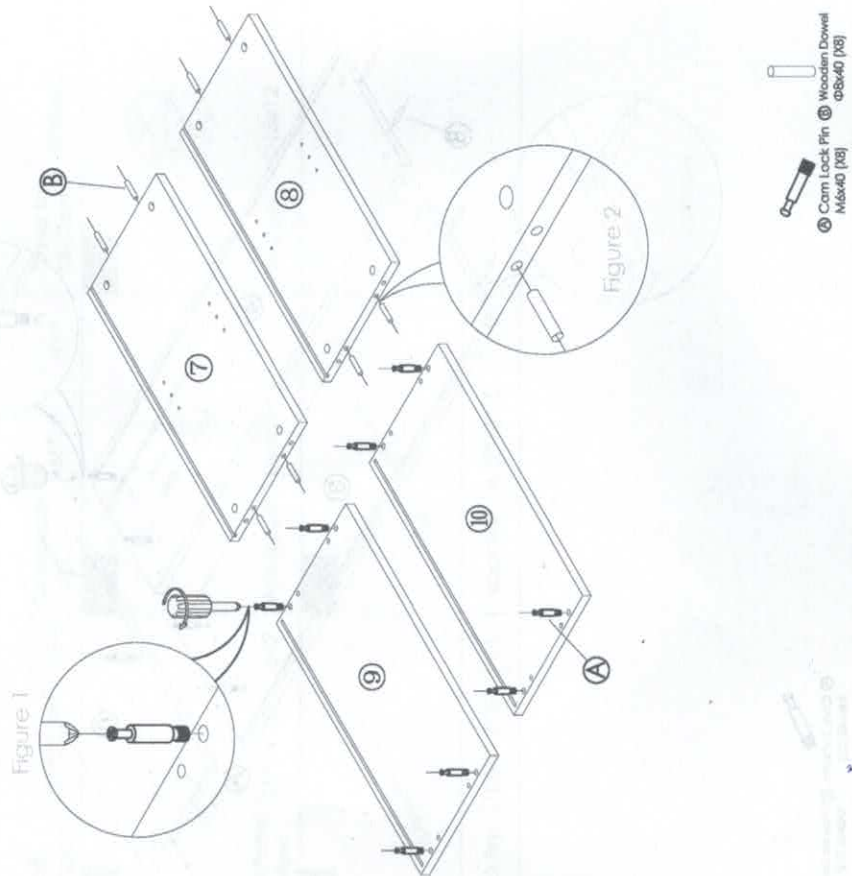
Assemble the side and bottom panels with cam lock pin (As shown in Figure 1 below).
Place the wooden dowels into the corresponding holes of side and bottom panel (As shown in Figure 2 below).



-  Cam Lock Pin M6x40 (X2)
-  Wooden Dowel Φ8x40 (X6)

Assembly Instruction


STEP 2 Assemble the top panel with cam lock pin (As shown in Figure 1 below). Place the wooden dowels into the corresponding holes (As shown in Figure 2 below).



- ⑧ Cam Lock Pin M3x40 [18]
- ⑨ Wooden Dowel Ø8x40 [18]

Assembly Instruction

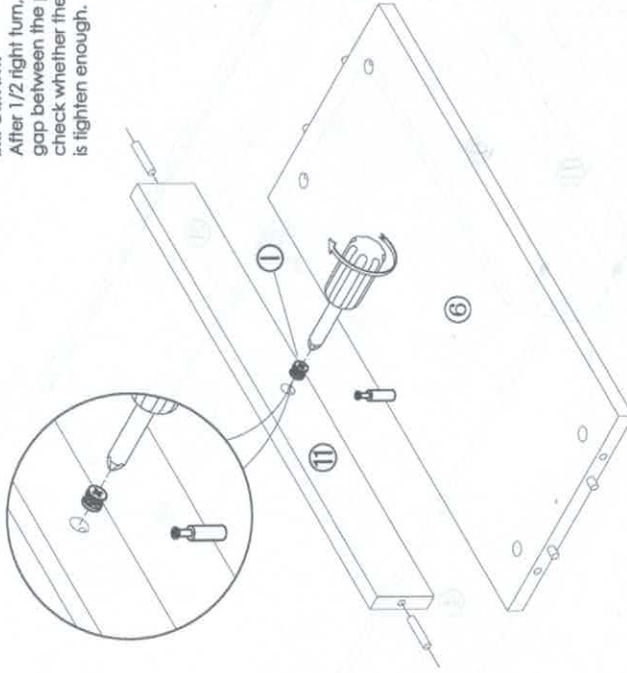
STEP 3 Attach the skirt panel to the bottom panel and lock the klix cam (as shown in Figure 1 below).

FUNCTION OF KLIX CAM

1/2 RIGHT TURN FOR LOCKING
 MAKE SURE THE ARROW OVER AGAINST THE TOPSIDE OF CAM LOCK PIN BEFORE INSERTING INTO THE PANEL'S HOLE.

IMPORTANT!

After 1/2 right turn, if there is a gap between the panels, please check whether the cam lock pin is tighten enough.

Figure 1



- ⑪ Wooden Dowel Ø8x40 [12]
- ⑩ Klix Cam Ø15x12 [11]

Assembly Instruction

STEP 4

Connect the left and right panels to the bottom panel and lock the Klix cam (as shown in Figure 1 below).



INSTALLATION
 0 120mm E and 100 501 series
 0 120mm E and 100 501 series
 0 120mm E and 100 501 series

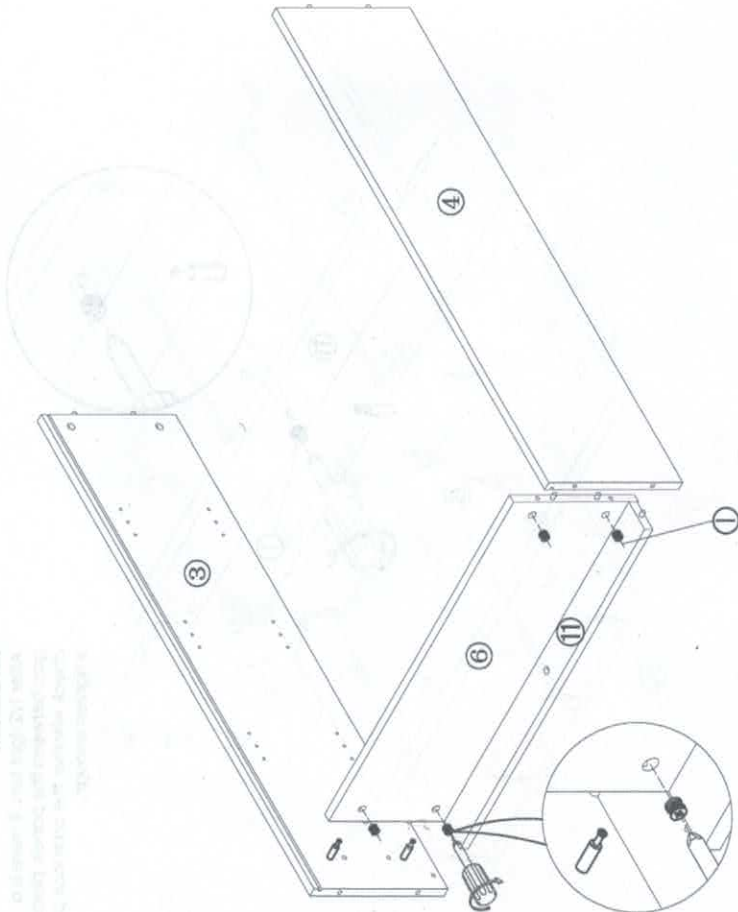


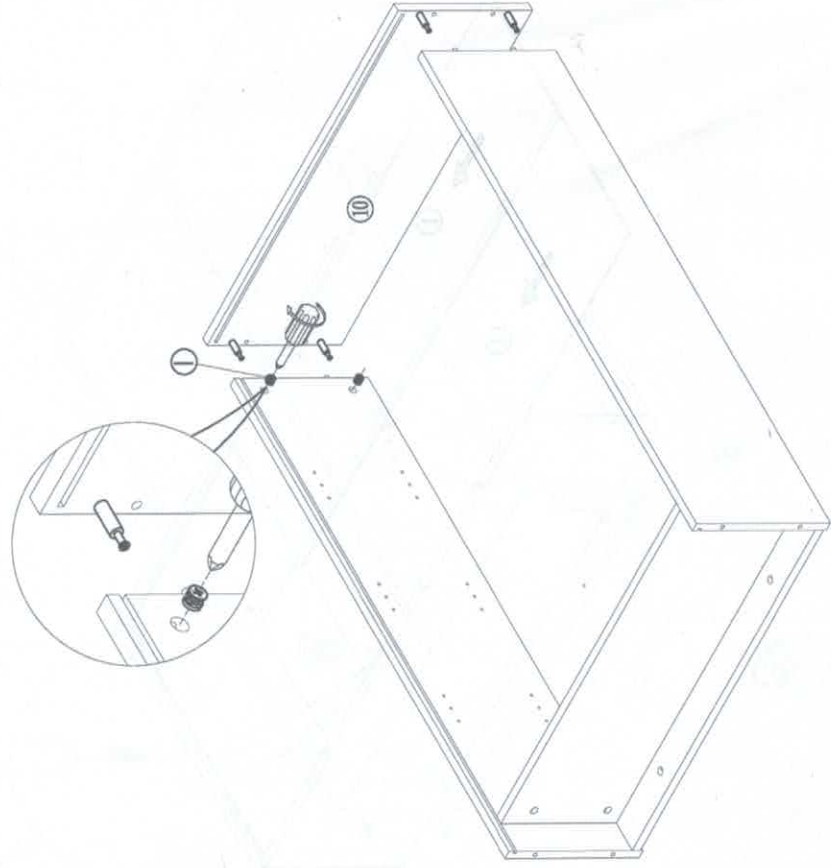
Figure 1

Klix Cam
 Ø15x12 (M4)

Assembly Instruction

STEP 5

Connect the assembled side panels, bottom panel frame and top panel, and lock the Klix cam.

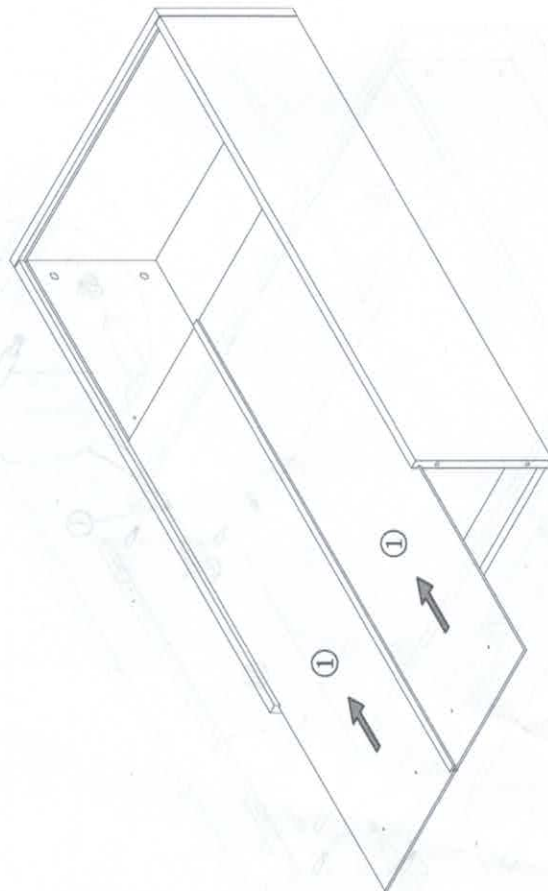


Klix Cam
 Ø15x12 (M4)

Assembly Instruction

STEP 6

Insert the back panel into the back panel slot (as shown in the figure below).



Assembly Instruction

STEP 7

Fix the back panel with ST3*16 self-tapping screws as shown in Figure 1. Screw the adjustable legs into the corresponding holes at the bottom of the left and right panels, and adjust the height to make them even if needed.

Figure 1

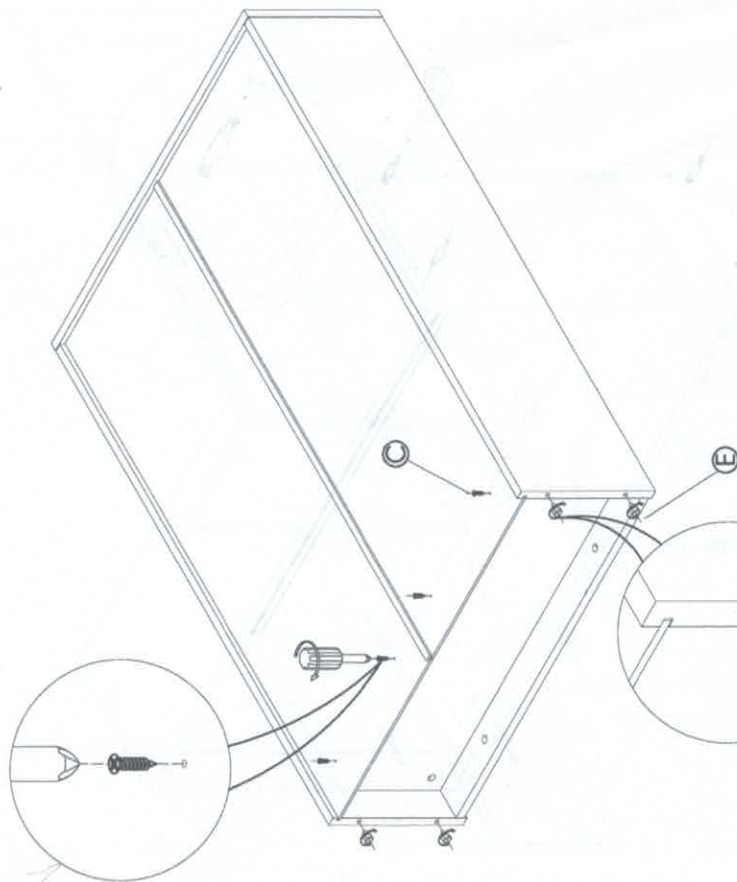
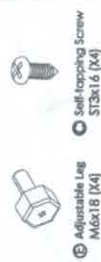


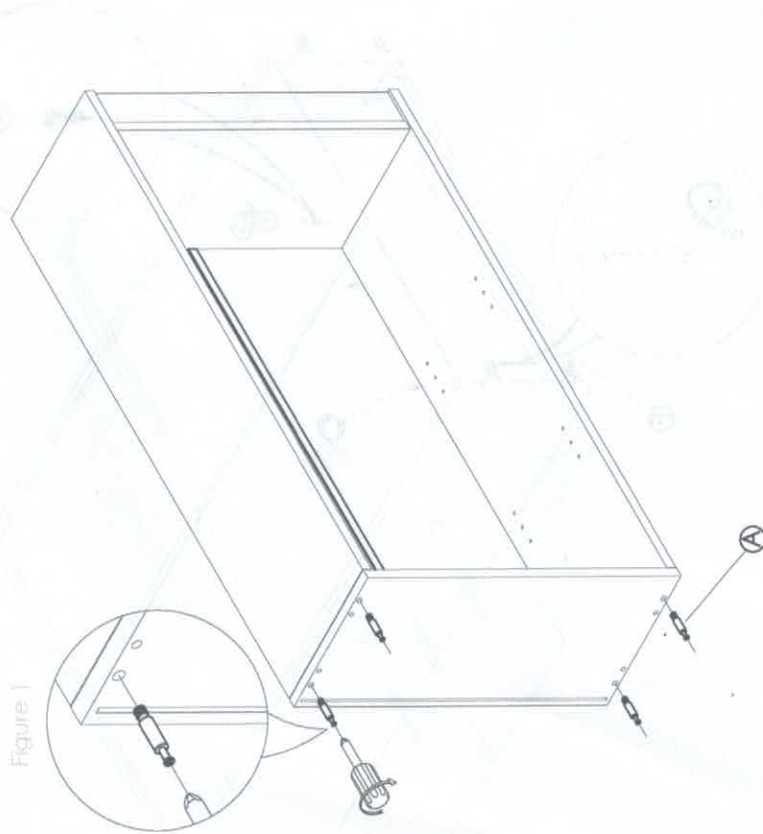
Figure 2



Assembly Instruction

STEP 8

Screw the cam lock pin into the corresponding holes in the top plate (as shown in Figure 1 below).

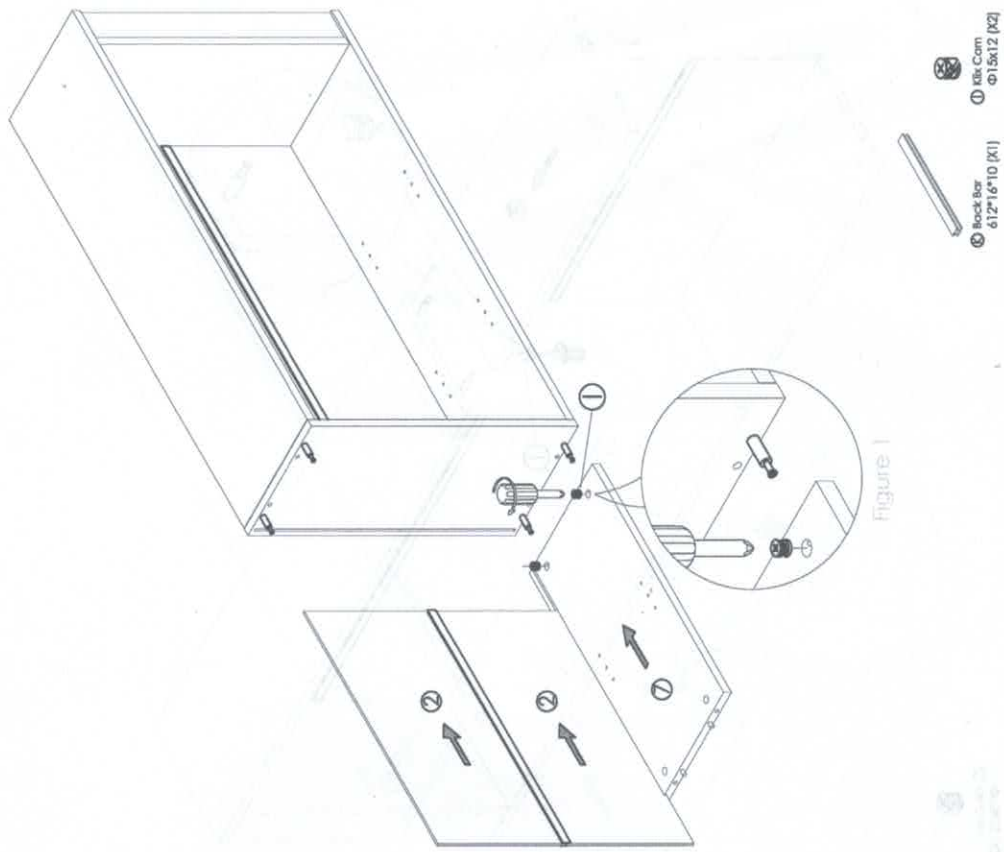


- Cam Lock Pin
M6x40 (x4)

Assembly Instruction

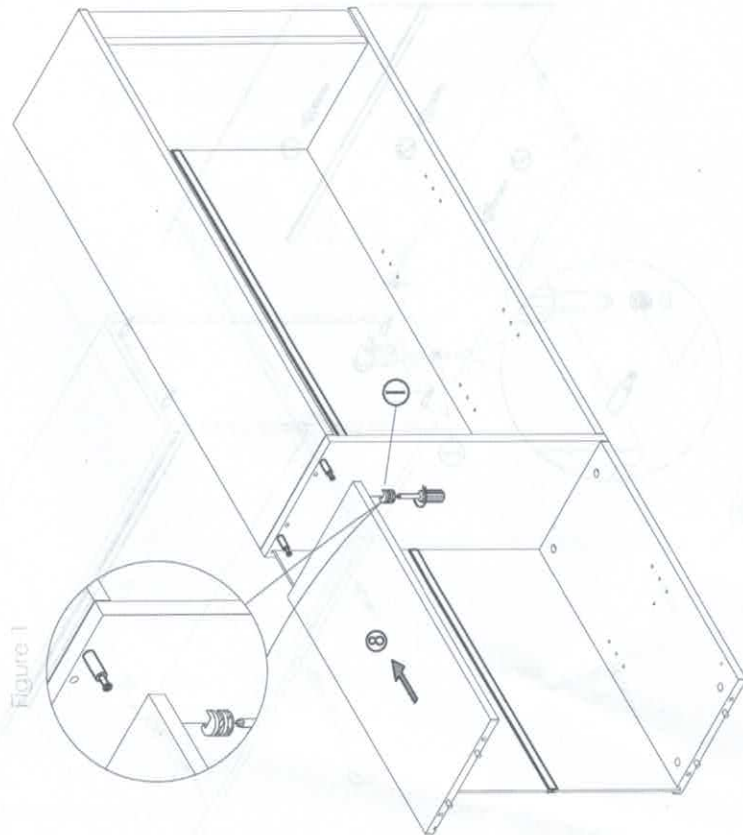
STEP 9

Connect the upper left side panel and lock the klix cam (as shown in figure 1 below).
Insert the upper back panel.



Assembly Instruction

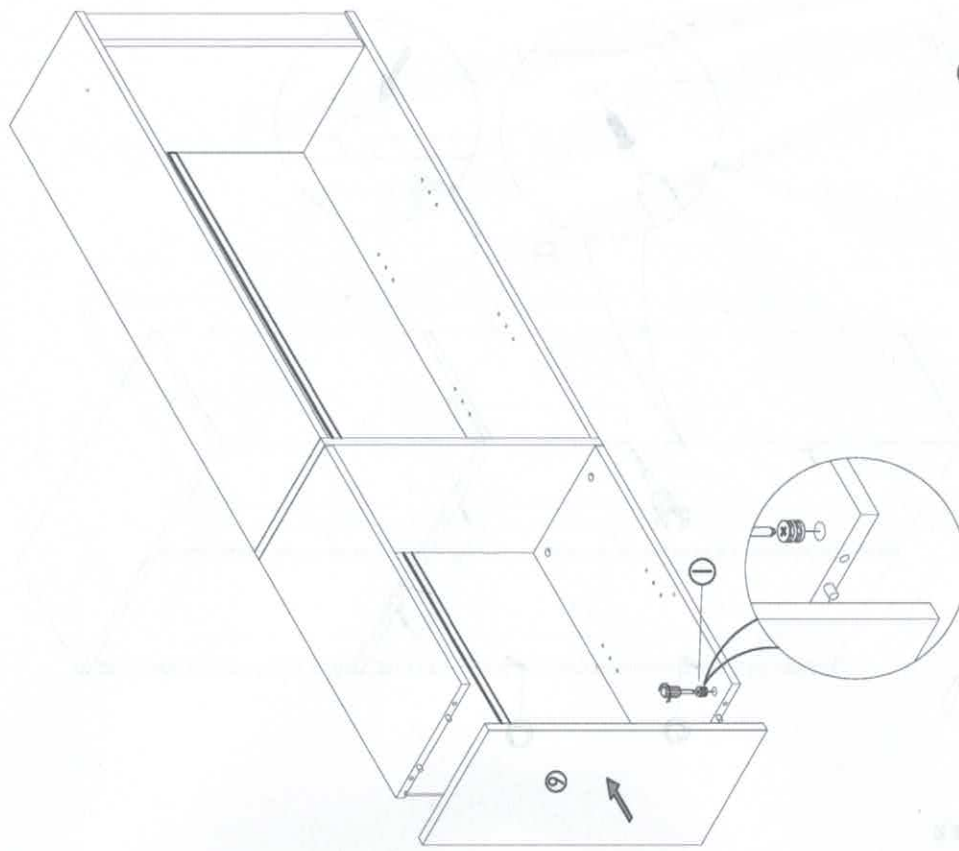
STEP 10 Connect the upright-side panel, and lock the klix cam (as shown below).



 Klix Cam
Ø 1.5x12 (X2)

Assembly Instruction

STEP 11 Connect the upper top panel to and lock the klix cam (as shown in the figure below).

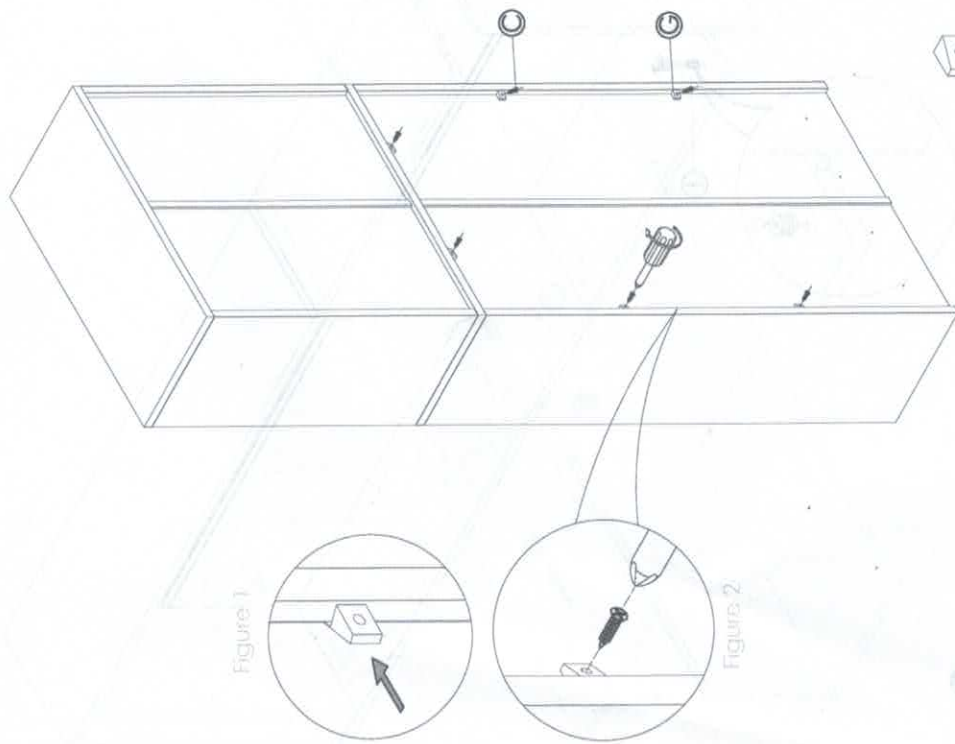


 Klix Cam
Ø 1.5x12 (X4)

Assembly Instruction

Press the backplane stabilizers into the gap at the back of the back panel (as shown in figure 1 below).
Then fix the back panel stabilizer with self-tapping screws (ST3 * 16) (as shown in figure 2 below).

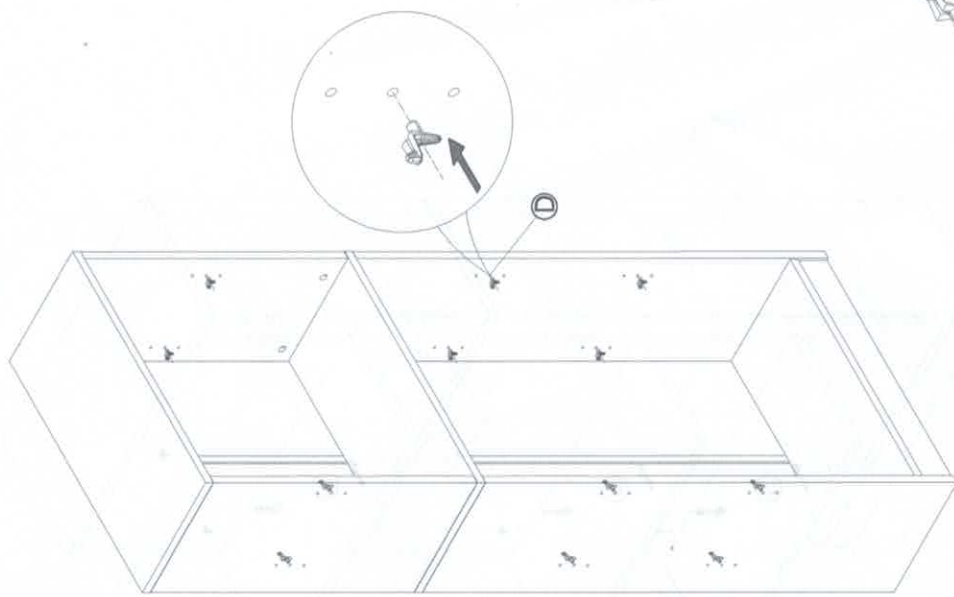
STEP 12



Assembly Instruction

STEP 13

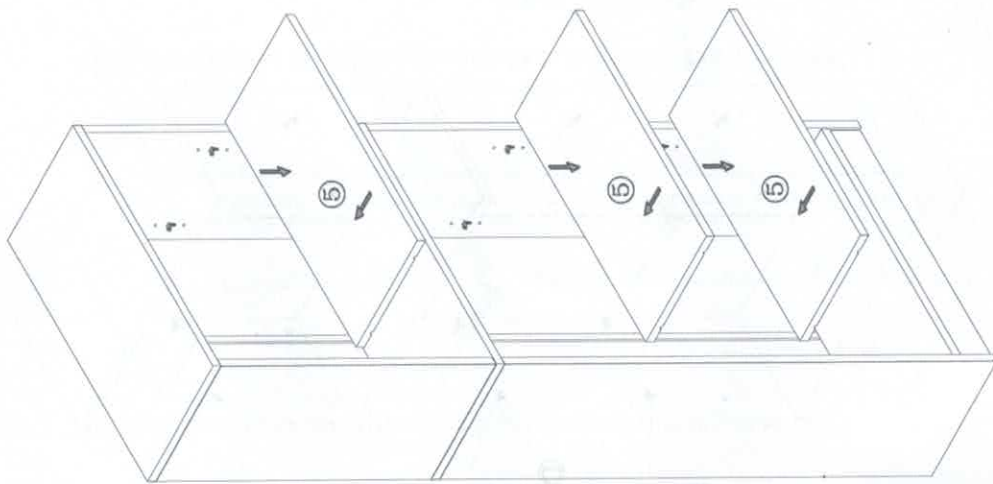
Put the shelf supports (Φ5*15.5) in place to have different space as you desire.



Assembly Instruction

STEP 14

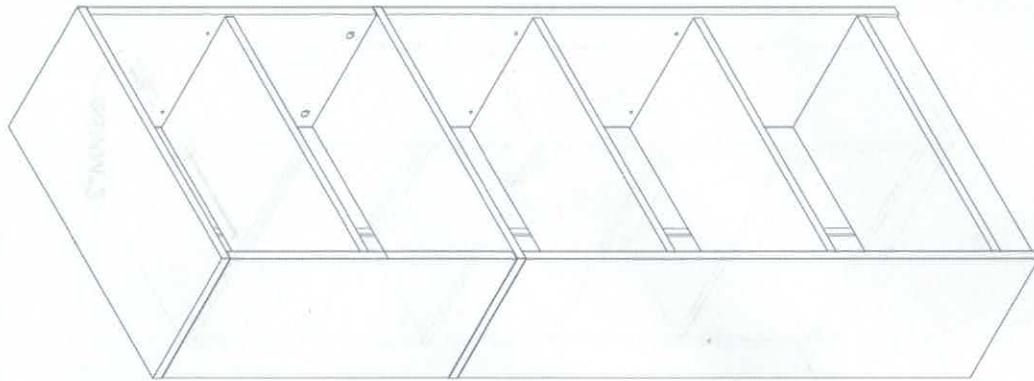
Place the movable panels accordingly. Make sure the panel are just right on the shelf supports.



Assembly Instruction

STEP 15

Place covers for klix.com.
Completed.



© Cover for
klix.com
020002 (M17)