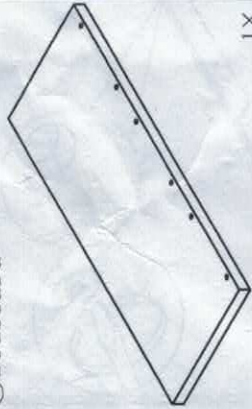


① Bedboard



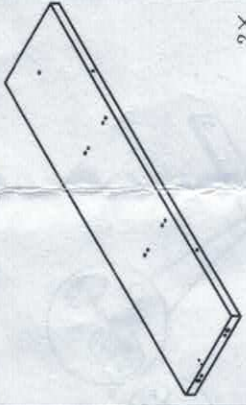
1X

② Middle bedboard



1X

③ Left and right bedboards



2X

④ Base frame side panel



2X

A. Cam pin



44X

C. Cam lock



44X

B. Dowel



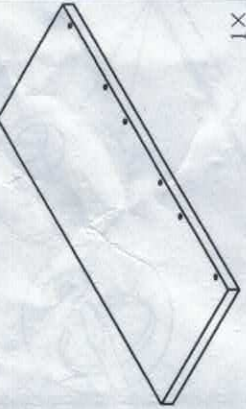
22X

D. Chamfered hexagonal machine wire



6X

⑤ Base frame back panel



1X

⑥ Base frame front panel



1X

⑦ Bottom frame interplate



1X

⑧ Bottom frame partition



4X

E. 6V spanner



1X

F. Cam cover



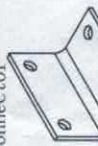
44X

G. Dual-purpose Screwdriver



1X

H. Middle corner connector

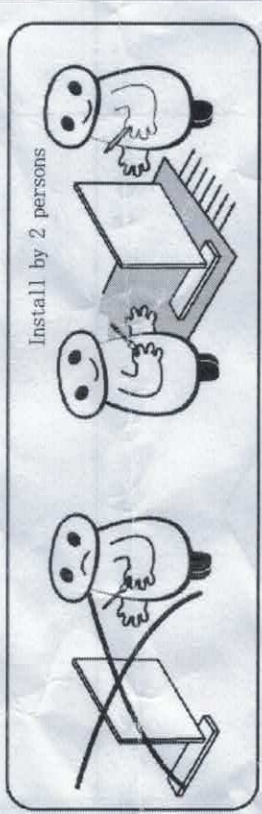


3X

I. Wood screw



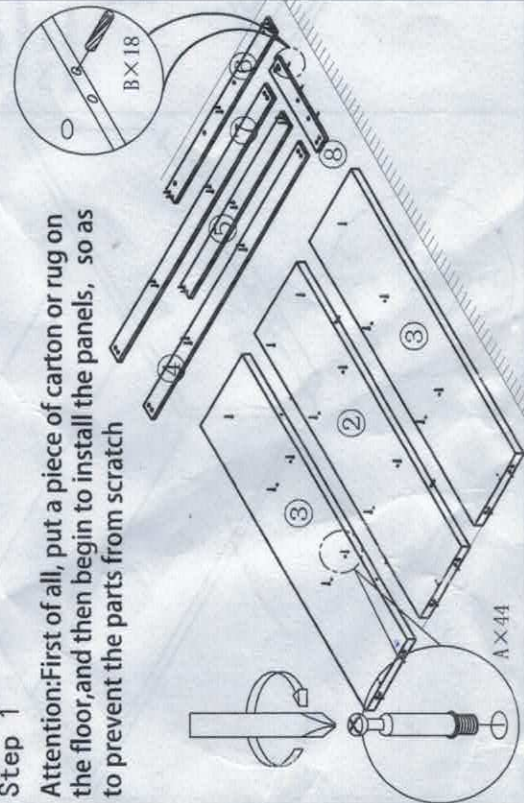
12X



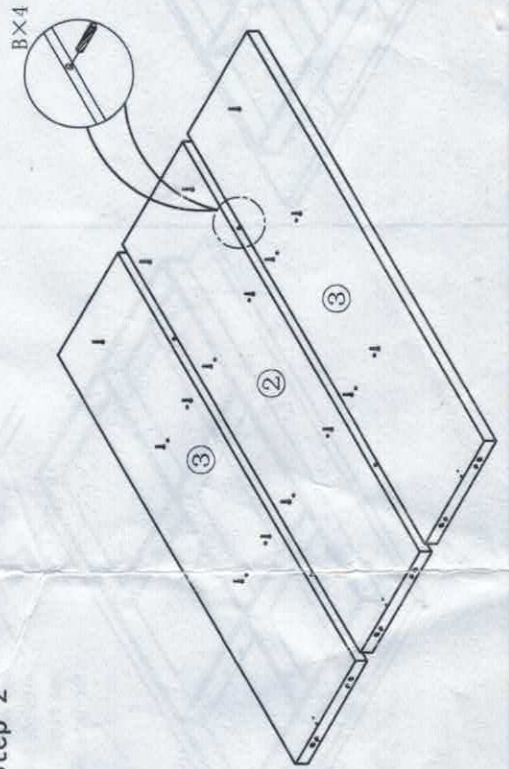
Install by 2 persons

Step 1

Attention: First of all, put a piece of carton or rug on the floor, and then begin to install the panels, so as to prevent the parts from scratch



Step 2

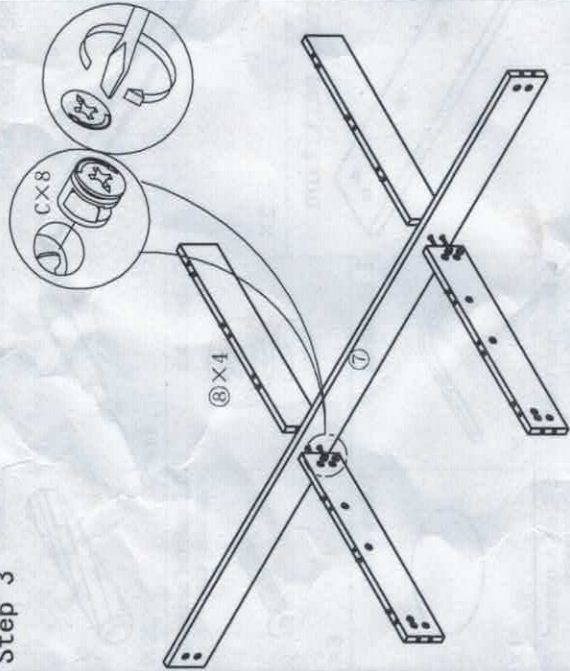


Mode I GF095-18

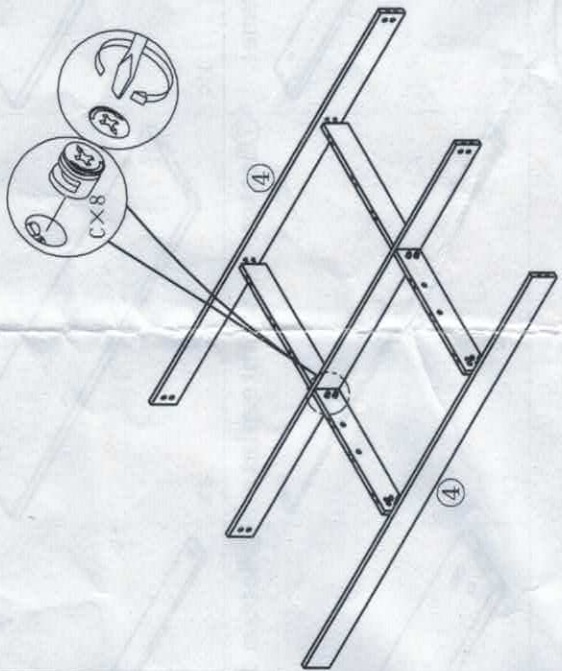
Name Bed

Size 1800W\*2050D\*705H

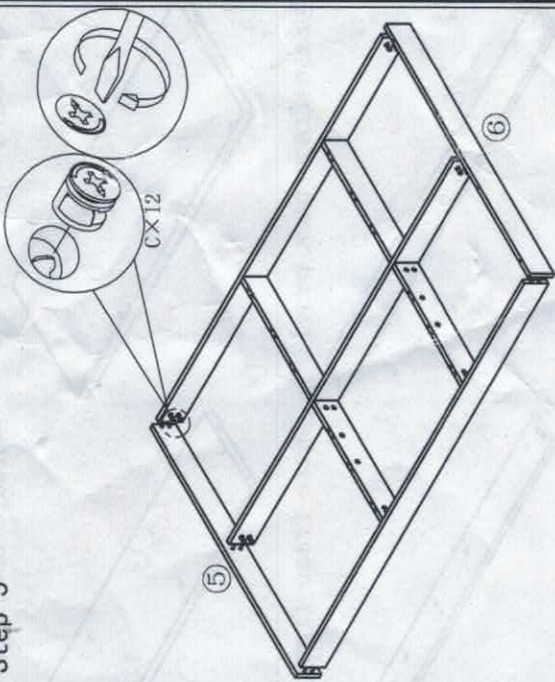
Step 3



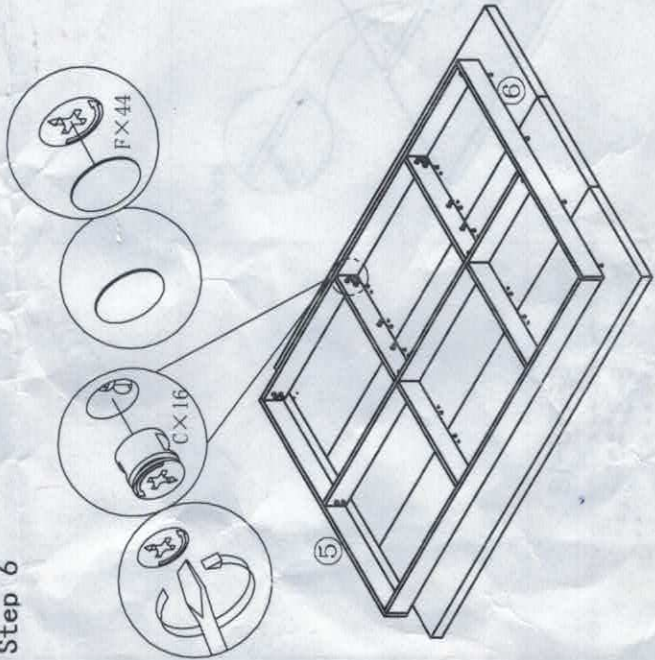
Step 4



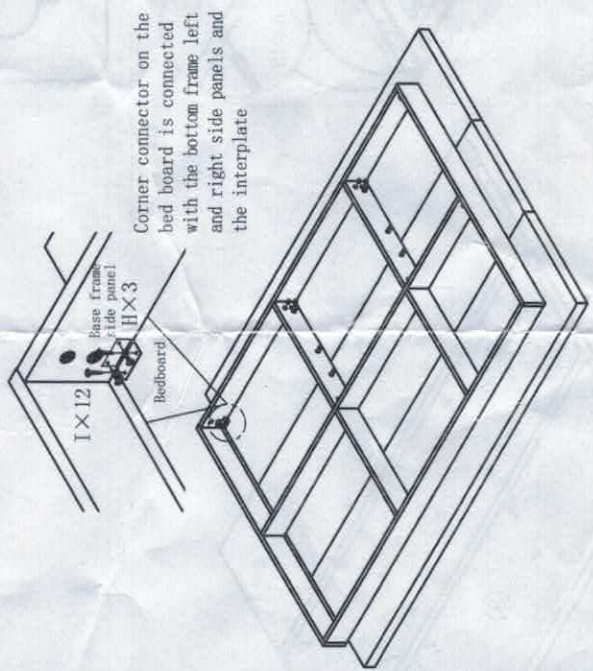
Step 5



Step 6



Step 7



Step 8

