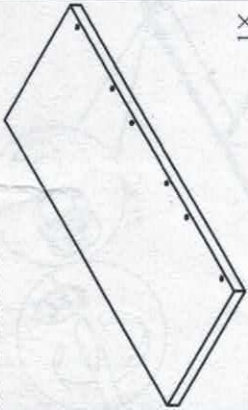
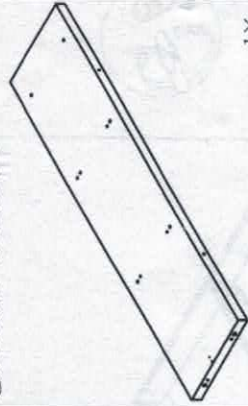


① Bedboard



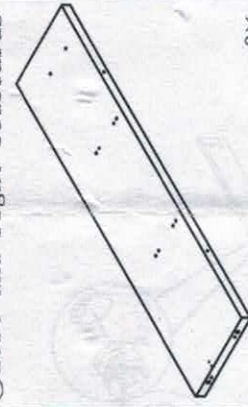
1X

② Middle bedboard



1X

③ Left and right bedboards



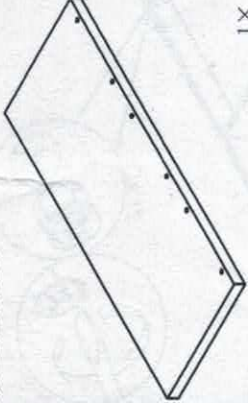
2X

④ Base frame side panel



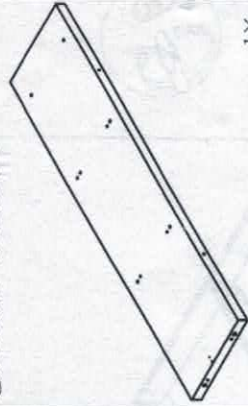
2X

⑤ Base frame back panel



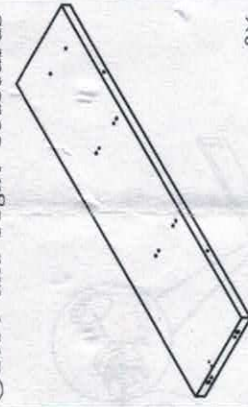
1X

⑥ Base frame front panel



1X

⑦ Bottom frame interplate

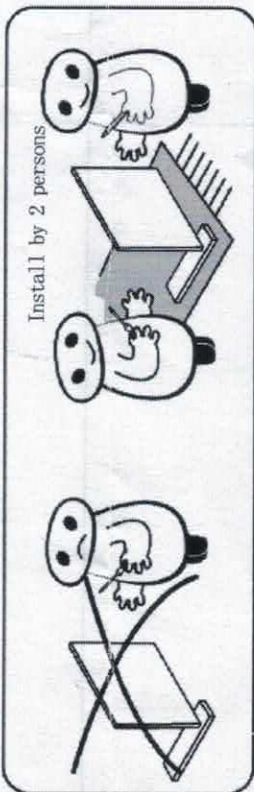


1X

⑧ Bottom frame partition



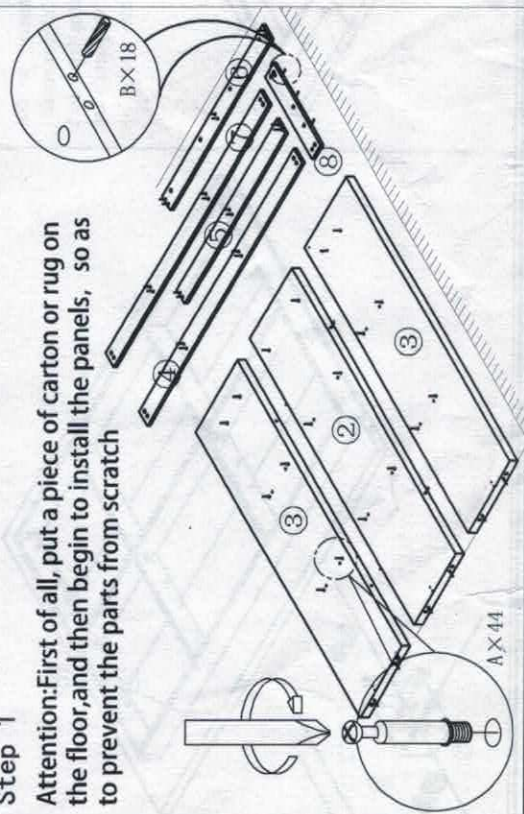
4X



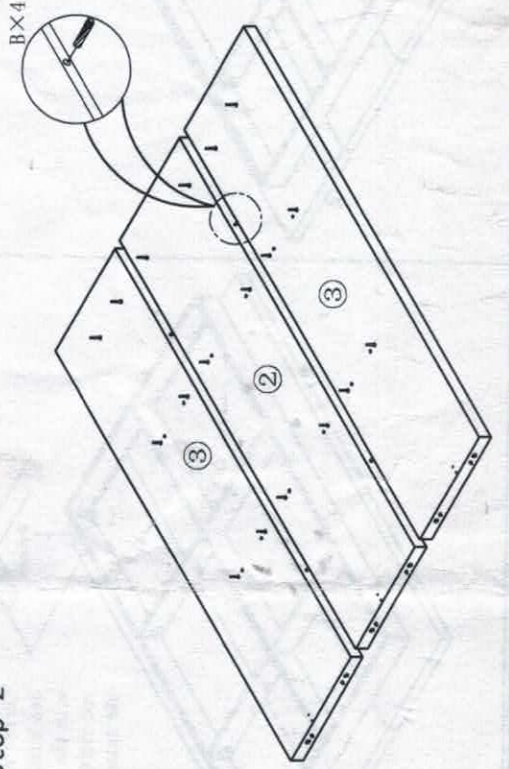
Install by 2 persons

Step 1

Attention: First of all, put a piece of carton or rug on the floor, and then begin to install the panels, so as to prevent the parts from scratch



Step 2



A. Cam pin



46X

C. Cam lock



46X

E. 6W spanner



G. Dual-purpose screwdriver



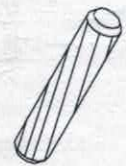
1X

I. Wood screw



40+1X

B. Dowel



22X

D. Chamfered hexagonal machine wire



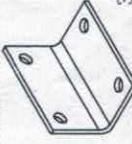
6X

F. Cam cover



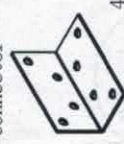
46X

H. Middle corner connector



3X

J. Middle corner connector



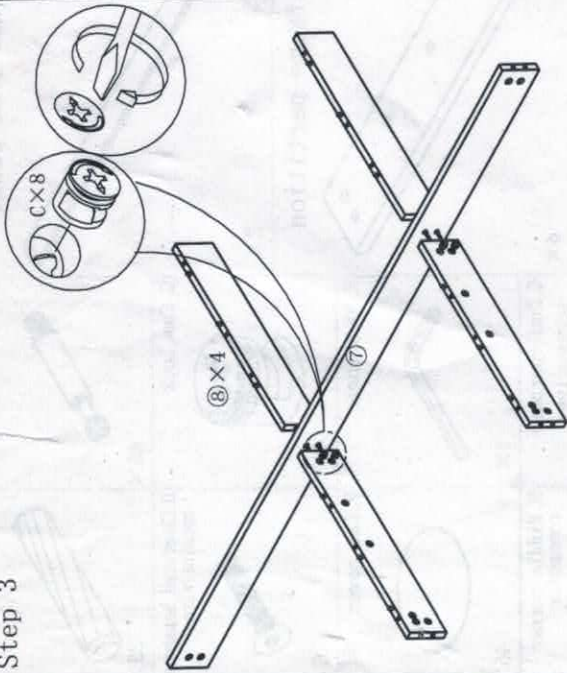
4X

Model GF095-15

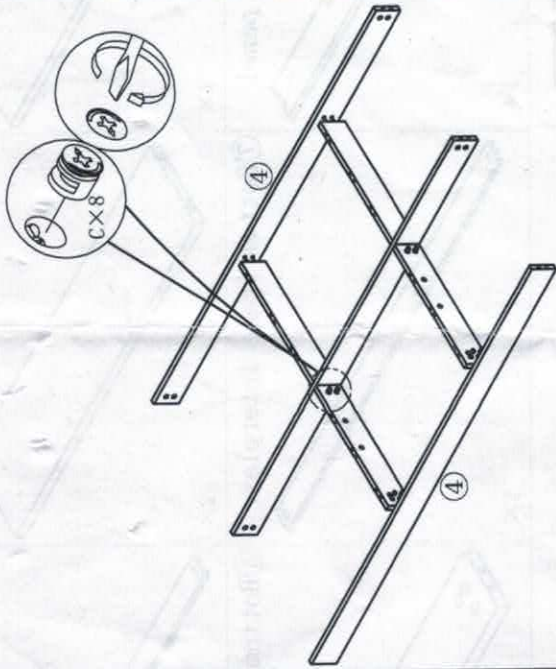
Name Bed

Size 1500W\*2050D\*705H

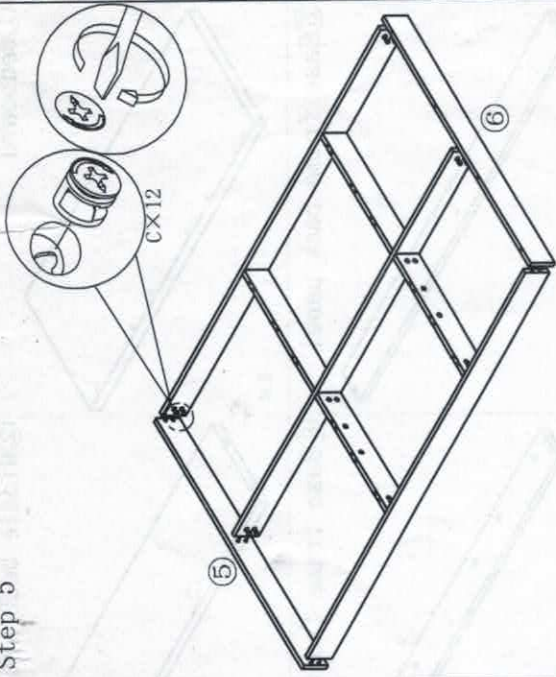
Step 3



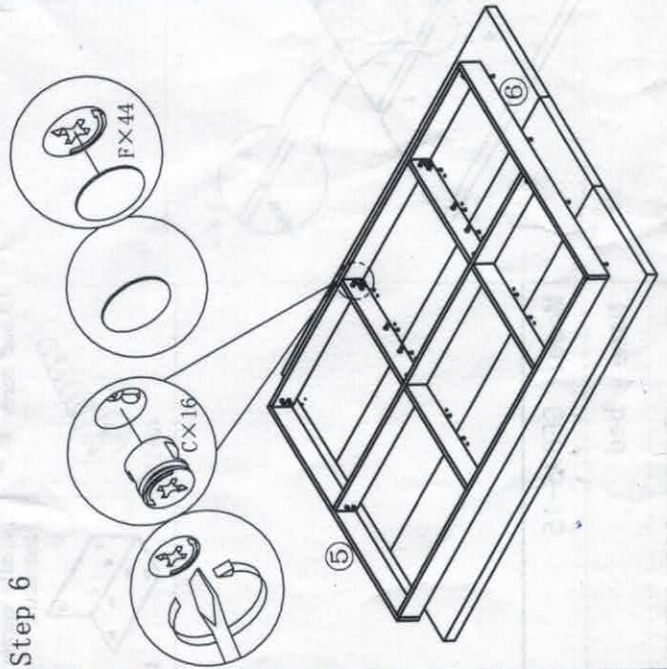
Step 4



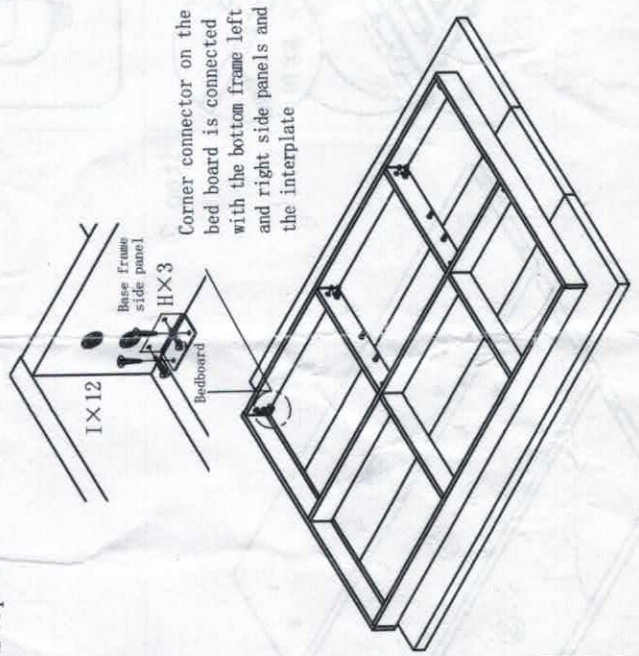
Step 5



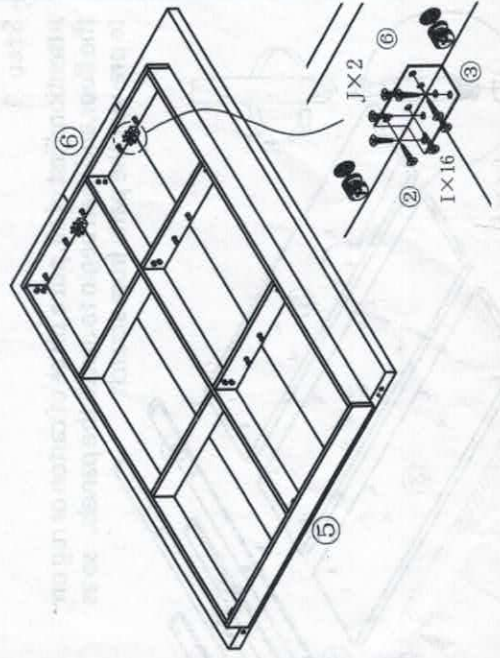
Step 6



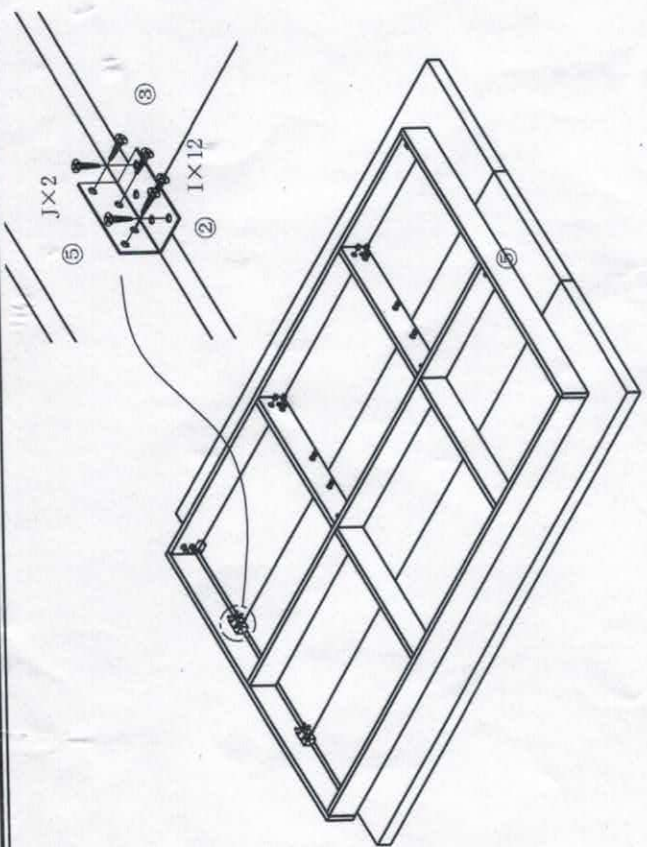
Step 7



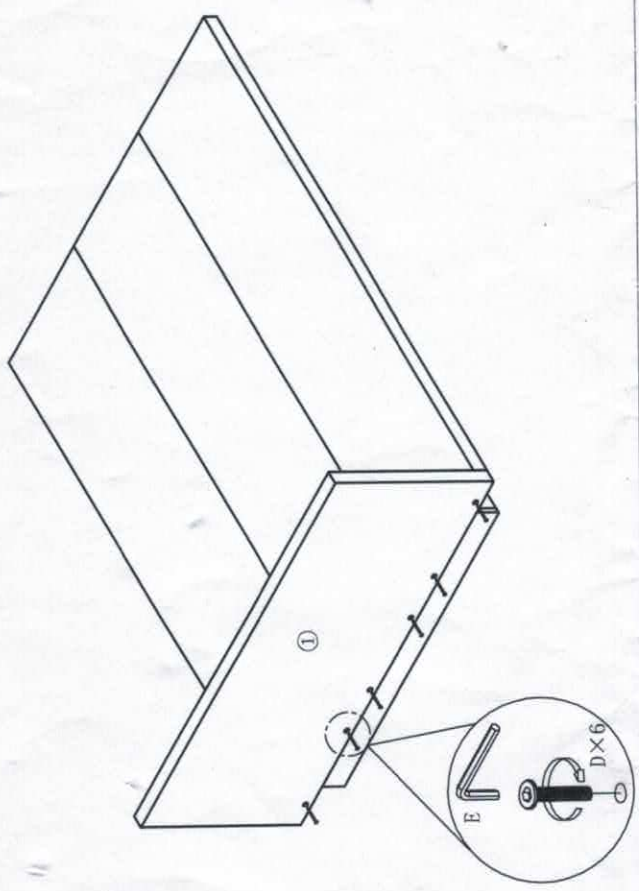
Step 8



Step 9



Step 10



Step 11

