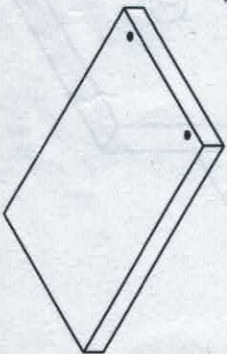
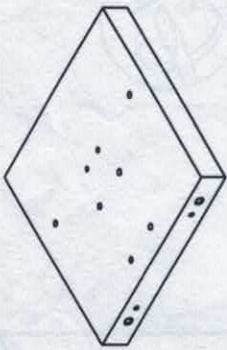


① Bedboard



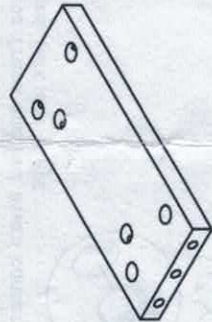
1X

② Bedboard



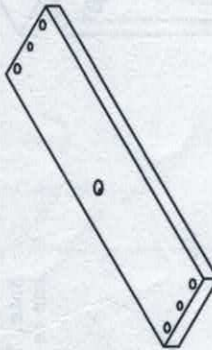
1X

③ Base frame side panel



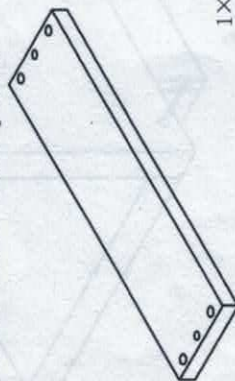
2X

④ Base frame front panel

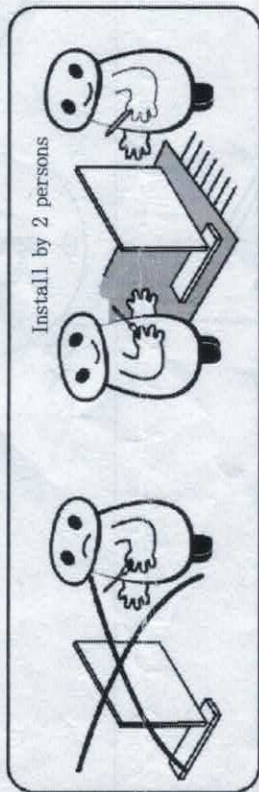


1X

⑤ Base frame back panel



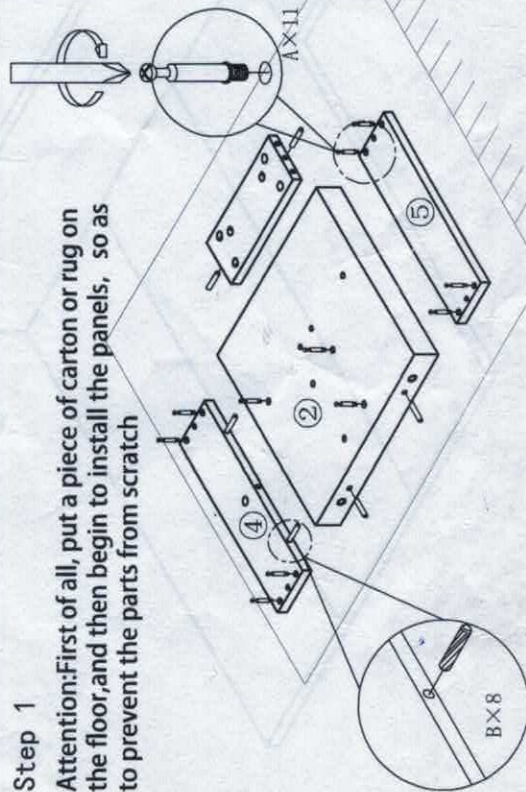
1X



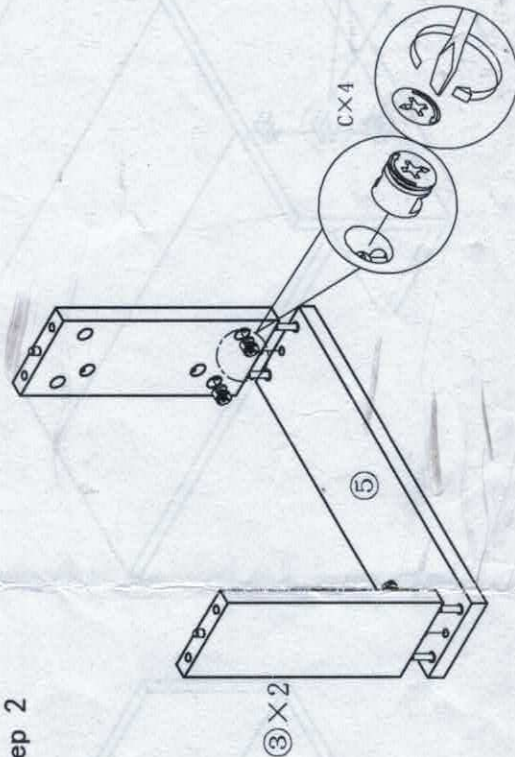
Install by 2 persons

Step 1

Attention: First of all, put a piece of carton or rug on the floor, and then begin to install the panels, so as to prevent the parts from scratch



Step 2



A. Cam pin



11+1X

C. Cam lock



11+1X

E. 6N spanner



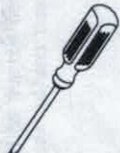
1X

G. Wood screw



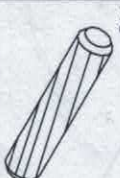
18+2X

I. Telescopic screwdriver



1X

B. Dowel



8X

D. Chamfered hexagonal machine wire



2X

F. Cam cover



11X

H. Connection metal piece



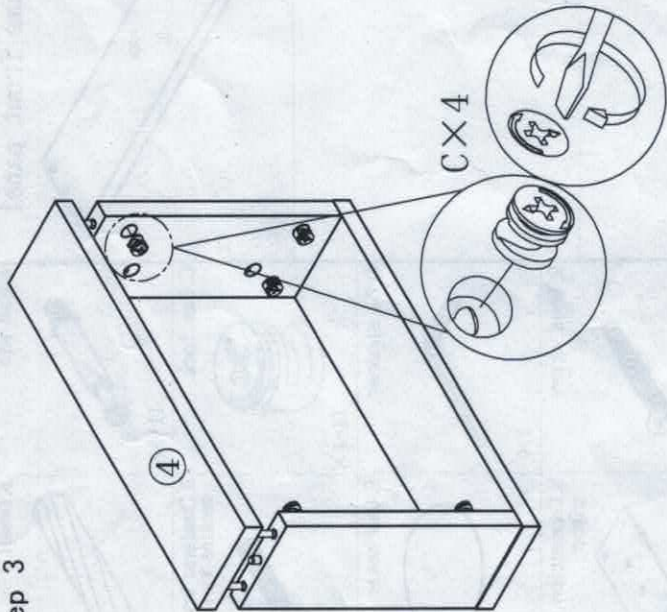
3X

Model GF095-CP0407

Name Side nightstand

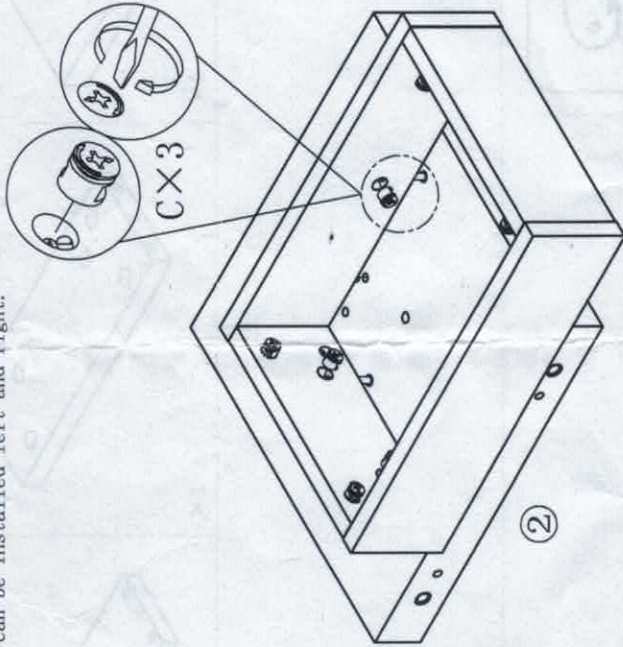
Size 400W*450D*705H

Step 3

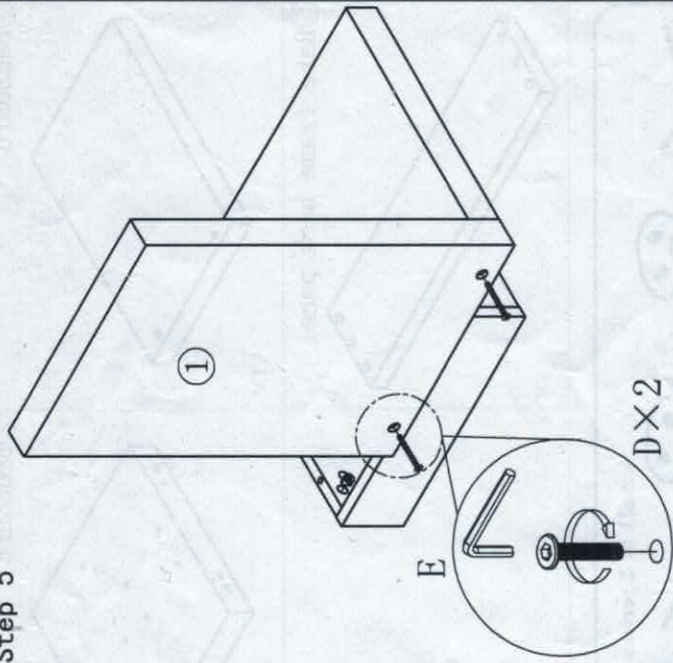


Step 4

Note: The bottom frame and bed board connection can be installed left and right.

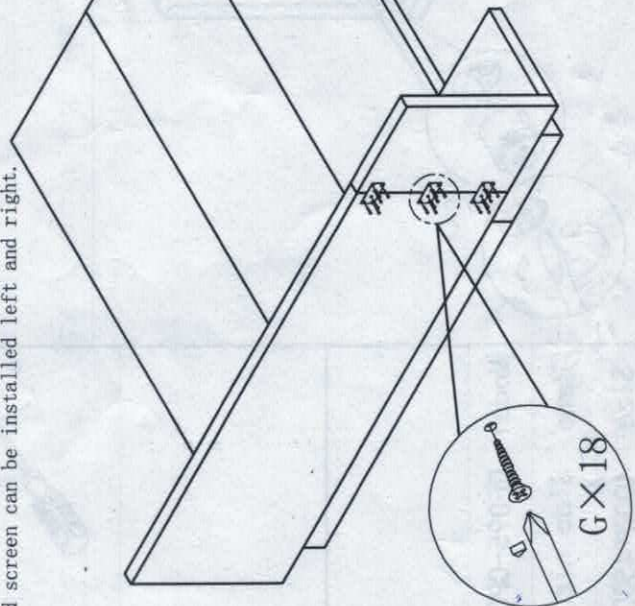


Step 5



Step 6

Note: The side bed screen and bed connection steps are as follows, the side bed screen can be installed left and right.



Step 7

