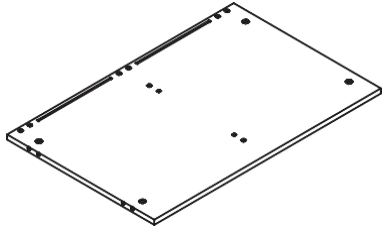
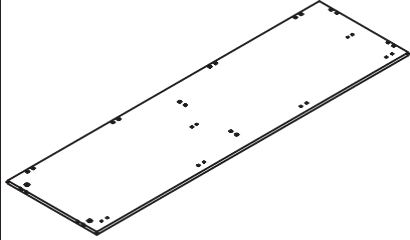
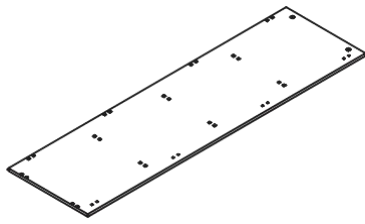
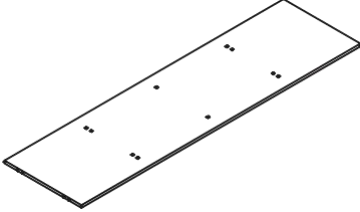
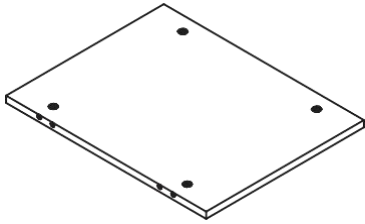
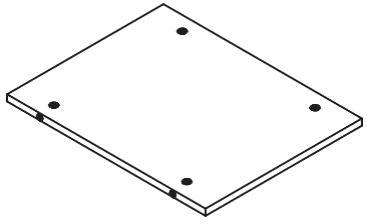
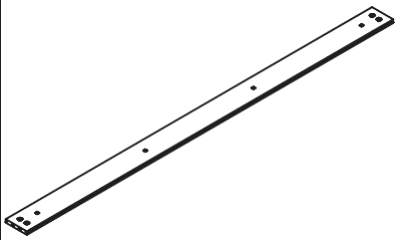
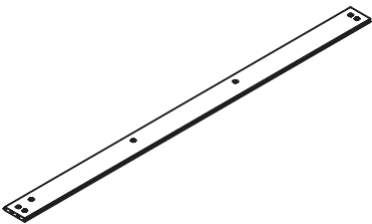
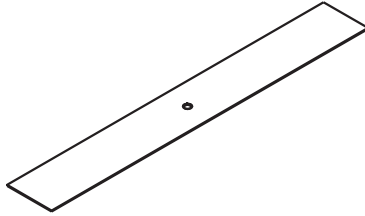
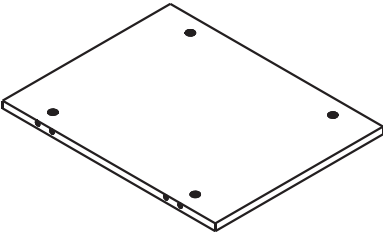
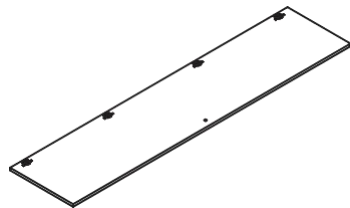
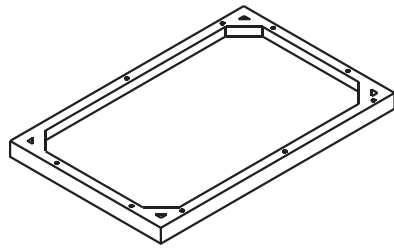

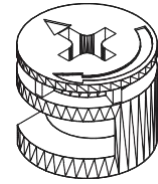
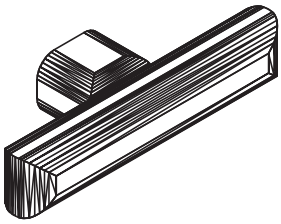
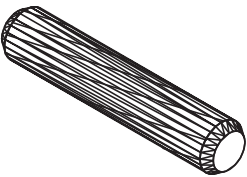
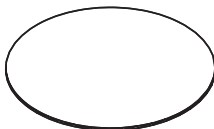
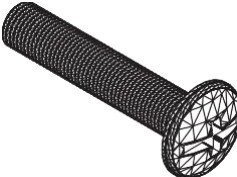
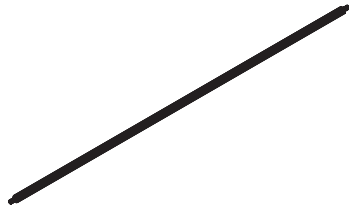
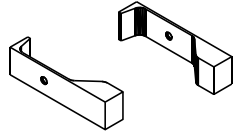


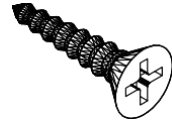
<p>① Top panel</p>  <p>700W*500D*15H</p> <p>1X</p>	<p>② Right side panel</p>  <p>1750W*500D*15H</p> <p>1X</p>	<p>③ Left side panel</p>  <p>1750W*500D*15H</p> <p>1X</p>	<p>④ Center vertical panel</p>  <p>1735W*479D*15H</p> <p>1X</p>	<p>⑤ Left solid panel 1</p>  <p>377.5W*478D*15H</p> <p>2X</p>
<p>⑥ Right solid panel</p>  <p>377.5W*478D*15H</p> <p>1X</p>	<p>⑦ Back framework panel 1</p>  <p>1735W*100D*15H</p> <p>1X</p>	<p>⑧ Back framework panel 2</p>  <p>1735W*100D*15H</p> <p>2X</p>	<p>⑨ Back panel</p>  <p>1735W*245D*5H</p> <p>2X</p>	<p>⑩ Left solid panel 2</p>  <p>377.5W*478D*15H</p> <p>1X</p>
<p>⑪ Door panel</p>  <p>1147W*398D*15H</p> <p>2X</p>	<p>⑫ Bottom panel</p>  <p>802W*517D*50H</p> <p>1X</p>	<p>A、Cam pin</p>  <p>48+1X</p>	<p>B、Cam lock</p>  <p>φ15/Eccentric/White zinc 48+2X</p>	<p>C、T-shape pull handle</p>  <p>A7407/Copper brush wire/Kai Yi 2X</p>
<p>D、Dowel</p>  <p>8*40</p> <p>36X</p>	<p>E、Cam cover</p>  <p>48X</p>	<p>F、Puller screw</p>  <p>4*20</p> <p>2X</p>	<p>G、Clothes rail</p>  <p>扁H=370.5</p> <p>2X</p>	<p>Model   GF795-0805</p> <p>Size   802W*517D*1800H</p>

H. Hanging bracket



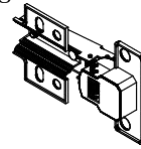
4X

I. Japanese-made nails



56+2X

J. Straight-curved hinge



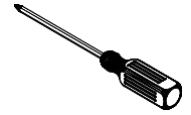
8X

K. Double-headed connecting rod



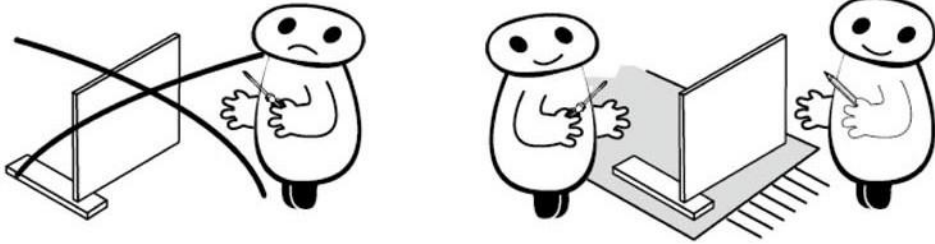
2X

L. Screwdriver



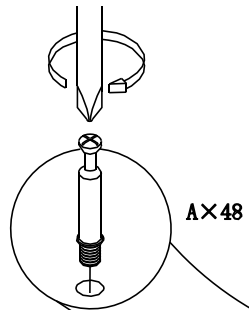
1X

Install by 2 persons

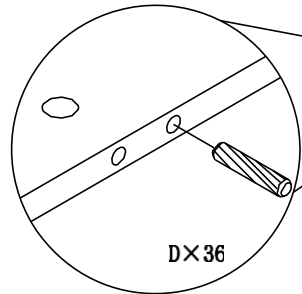


Step 1

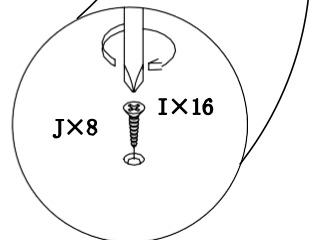
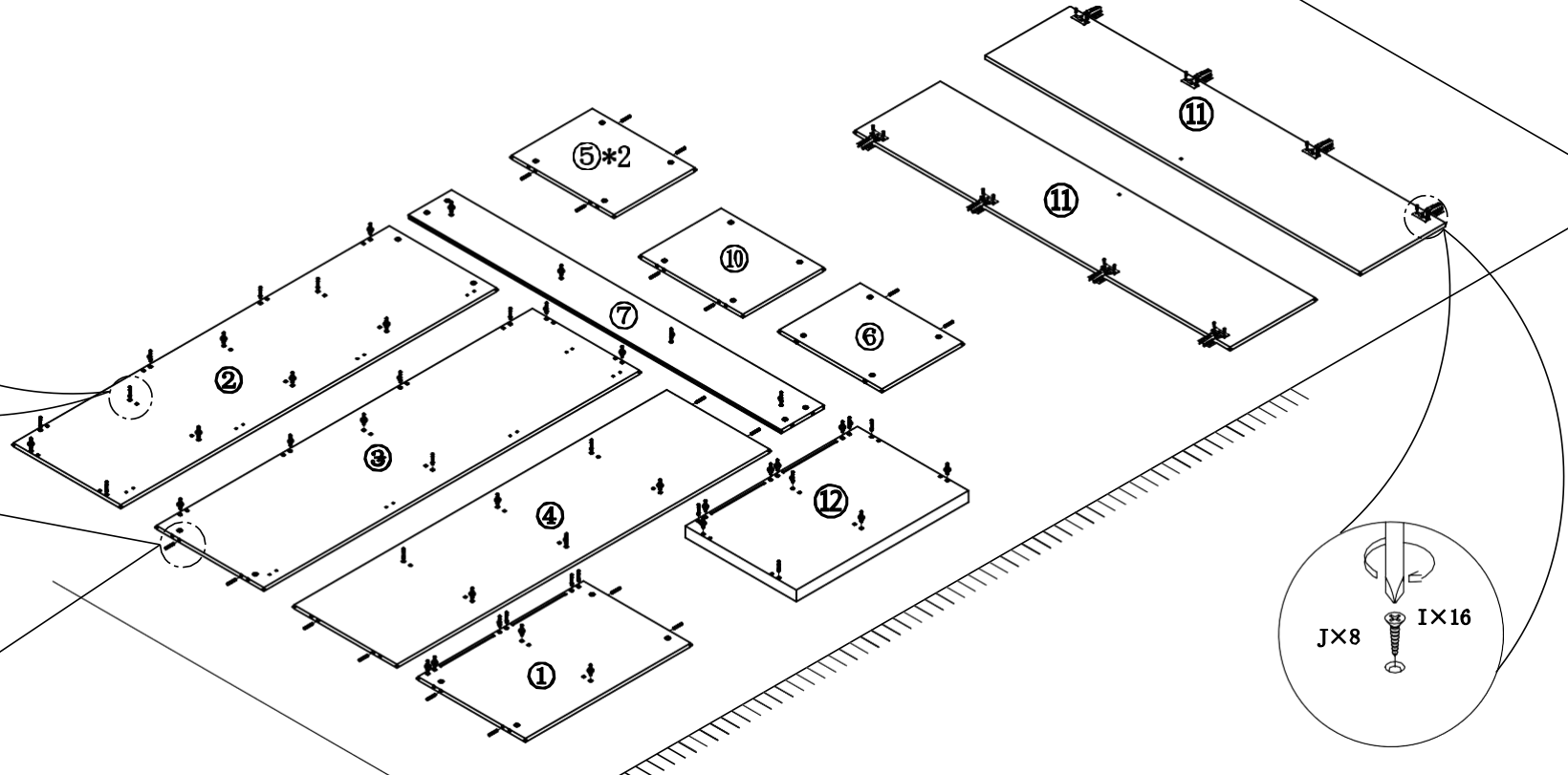
Attention: First of all, put a piece of carton or rug on the floor, and then begin to install the panels, so as to prevent the parts from scratch



A x 48

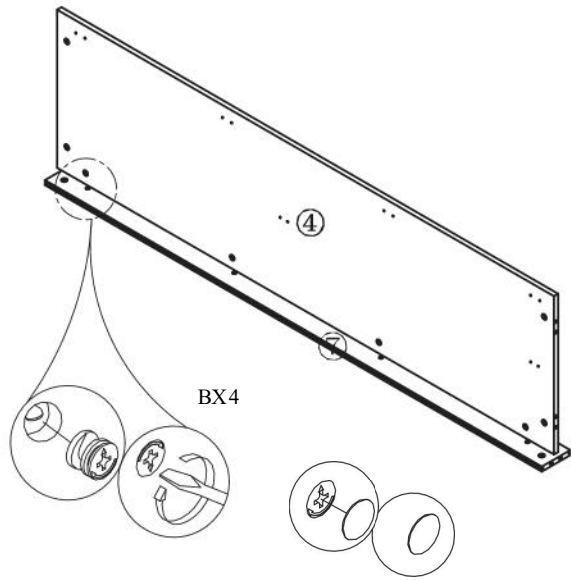


D x 36

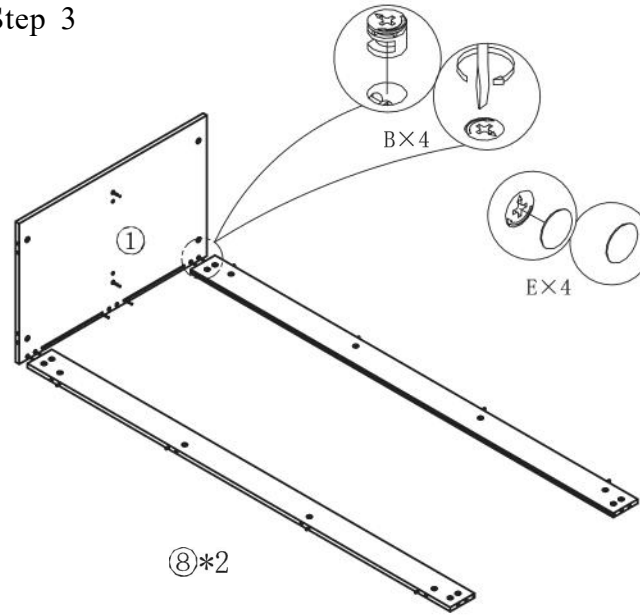


J x 8 I x 16

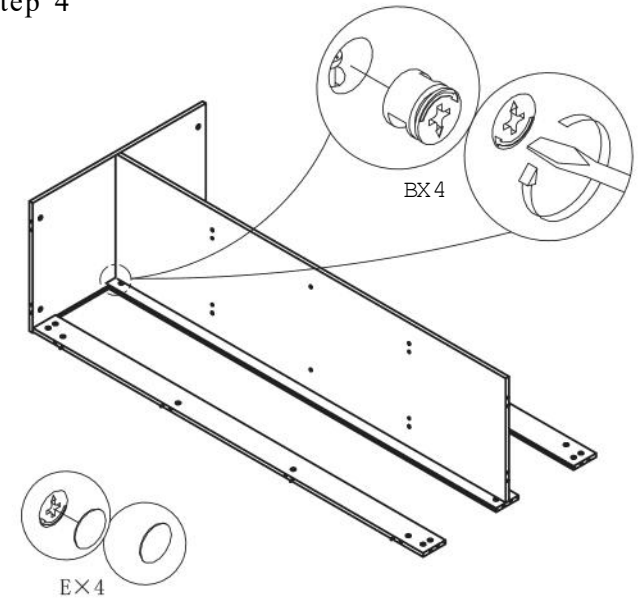
Step 2



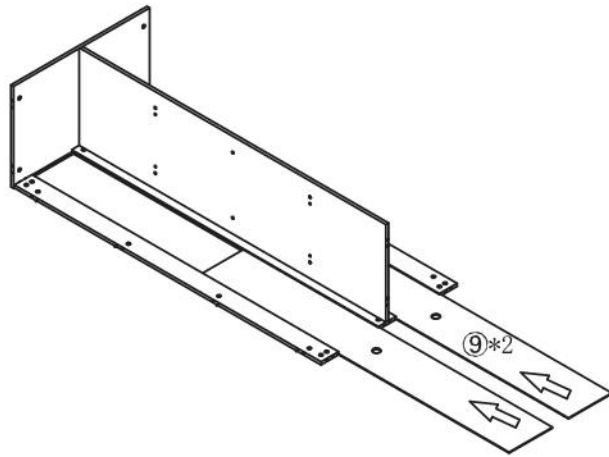
Step 3



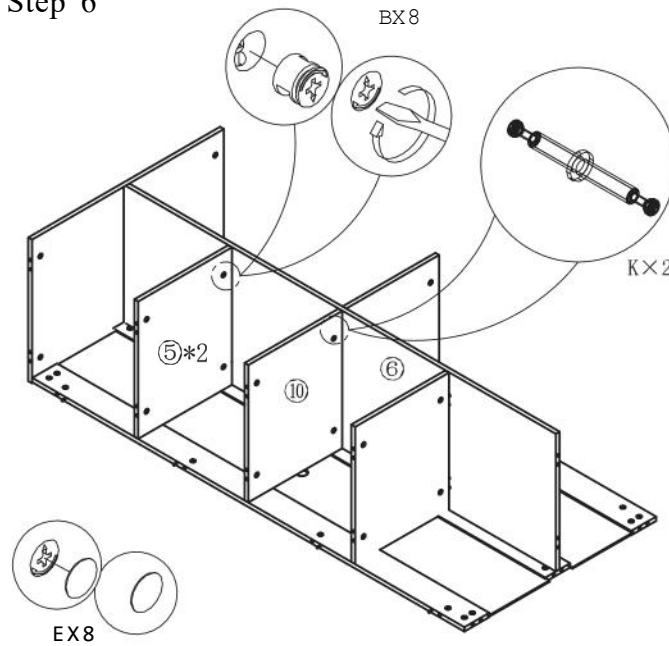
Step 4



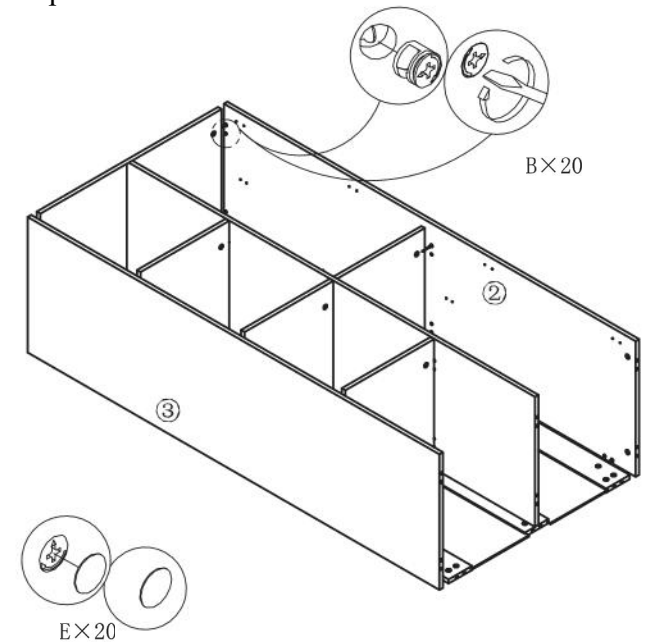
Step 5



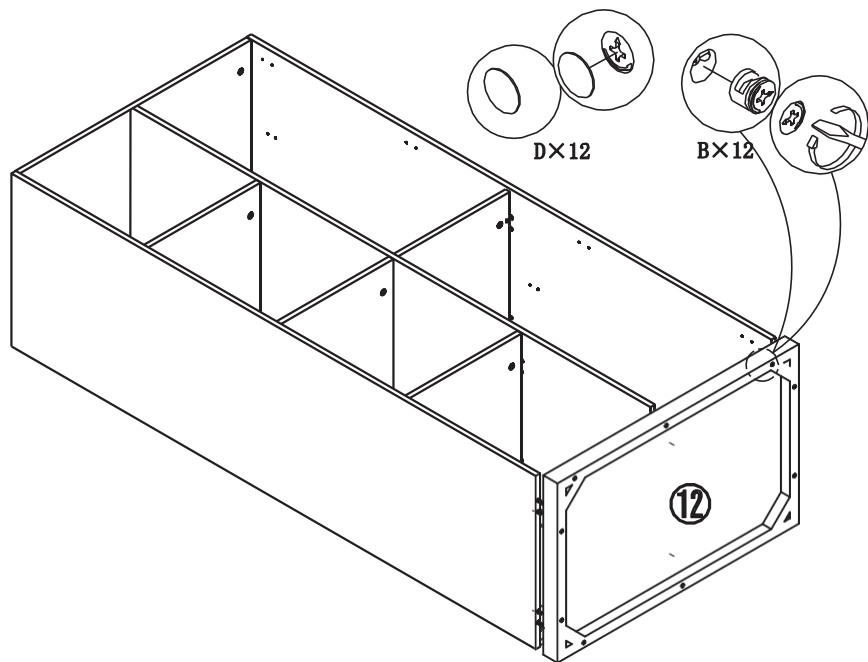
Step 6



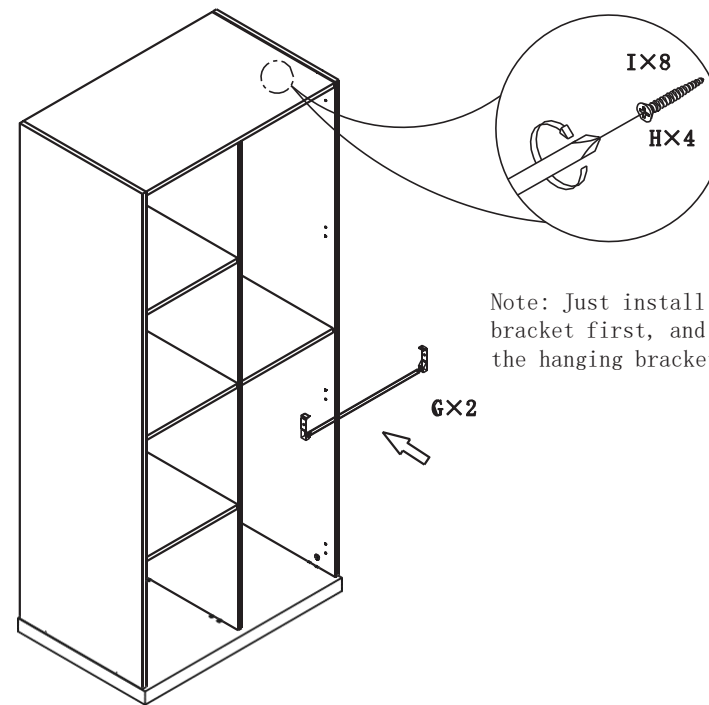
Step 7



Step 8

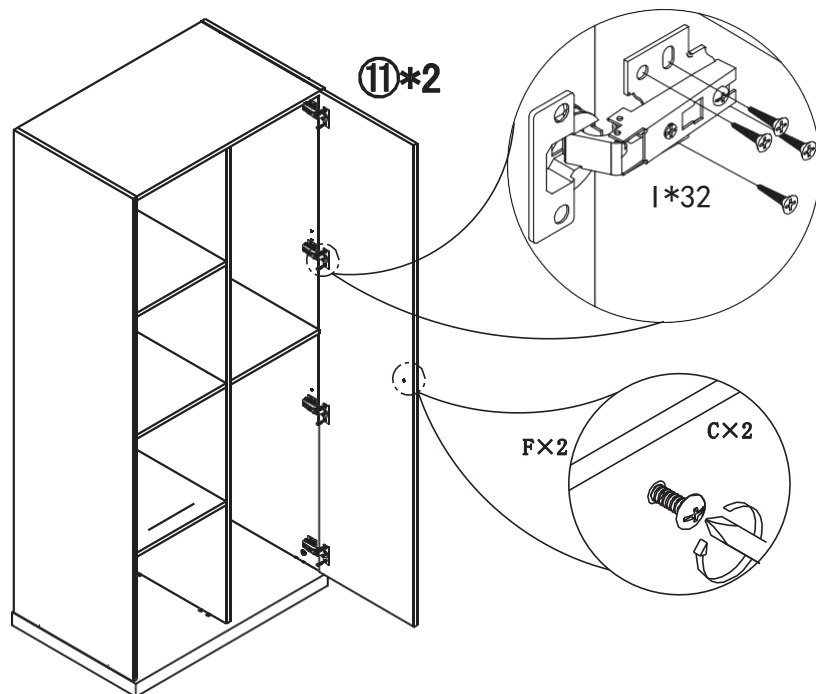


Step 9



Note: Just install the hanging bracket first, and then install the hanging bracket rod on it.

Step 10



Step 11

