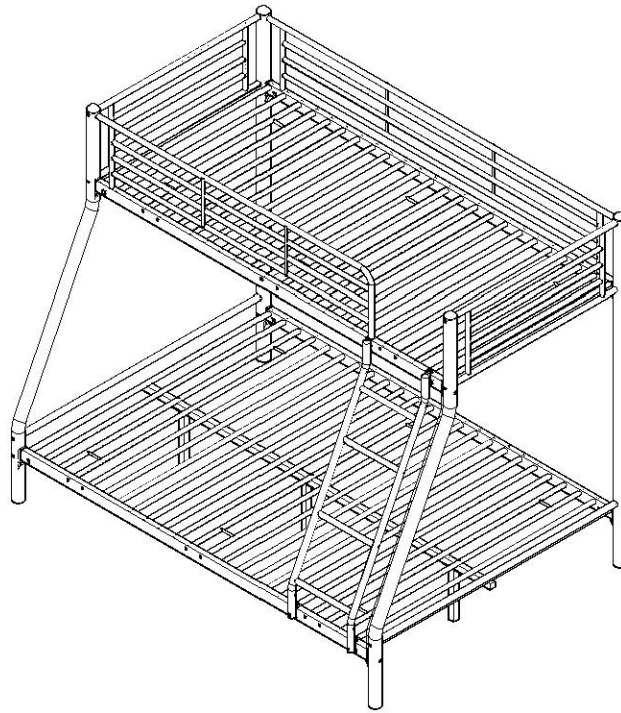
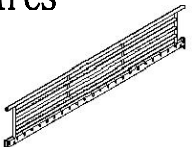
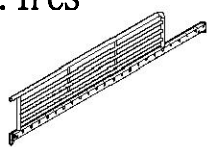
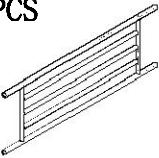




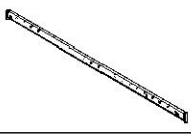
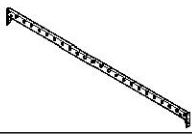
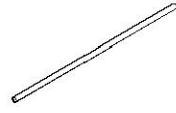
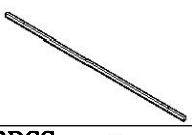
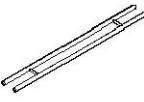

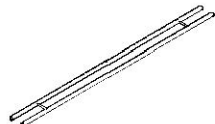
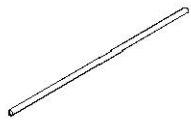


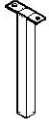






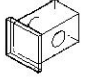







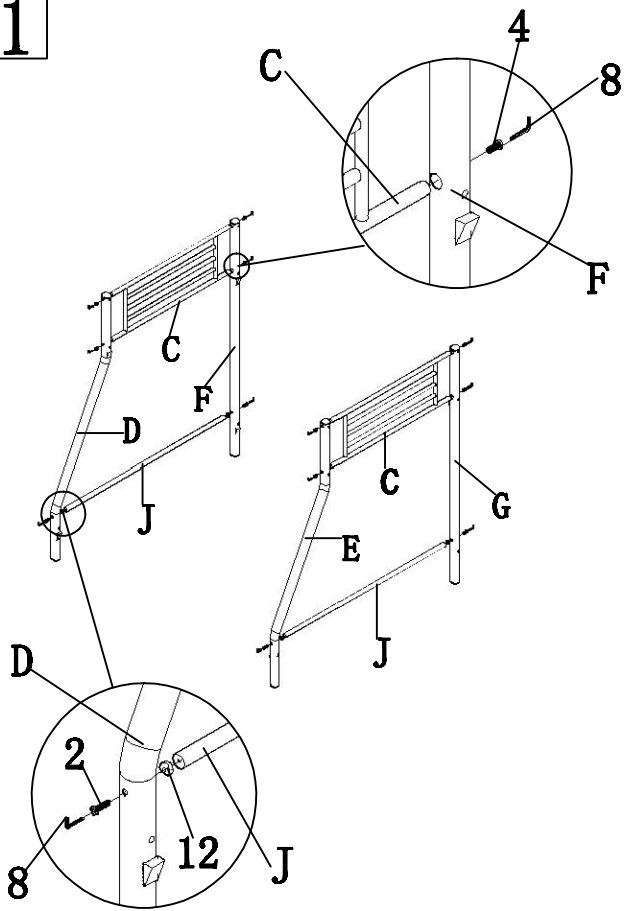
ASSEMBLY INSTRUCTION



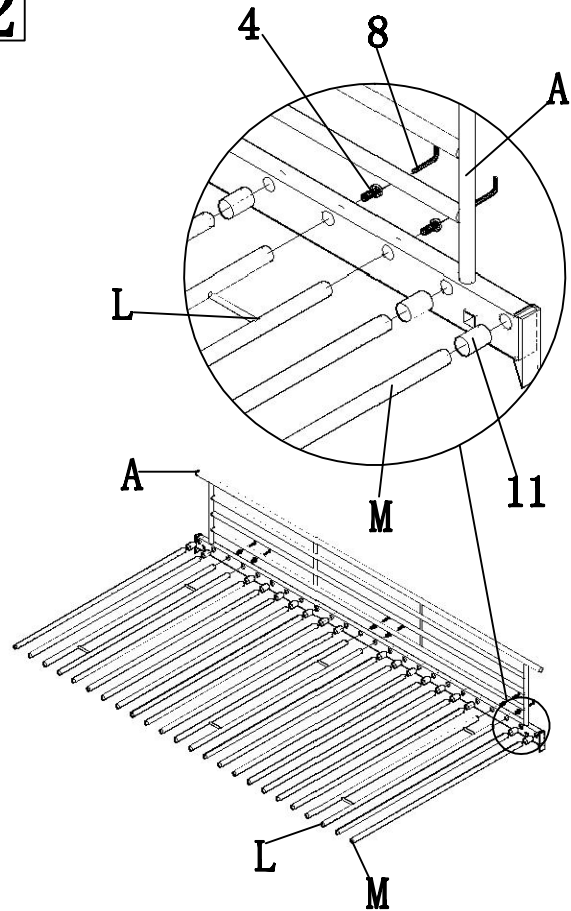
A. 1PCS 	B. 1PCS 	C. 2PCS 	D. 1PCS 	E. 1PCS 
F. 1PCS 	G. 1PCS 	H. 1PCS 	I. 1PCS 	J. 2PCS 
K. 1PCS 	L. 3PCS 	M. 18PCS 	N. 3PCS 	O. 18PCS 
P. 2PCS 	Q. 4PCS 	R. 3PCS 	1. M8*110 8PCS 	2. M6*65 9PCS 
3. M6*60 5PCS 	4. M6*16 32PCS 	5. M6*35 11PCS 	6. M6 10PCS 	7. M8 8PCS 
8. M5 1PCS 	9. M10 1PCS 	10. 2PCS 	11. 72PCS 	12. 4PCS 

ASSEMBLY INSTRUCTION

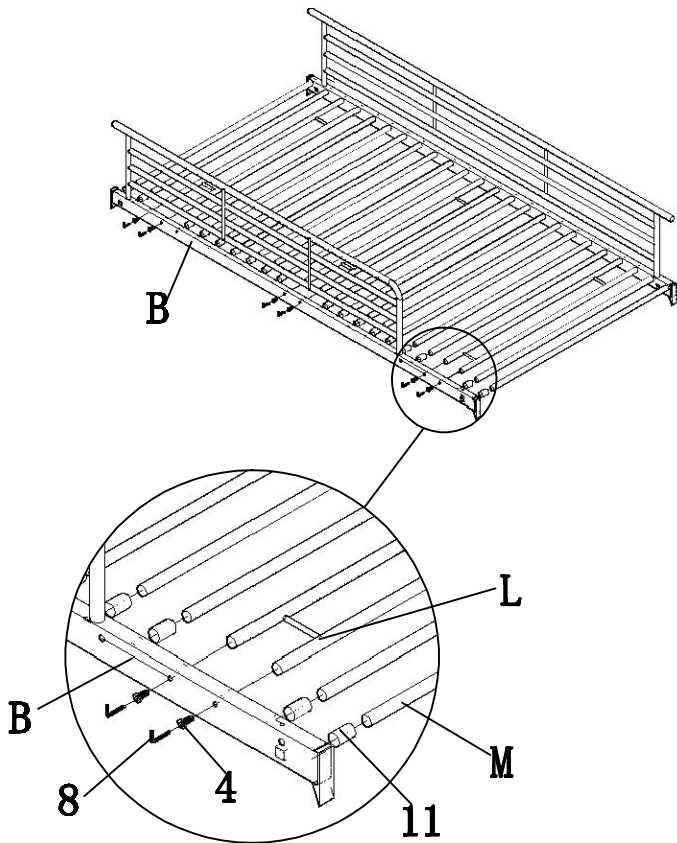
1



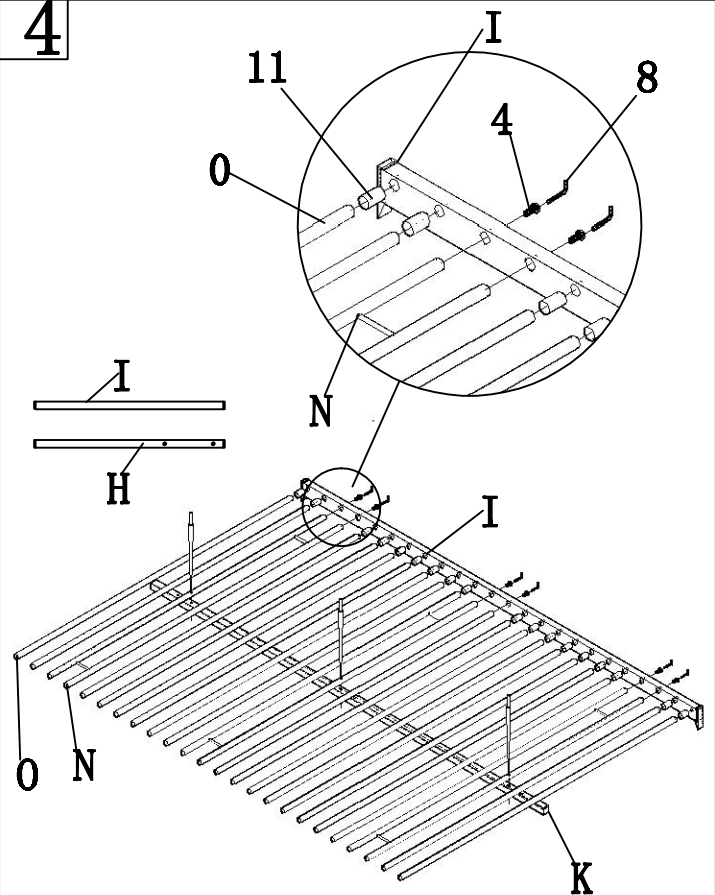
2



3

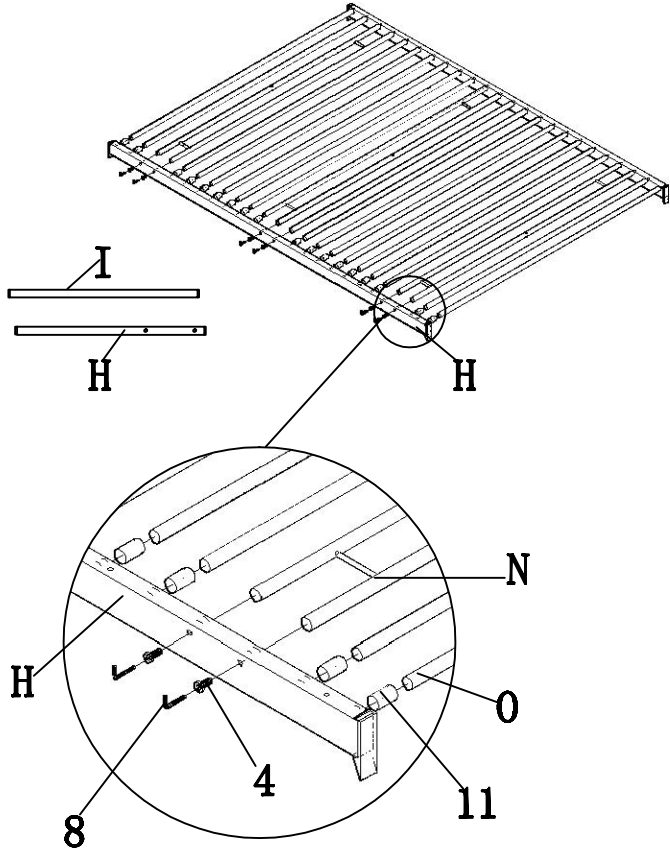


4

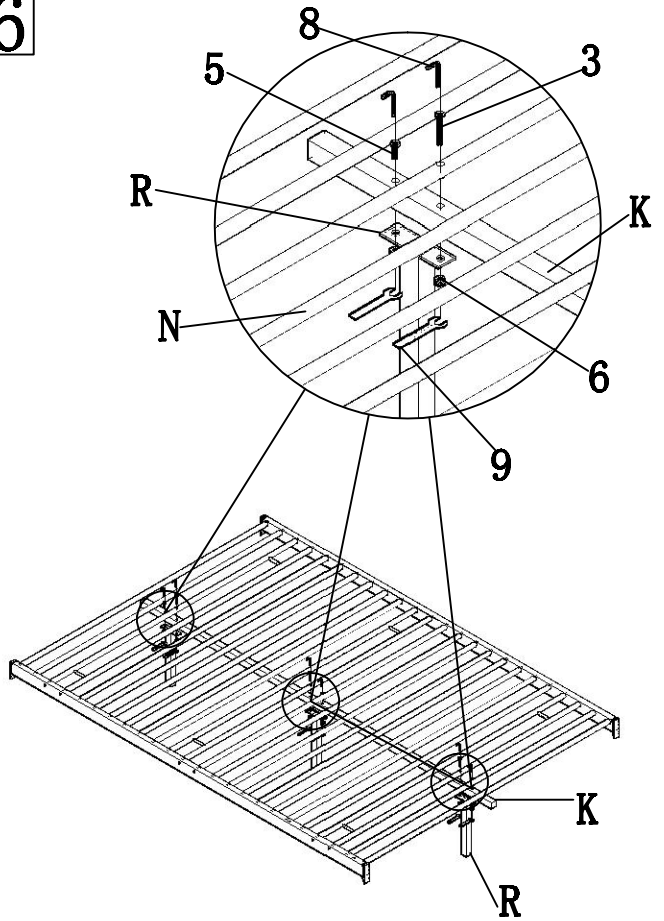


ASSEMBLY INSTRUCTION

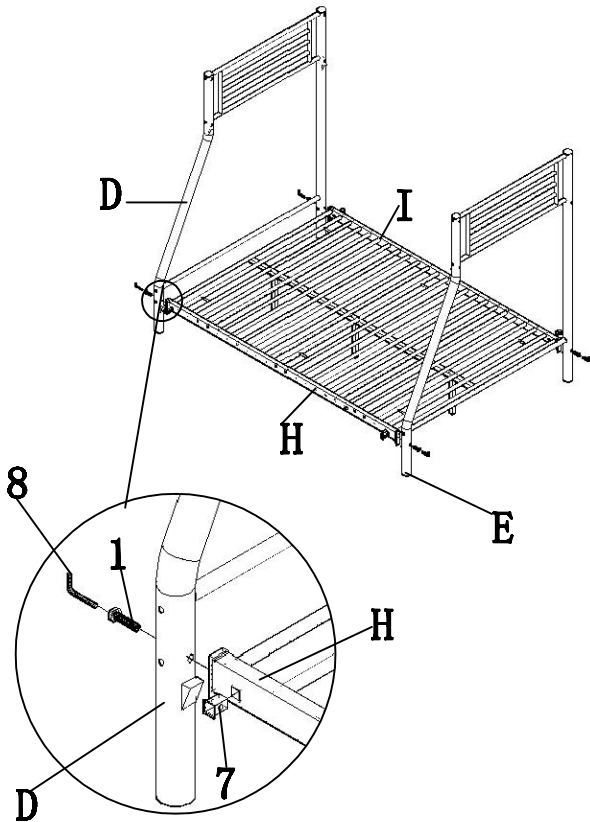
5



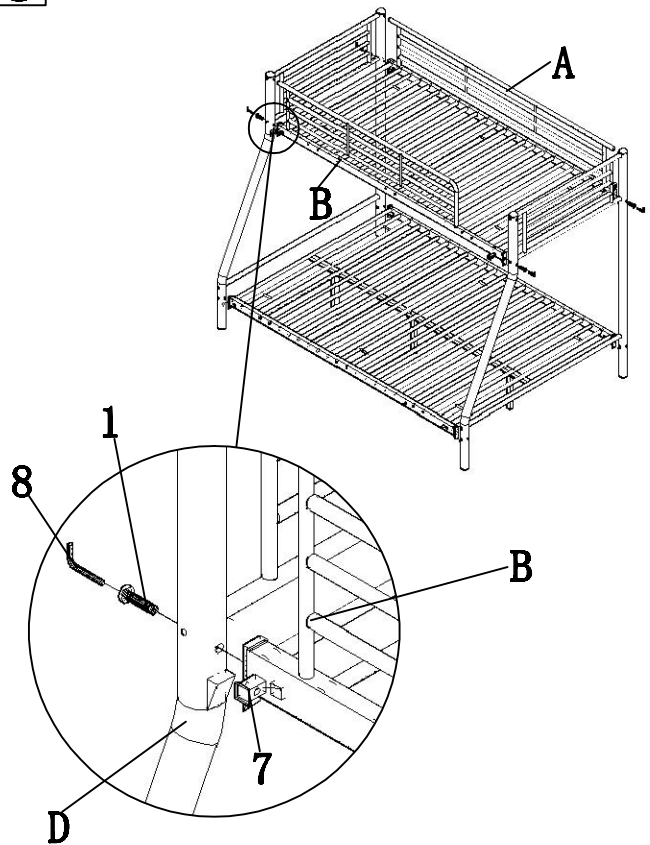
6



7

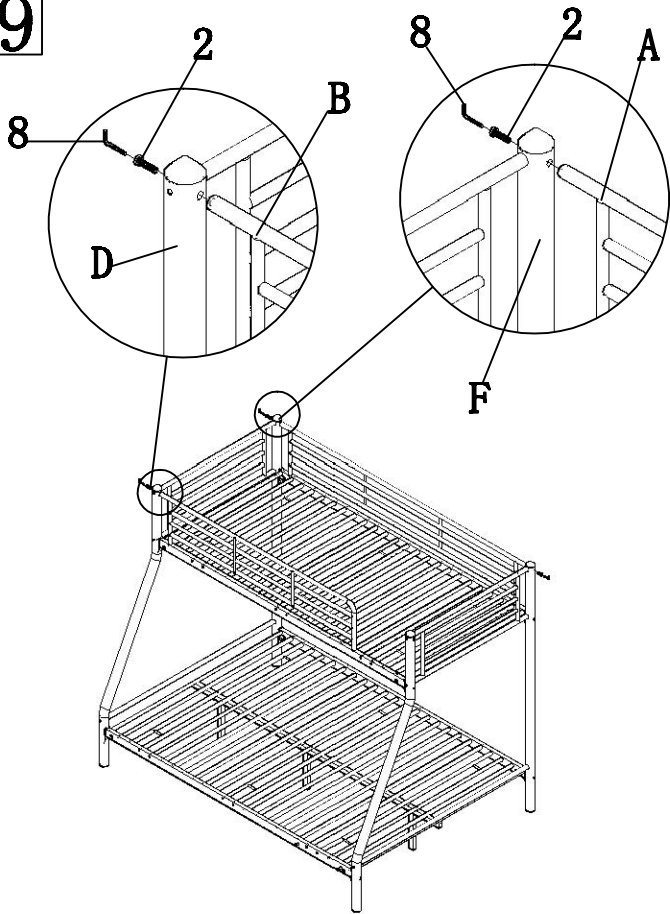


8

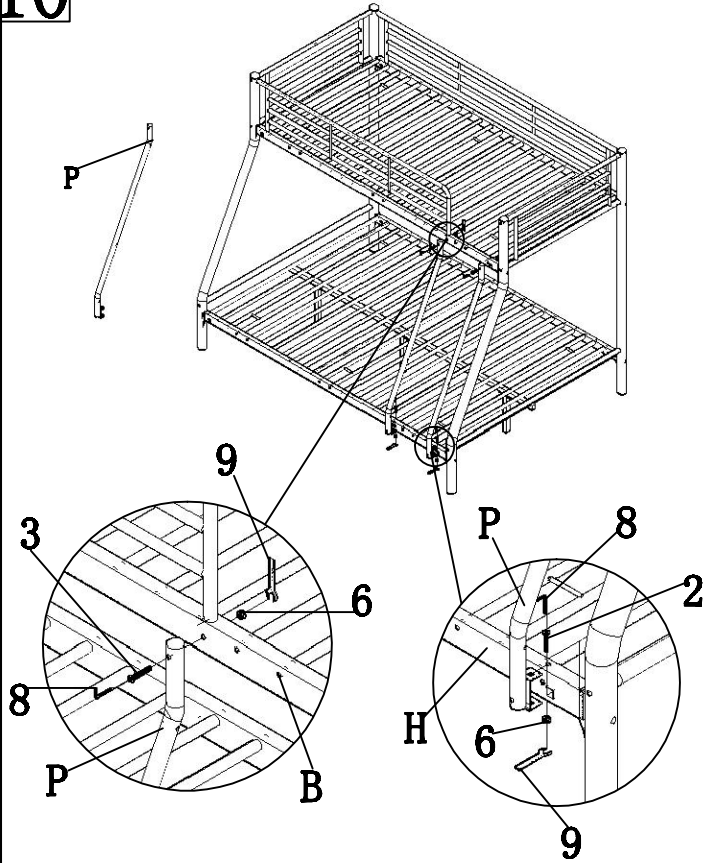


ASSEMBLY INSTRUCTION

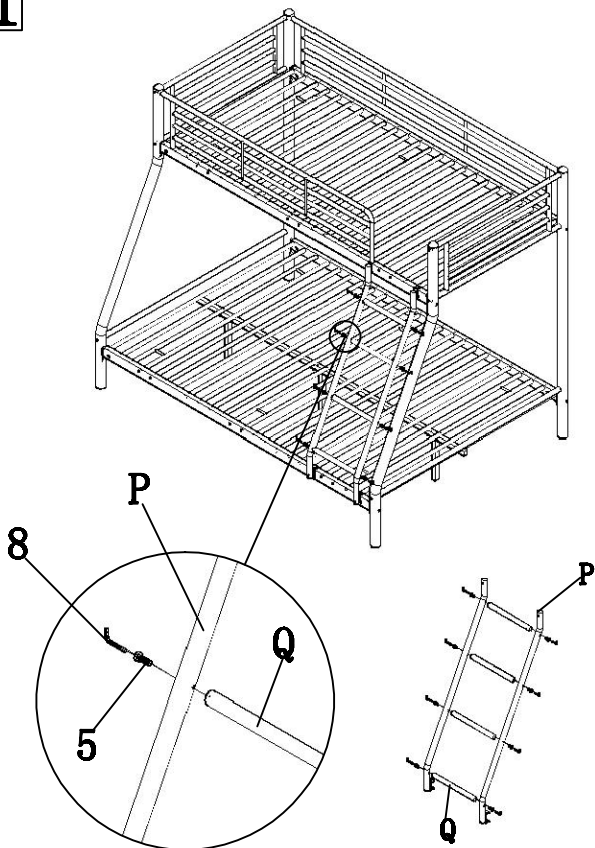
9



10



11



12

