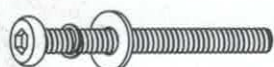


A x 4



B x 6



C x 1



D x 1



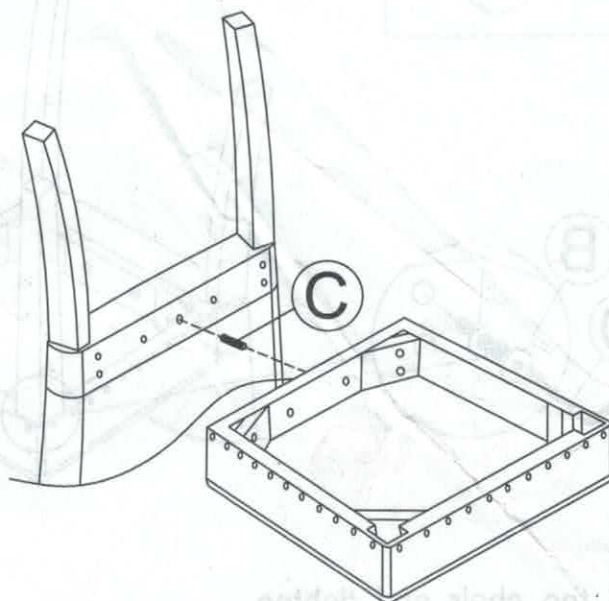
NOTE: UNIT SHOULD BE ASSEMBLED BY TWO OR MORE PEOPLE.  
DO NOT TIGHTEN ANY BOLTS UNTIL ALL BOLTS HAVE BEEN STARTED!



注意：产品应由两个或两个以上人员组装。  
在产品组装过程中，不要锁紧螺栓。

1

C x 1

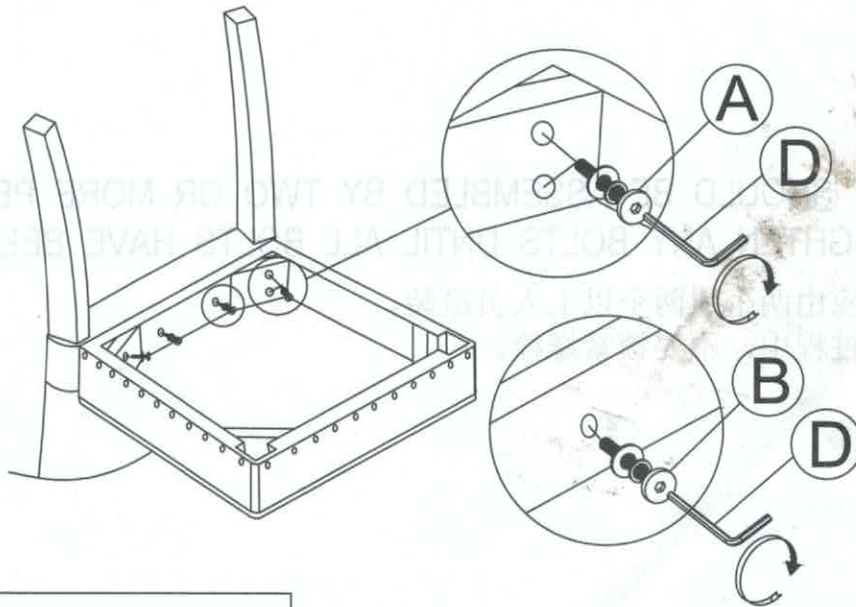
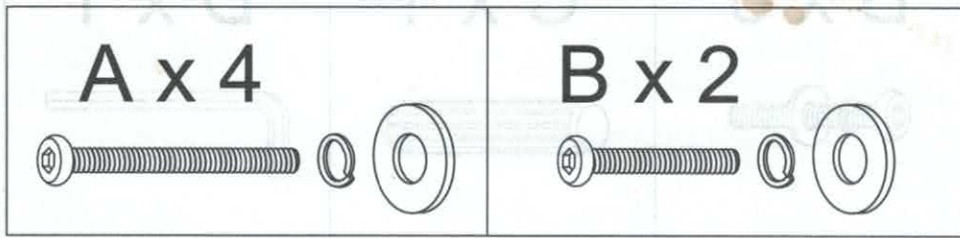


NOTE: Level the chair and tighten all bolts with the allen wrench.

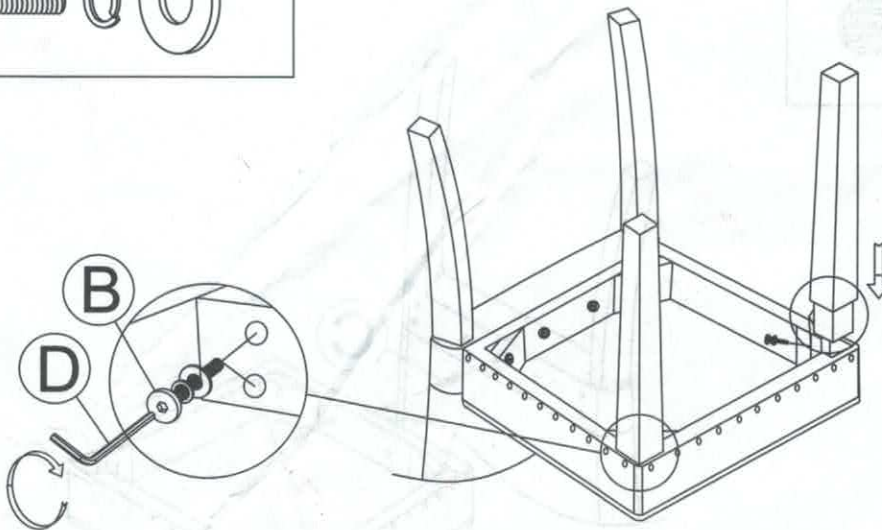
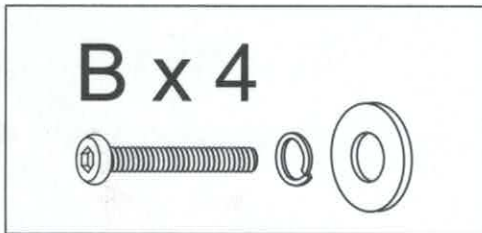
注意：如果椅子不稳，请用大号扳手拧紧所有螺栓。



2



3



NOTE: Level the chair and tighten all bolts with the allen wrench.



注意：如果发现椅子不稳，  
请用内六角扳手拧紧所有螺杆。