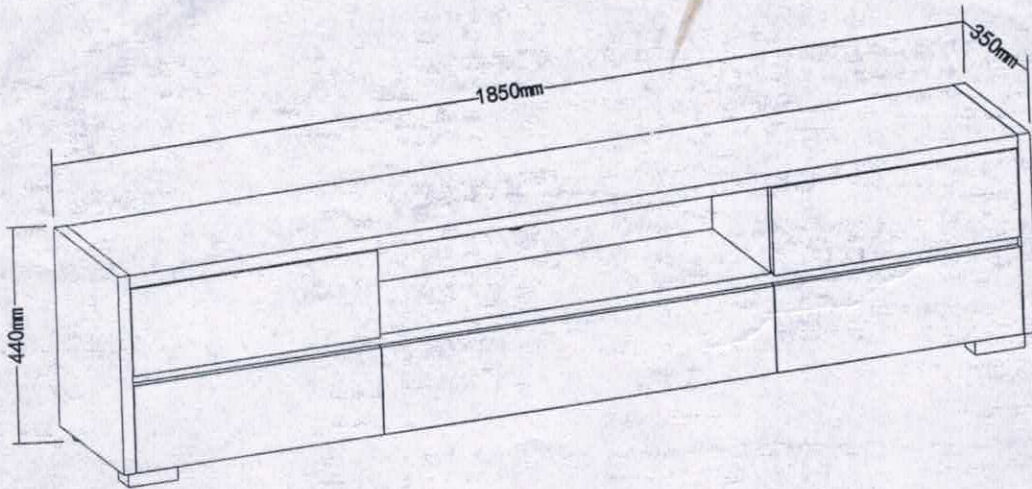


PRODUCT NAME

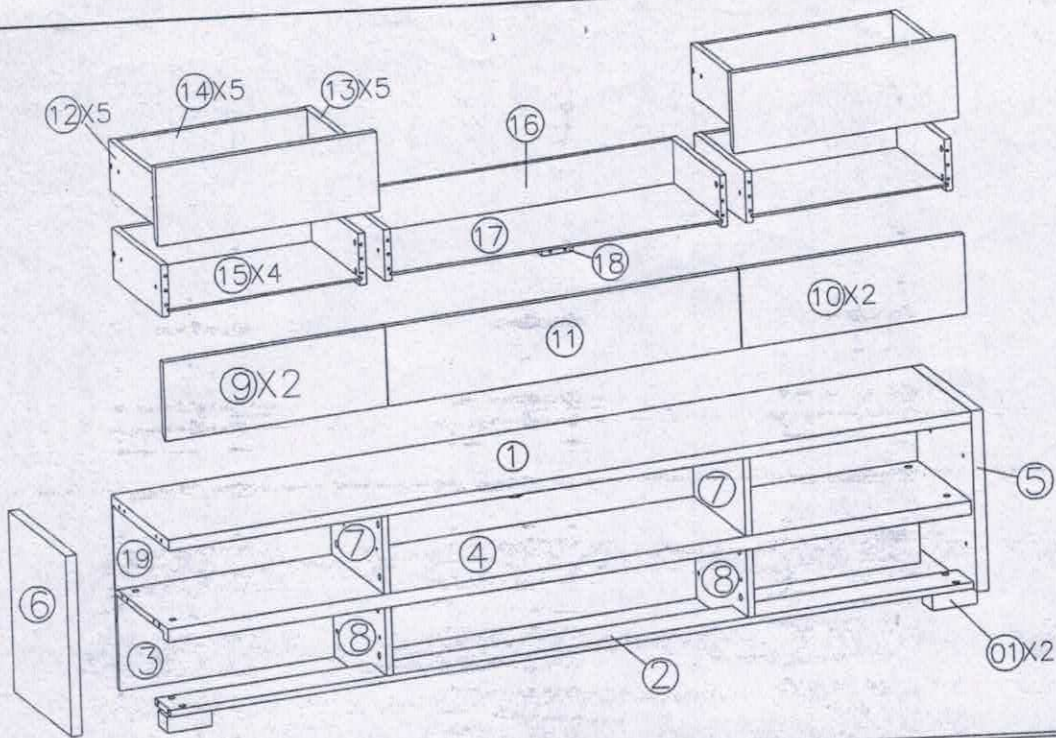
NORTHSHORE 185 Entertainment Unit



EN







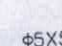
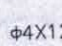




1. Identify the parts which make up your piece of furniture.
  2. Gather the hardware parts and count them.
  3. Have the necessary assembly tools ready.
  4. Organize a space for assembly, wall carpeting or a blanket will protect the furniture against scratches.
  5. Never force the assembling while you put the parts together. You are recommended to tighten the screws after the furniture has been used for some time.
  6. After assembling this product, it is advisable to regularly ventilate the room for a few days.
- KEEP THE ASSEMBLY INSTRUCTION. THE RELEVANT INFORMATION YOU CAN FIND ON IT WILL HELP YOU GET IN TOUCH WITH YOUR STORE IF A PART WAS TO BE MISSING.





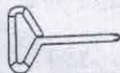
| No. | Size        | Qty | Ctn no. |
|-----|-------------|-----|---------|
| 1   | 1800*350*25 | 1   | 2-1     |
| 2   | 1800*96*15  | 1   | 2-1     |
| 3   | 1800*214*12 | 1   | 2-1     |
| 4   | 1800*330*30 | 1   | 2-1     |
| 5   | 405*350*25  | 1   | 2-2     |
| 6   | 405*350*25  | 1   | 2-2     |
| 7   | 311*181*15  | 3   | 2-2     |
| 8   | 314*214*15  | 1   | 2-2     |
| 9   | 498*178*15  | 2   | 2-1     |
| 10  | 498*178*15  | 2   | 2-1     |
| 11  | 795*178*15  | 1   | 2-1     |
| 12  | 300*116*15  | 5   | 2-2     |
| 13  | 300*116*15  | 5   | 2-2     |
| 14  | 428*116*15  | 4   | 2-2     |
| 15  | 436*290*5   | 4   | 2-2     |
| 16  | 743*116*15  | 1   | 2-1     |
| 17  | 751*290*5   | 1   | 2-1     |
| 18  | 282*70*12   | 1   | 2-2     |
| 19  | 1808*189*5  | 1   | 2-1     |
| 01  | 100*55*35   | 2   | 2-2     |

## HARDWARE LIST

|   |   |  |   |  |   |  |  |
|---|---|--|---|--|---|--|--|
| 101x40<br><br>φ6x30mm | 102x26<br><br>φ15*12mm | 103x26<br><br>φ7*32.5mm | 104x30<br><br>φ12*10mm | 105x30<br><br>φ6*19.5mm | 106x12<br><br>φ10 | 107x12<br><br>φ5x50mm | 108x50<br><br>φ4x12mm |
| 109x5<br><br>L=300mm  | 110x4<br><br>M6x35     | 111x6<br><br>φ12*5      | 112x1<br>              |  |   |  |  |



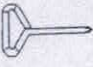

OUTILLAGE:  
TOOLS:

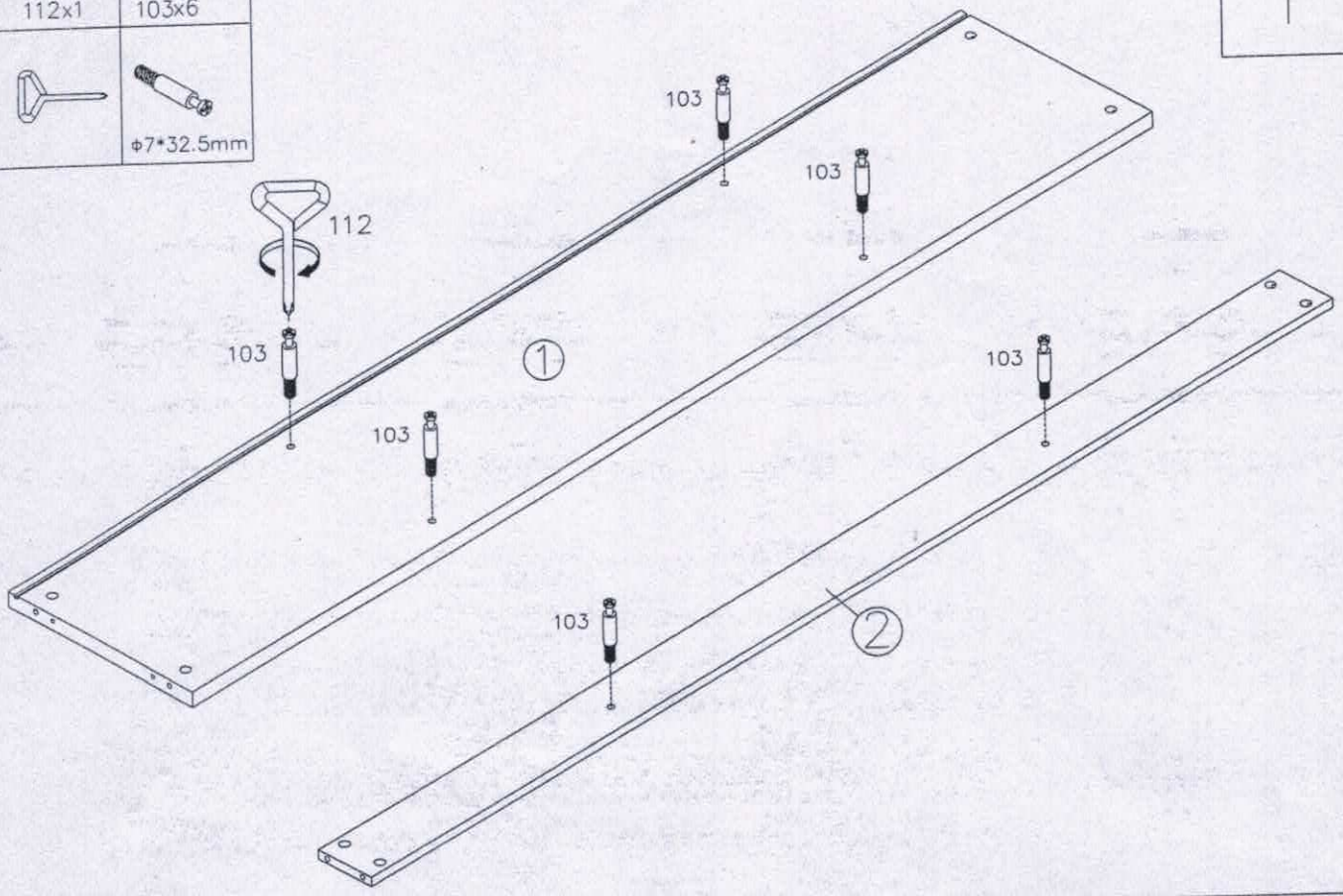


A SOFT CLOTH IS SUITABLE FOR PRODUCT CARE.

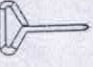




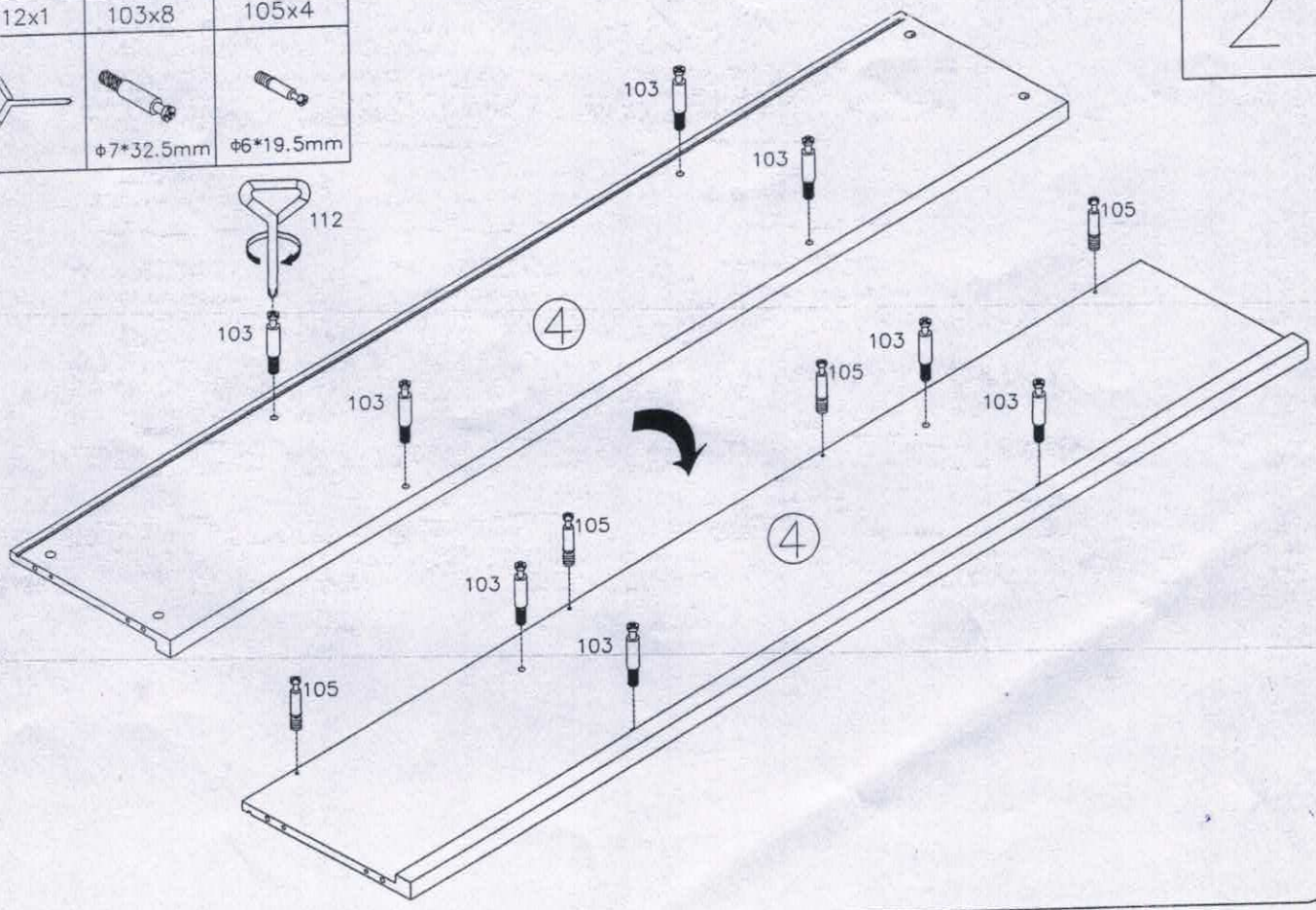
1

|   |   |
|---|---|
| 112x1   | 103x6   |
|  |  |
|   | φ7*32.5mm   |



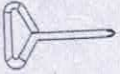





2

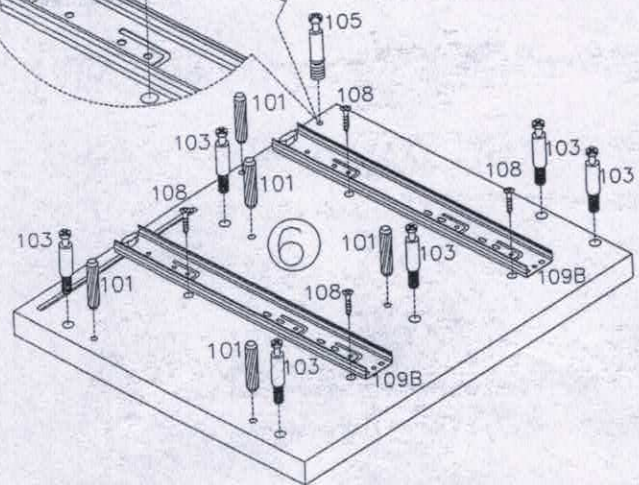
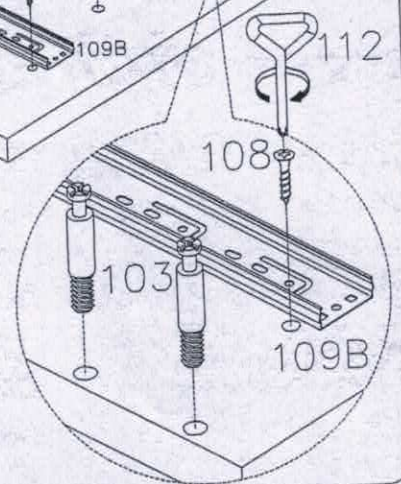
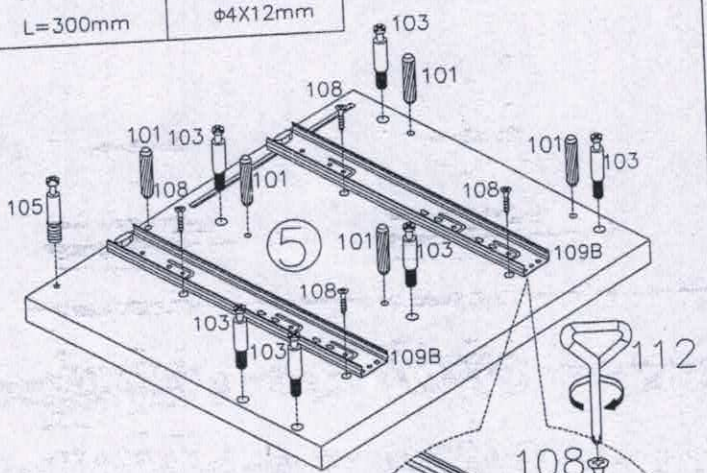
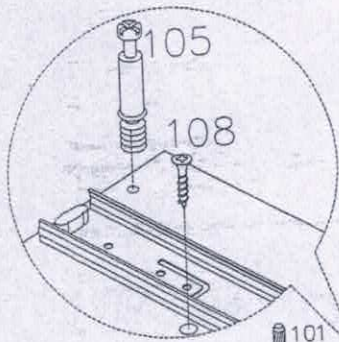
|   |   |   |
|---|---|---|
| 112x1   | 103x8   | 105x4   |
|  |  |  |
|   | φ7*32.5mm   | φ6*19.5mm   |



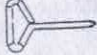




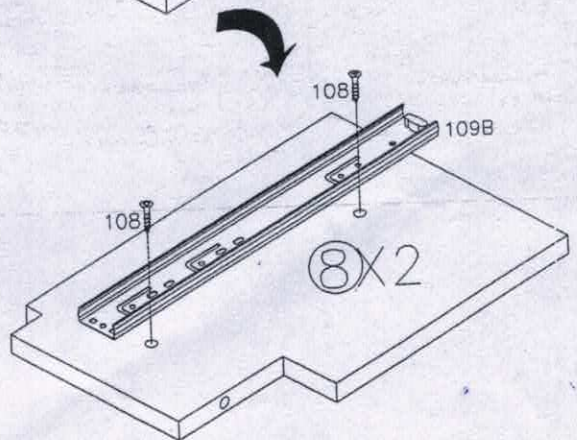
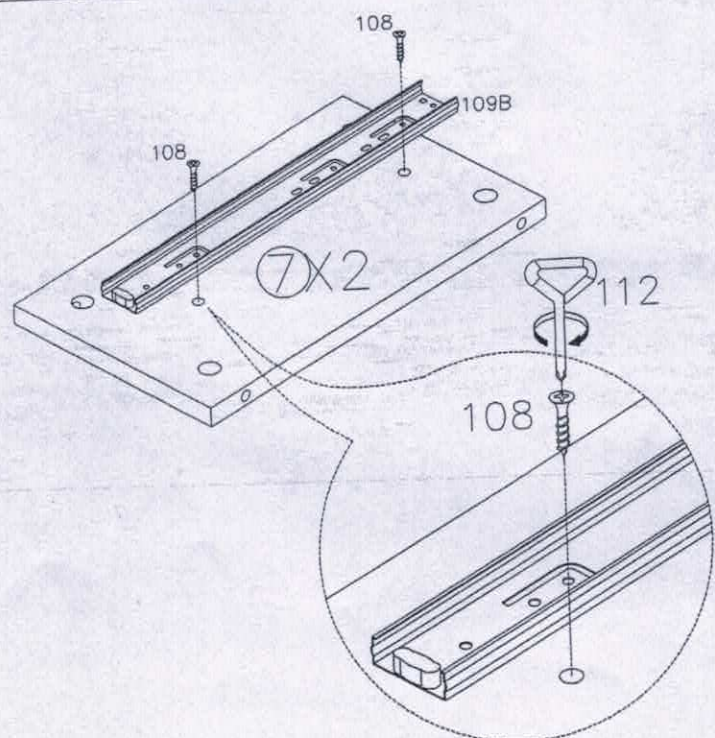
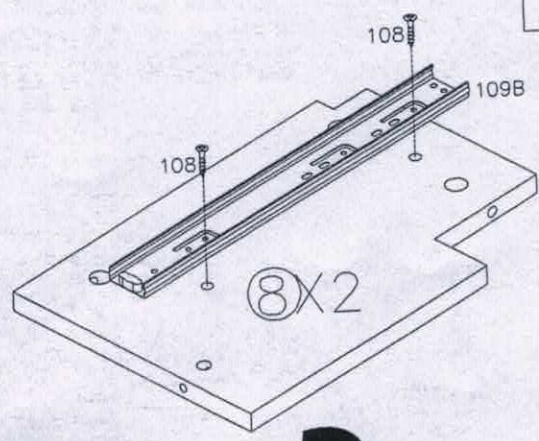
3

|  |   |   |   |   |  |
|--|---|---|---|---|--|
| 112x1  | 101 x10   | 103x12  | 105x2   | 109B x4   | 108x8  |
|  |  |  |  |  |  |
|  | φ6X30mm   | φ7*32.5mm   | φ6*19.5mm   | L=300mm   | φ4X12mm  |



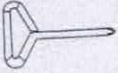

4

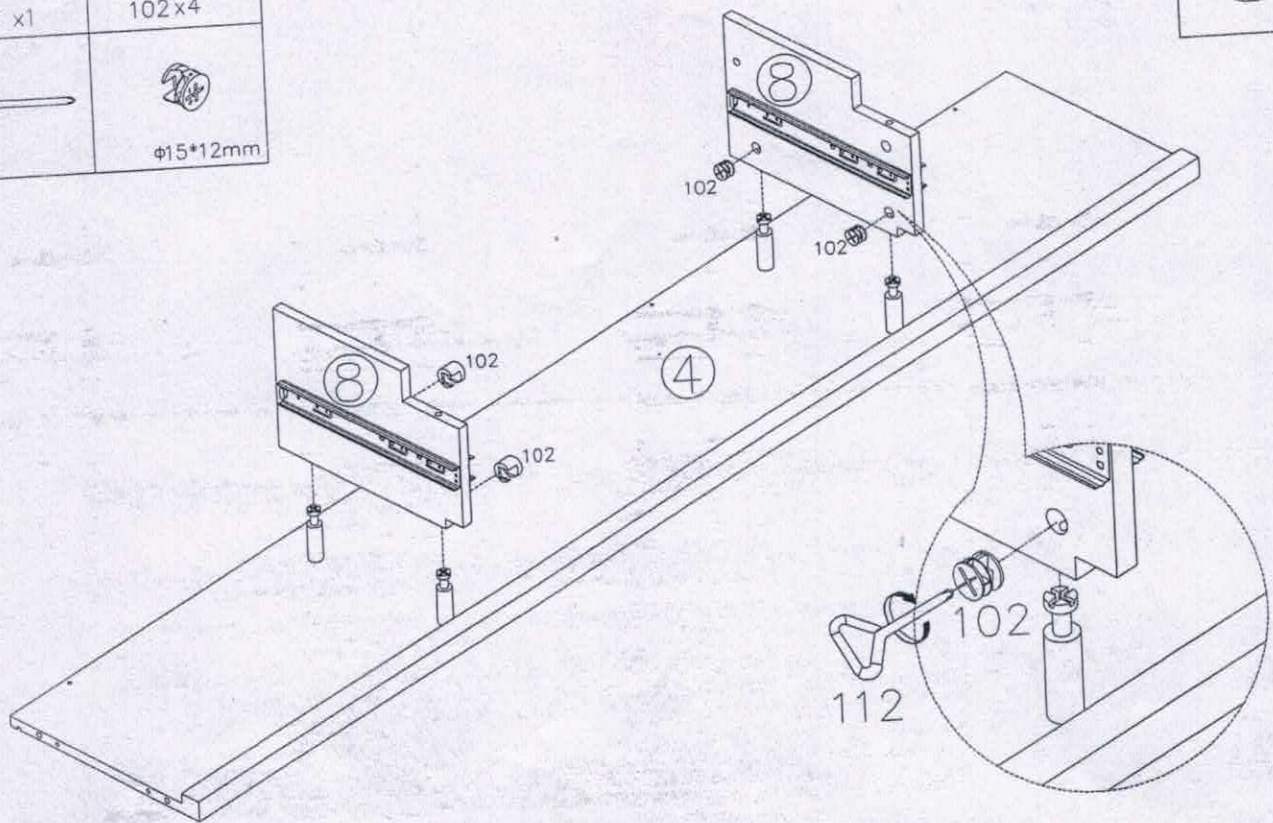
|   |   |   |
|---|---|---|
| 112x1   | 109B x6   | 108x12  |
|  |  |  |
|   | L=300mm   | φ4X12mm   |



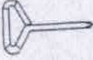



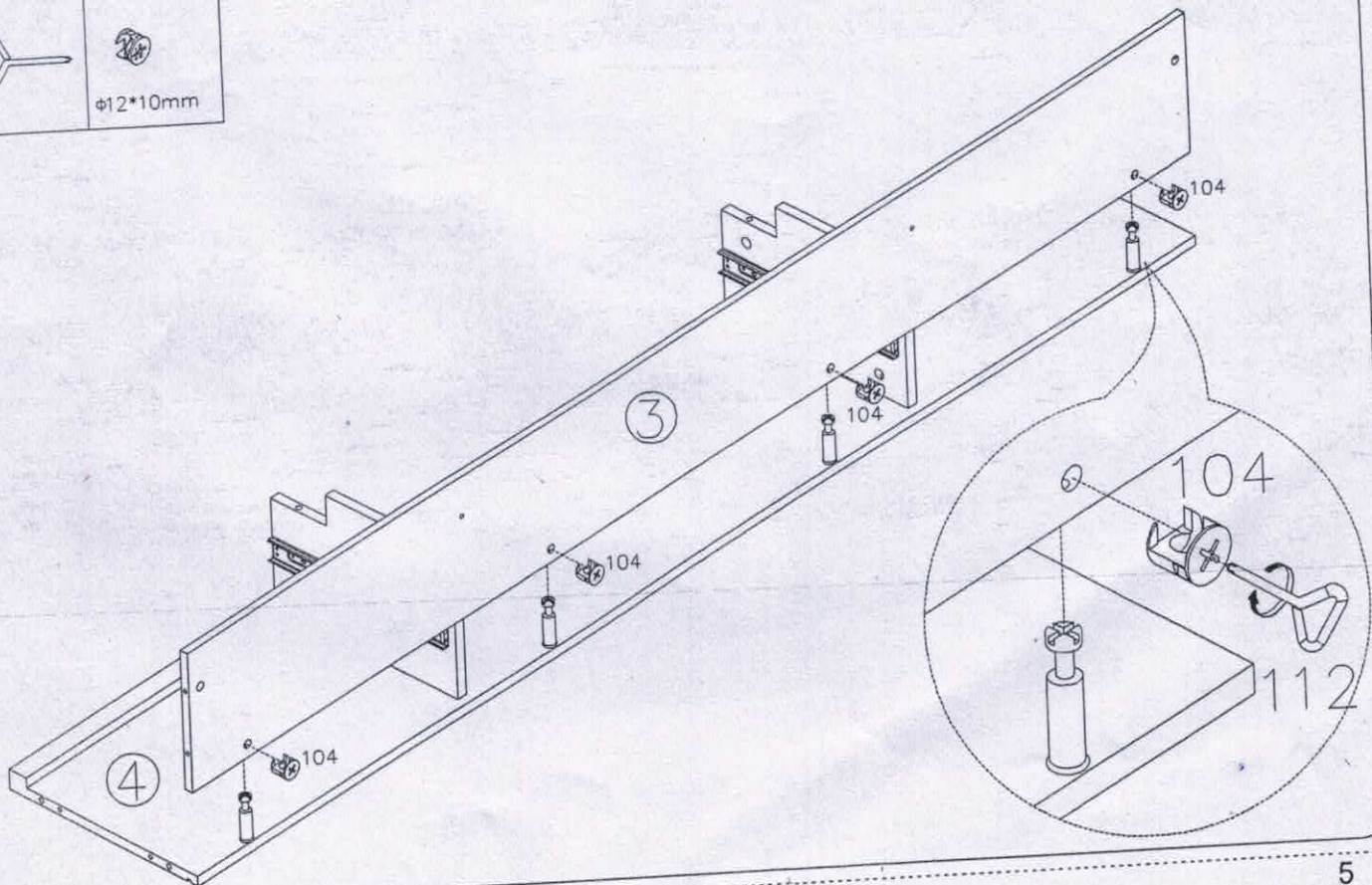
5

|  |   |
|--|---|
| 112 x1   | 102 x4  |
|  |  |
|  | φ15*12mm  |



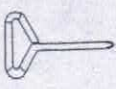



6

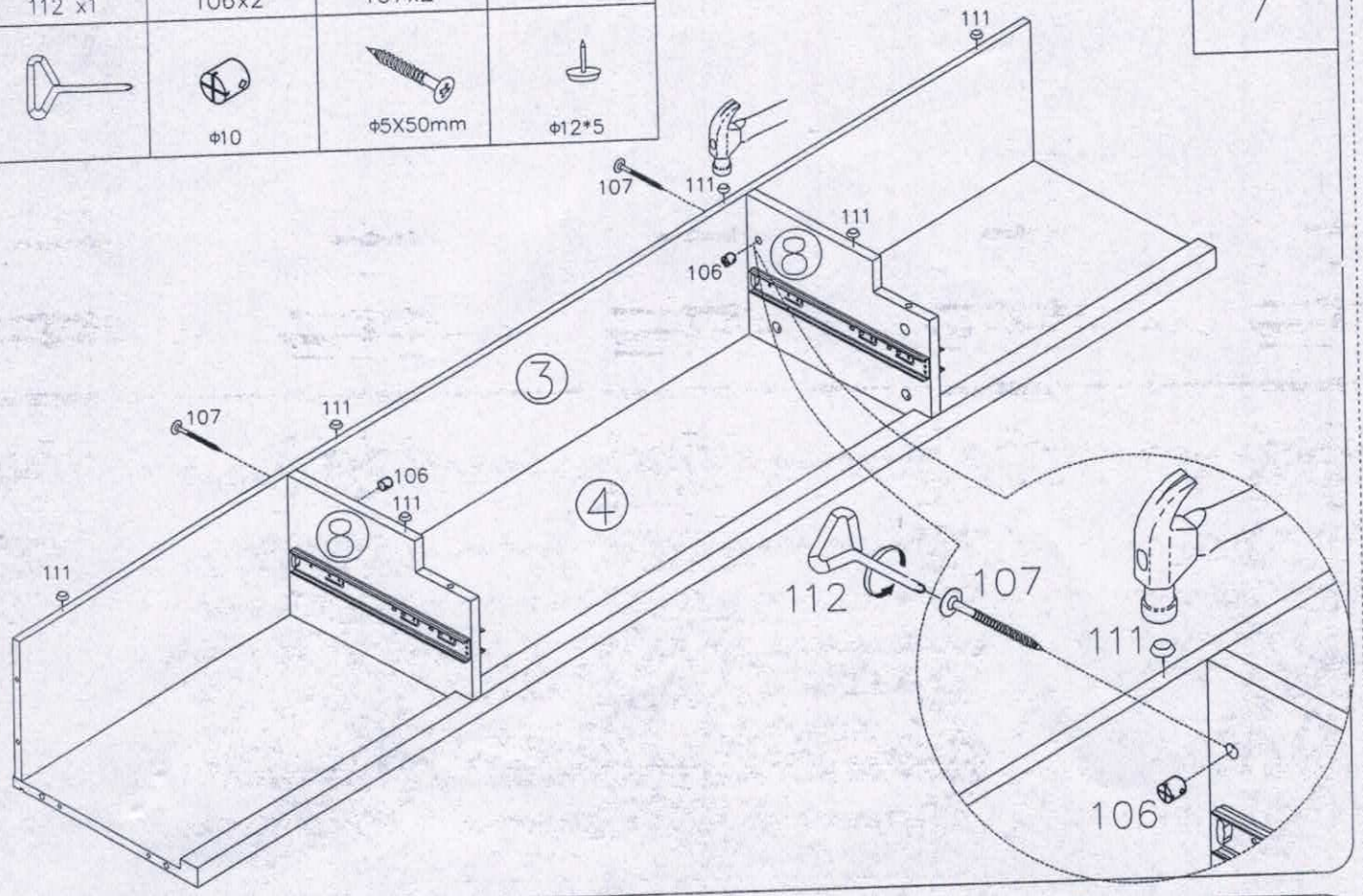
|  |   |
|--|---|
| 112 x1   | 104 x4  |
|  |  |
|  | φ12*10mm  |



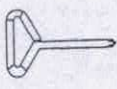



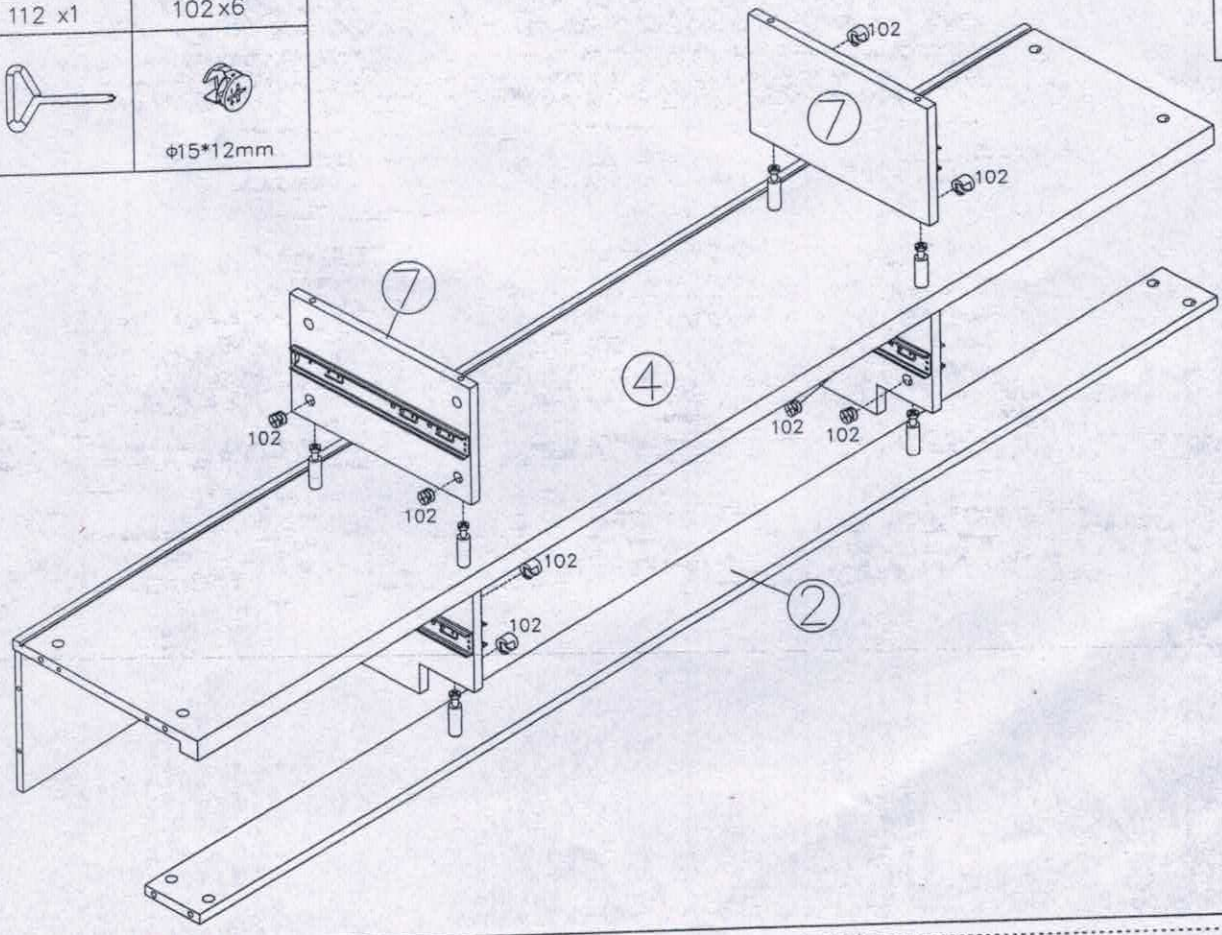
7

|   |   |   |   |
|---|---|---|---|
| 112 x1  | 106x2   | 107x2   | 111x6   |
|  |  |  |  |
|   | φ10   | φ5x50mm   | φ12*5   |



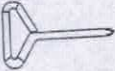

8

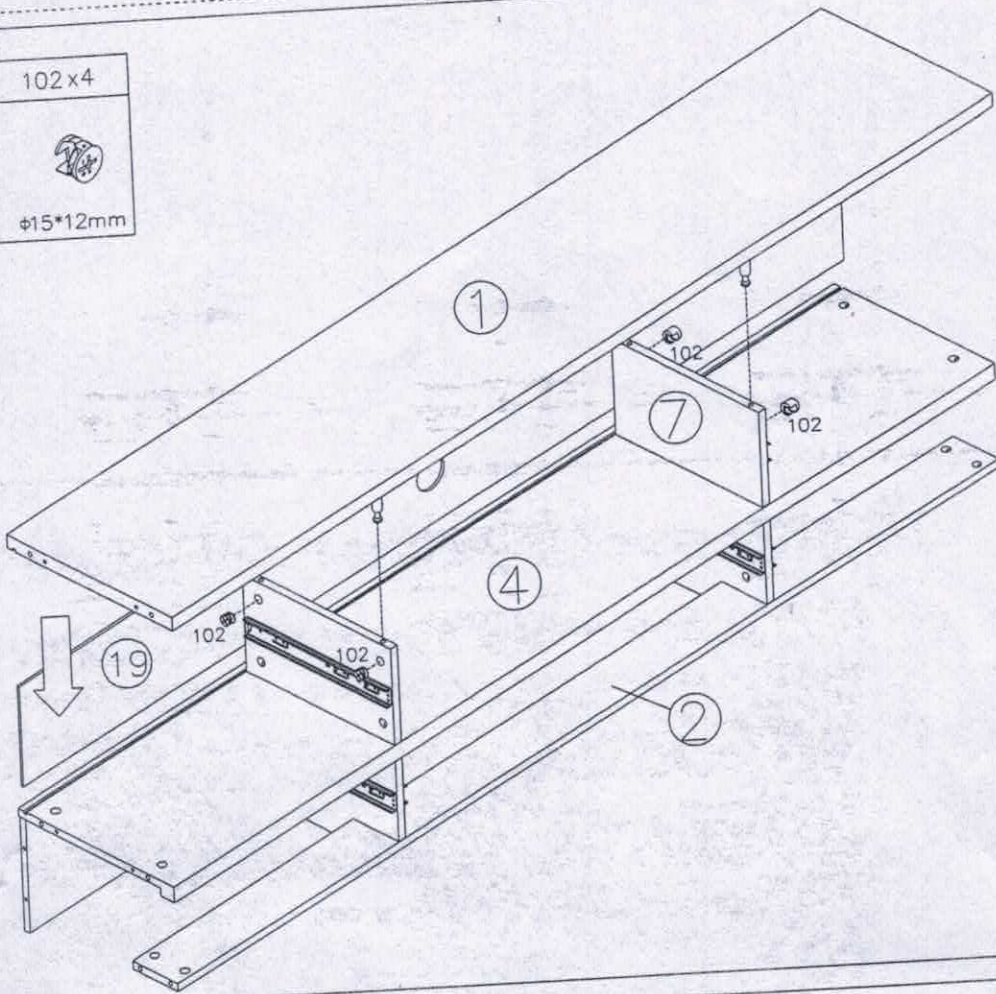
|   |   |
|---|---|
| 112 x1  | 102x6   |
|  |  |
|   | φ15*12mm  |



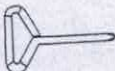




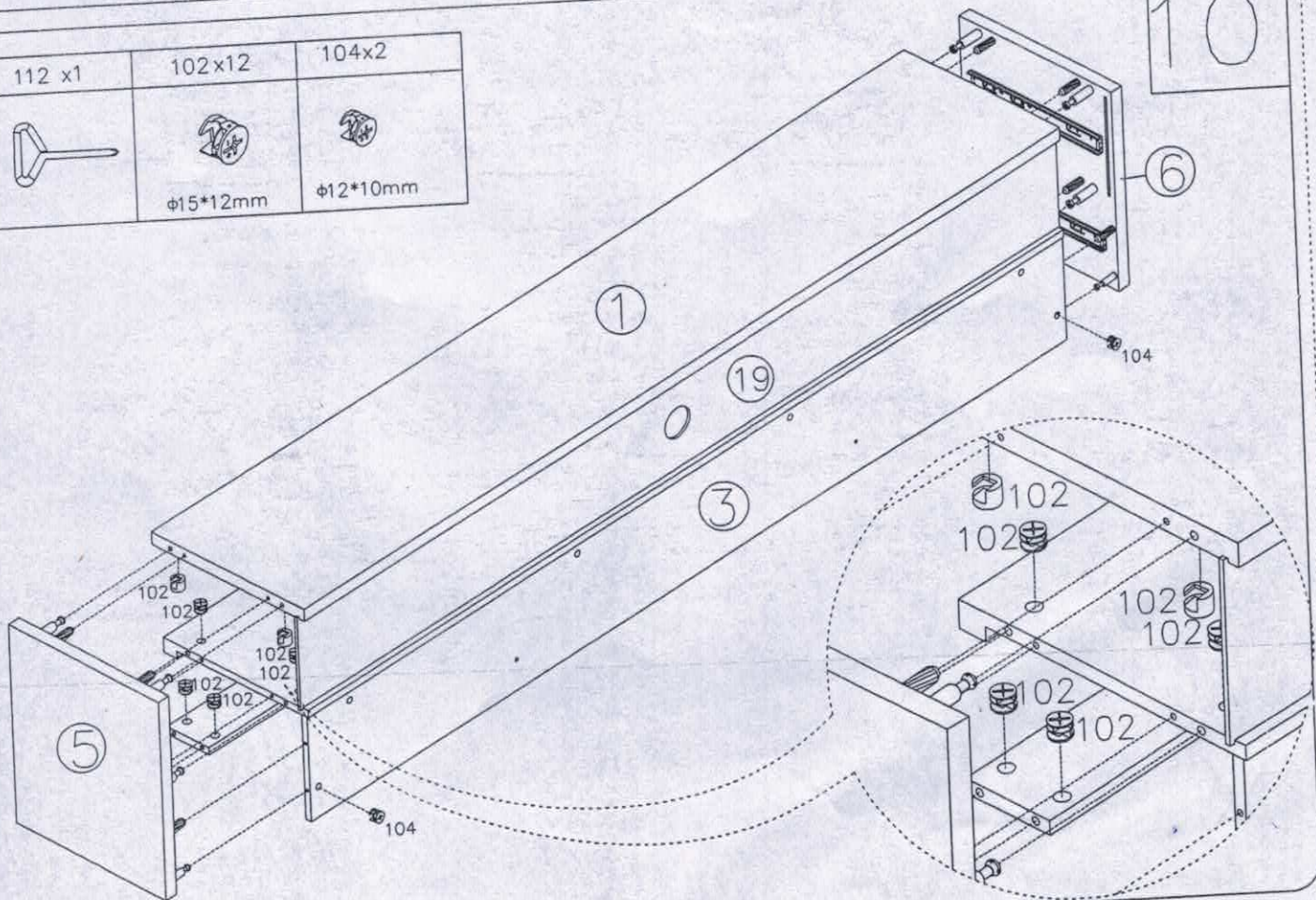
9

|  |   |
|--|---|
| 112 x1   | 102x4   |
|  |  |
|  | φ15*12mm  |



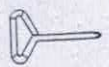

10

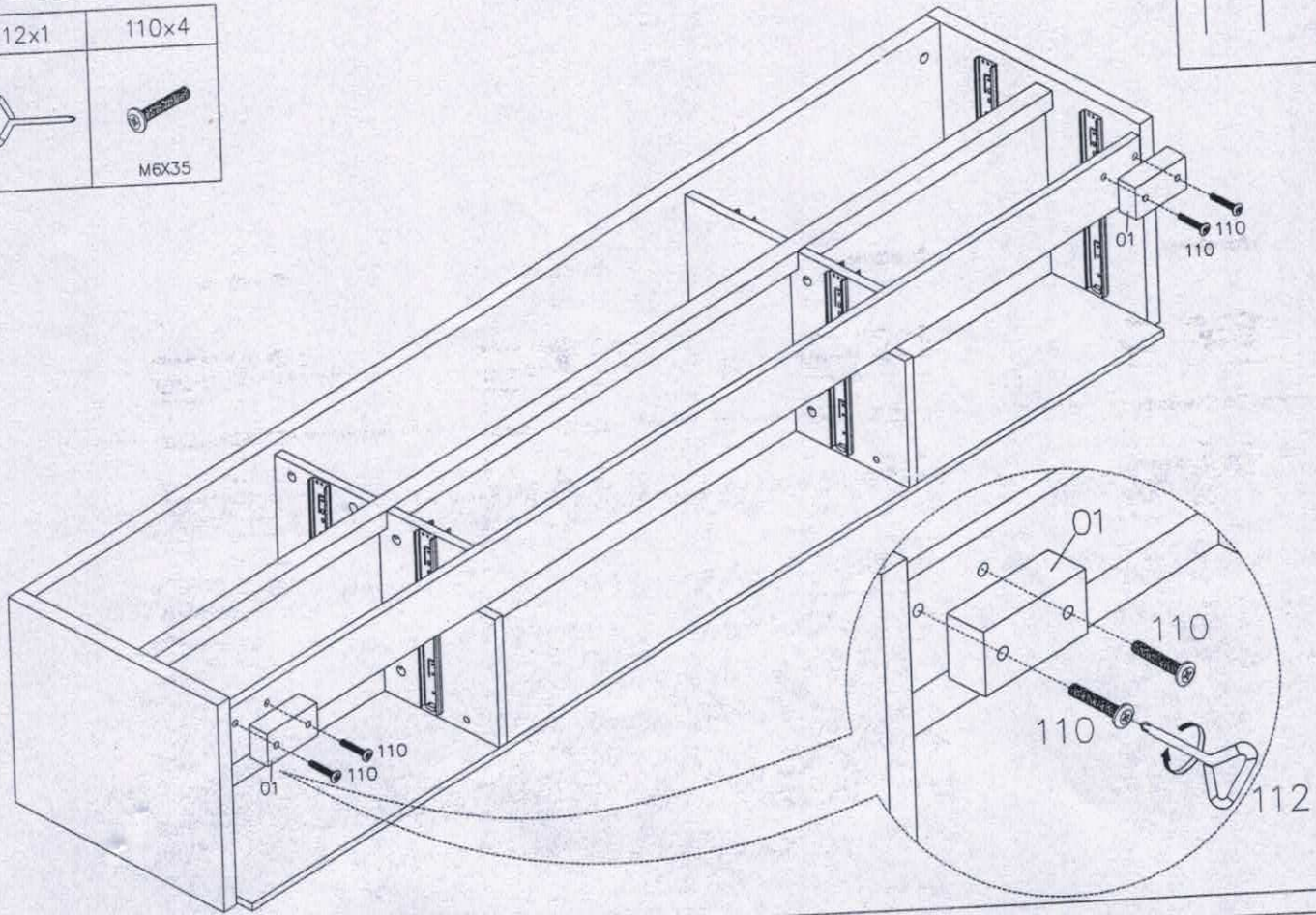
|   |   |   |
|---|---|---|
| 112 x1  | 102x12  | 104x2   |
|  |  |  |
|   | φ15*12mm  | φ12*10mm  |



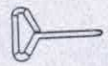




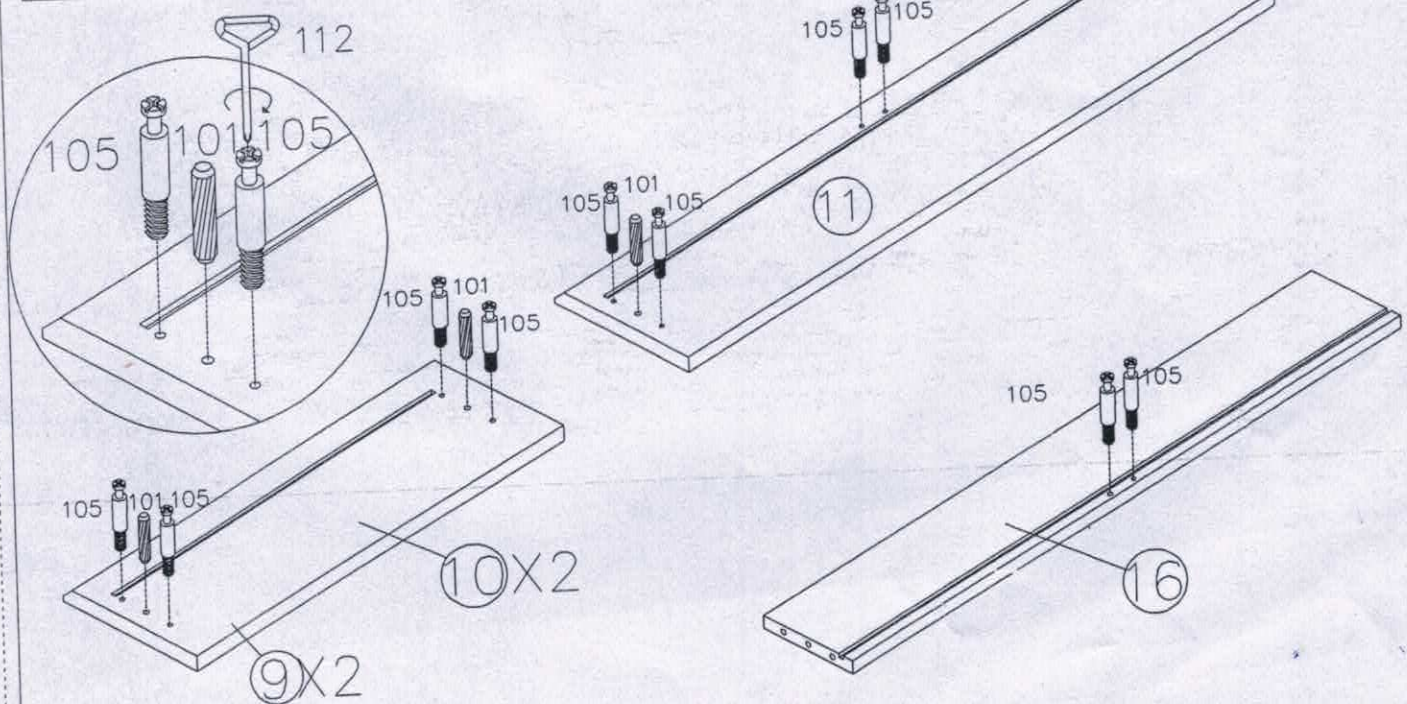
11

|  |   |
|--|---|
| 112x1  | 110x4   |
|  |  |
|  | M6X35   |



12

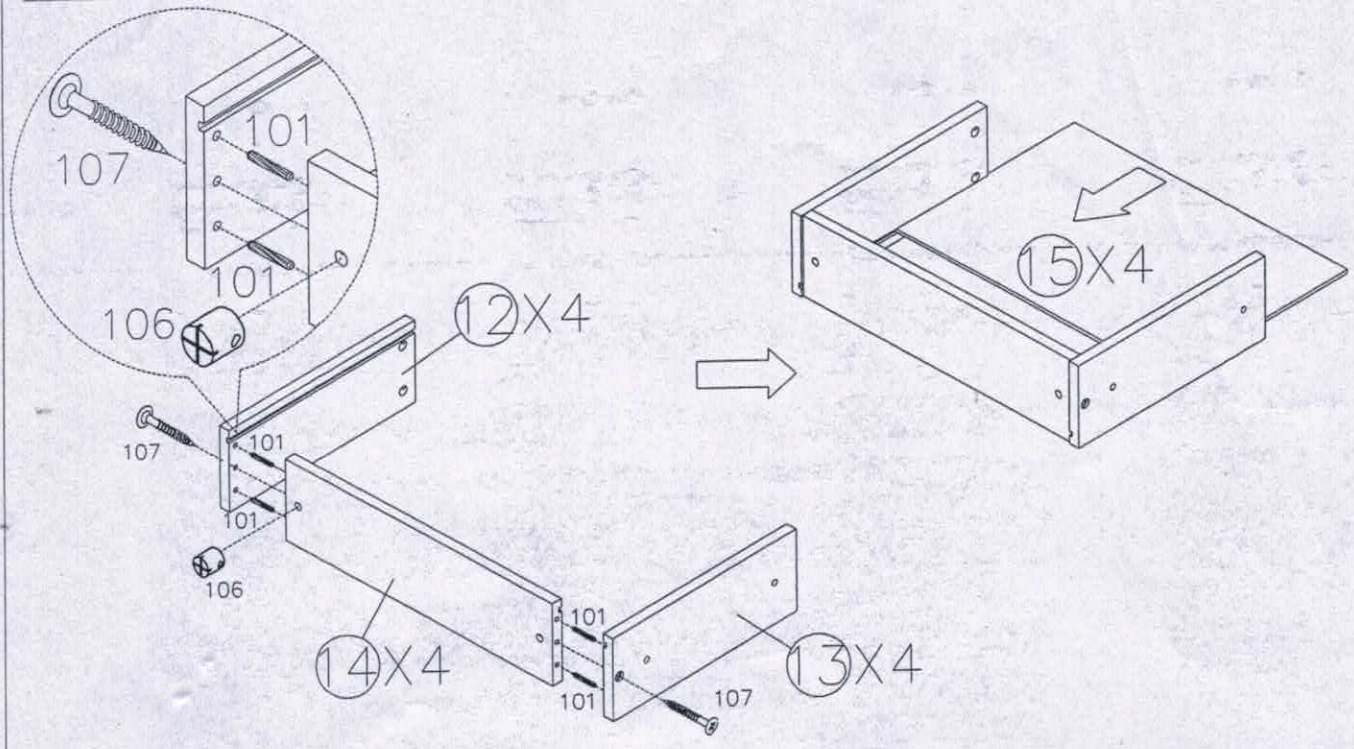
|   |   |   |
|---|---|---|
| 112x1   | 101 x10   | 105x24  |
|  |  |  |
|   | φ6X30mm   | φ6*19.5mm   |





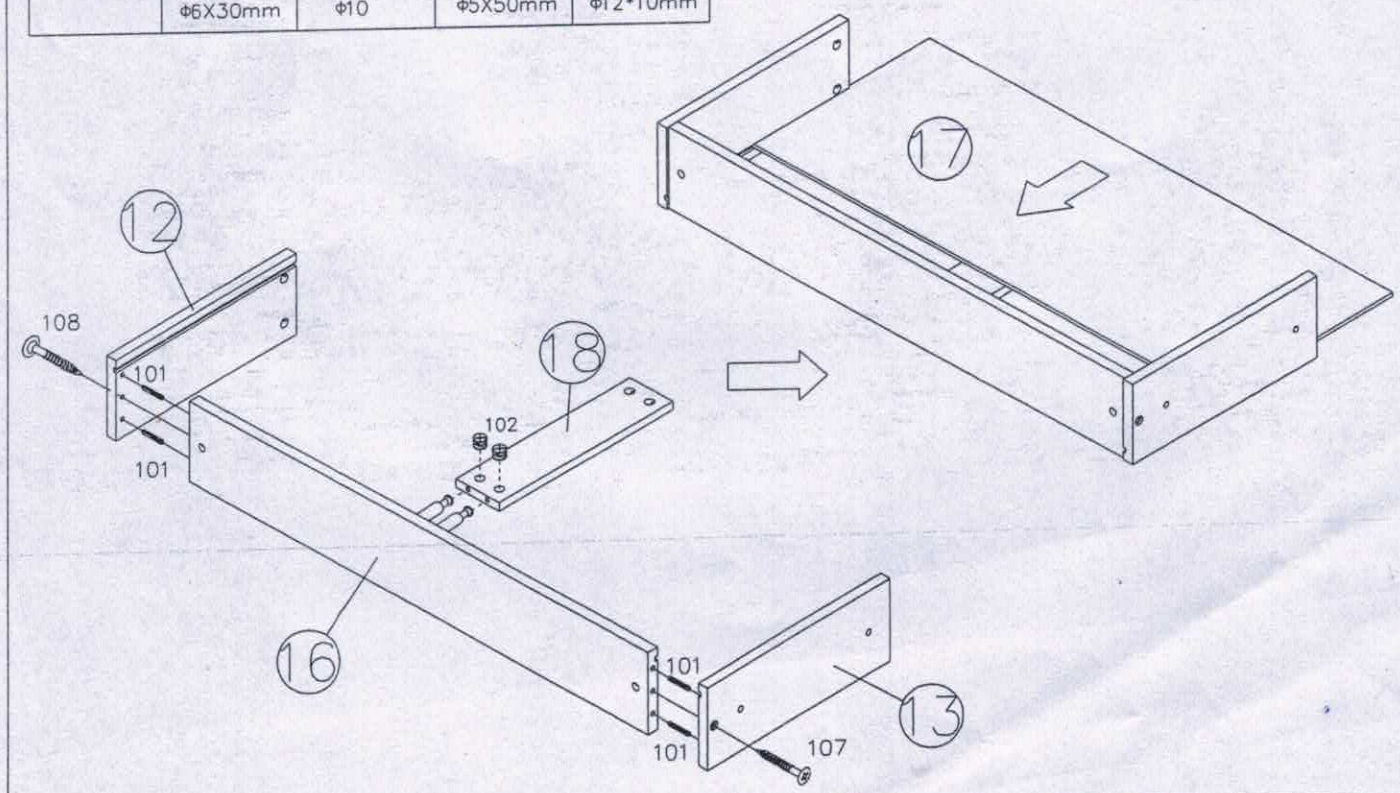
13

|       |         |       |         |
|-------|---------|-------|---------|
| 112x1 | 101x16  | 106x8 | 107x8   |
|       |         |       |         |
|       | φ6X30mm | φ10   | φ5X50mm |

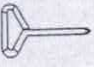





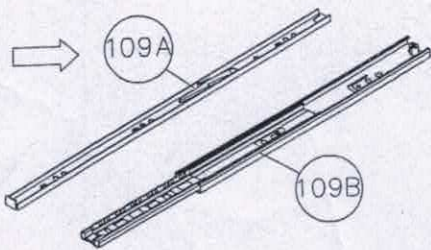
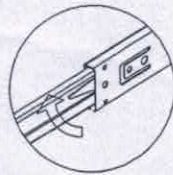
14

|       |         |       |         |          |
|-------|---------|-------|---------|----------|
| 112x1 | 101x4   | 106x2 | 107x2   | 104x2    |
|       |         |       |         |          |
|       | φ6X30mm | φ10   | φ5X50mm | φ12*10mm |

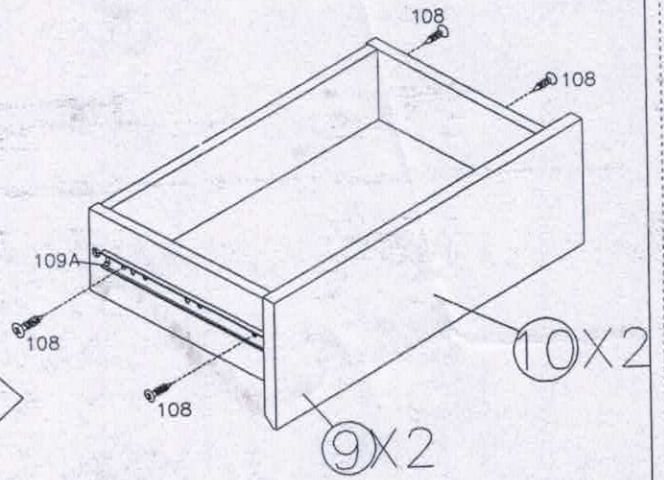
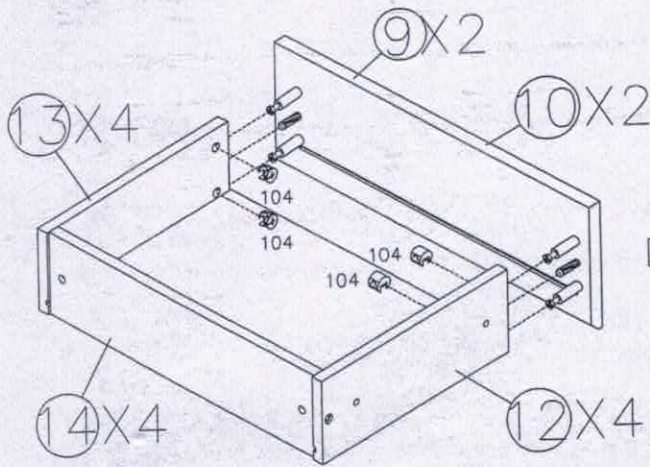


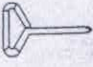





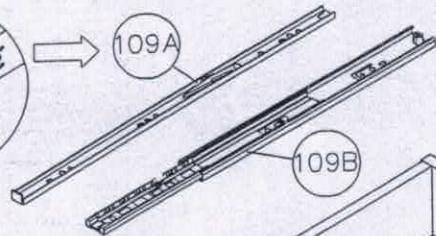
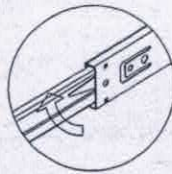
|  |   |   |   |
|--|---|---|---|
| 112x1  | 104x16  | 109A x4   | 108x16  |
|  |  |  |  |
|  | φ12*10mm  | L=300mm   | φ4X12mm   |



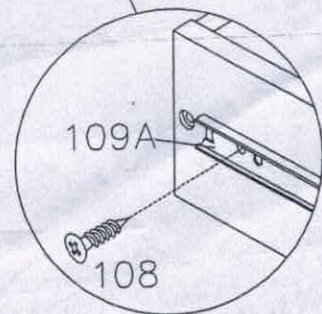
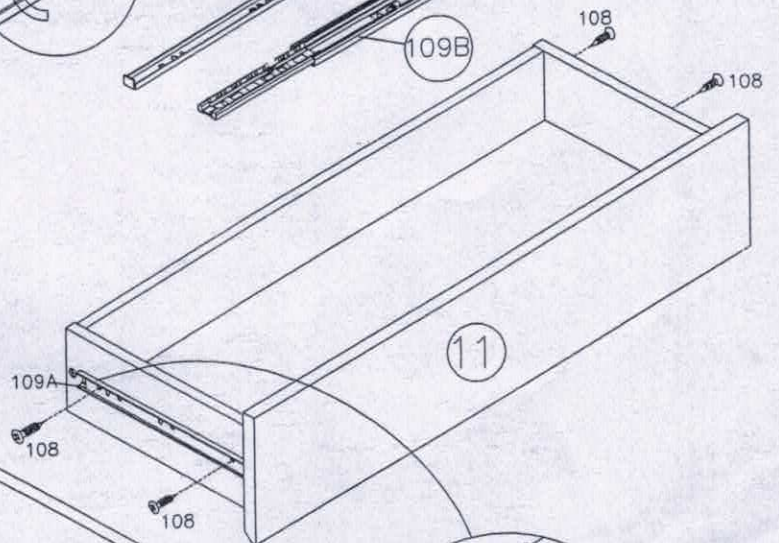
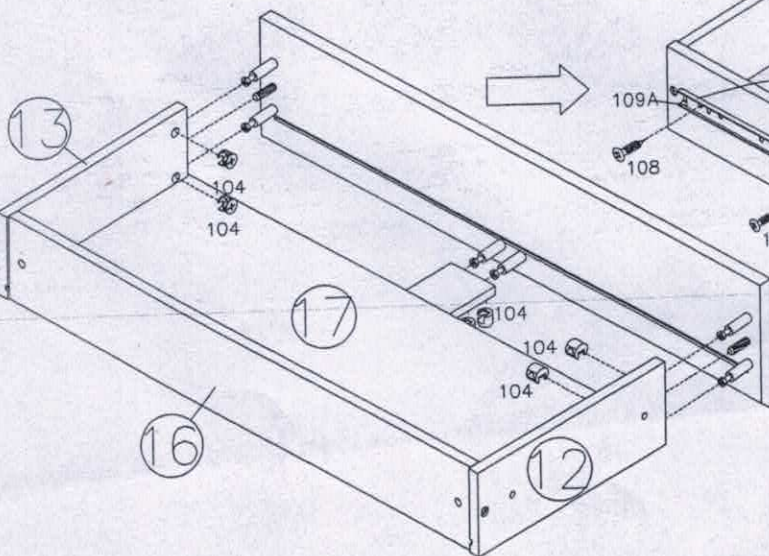
15



|   |   |   |   |
|---|---|---|---|
| 112x1   | 104x6   | 109A x2   | 108x4   |
|  |  |  |  |
|   | φ12*10mm  | L=300mm   | φ4X12mm   |

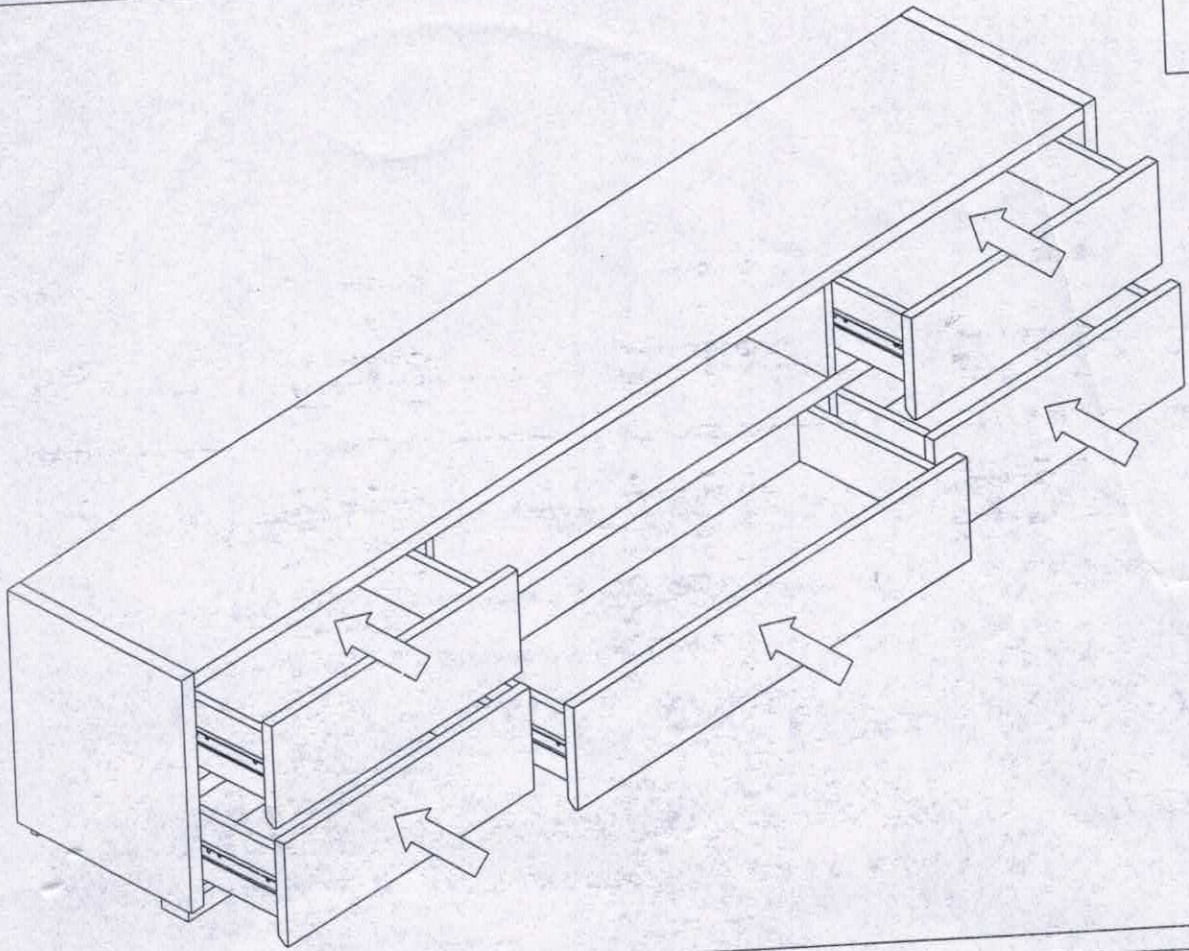


16





17



18

