

PRODUCT ASSEMBLY.

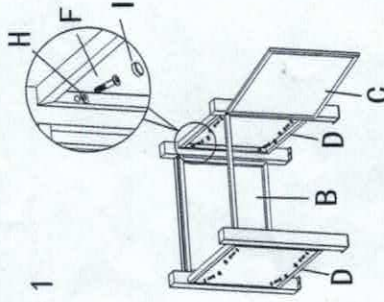
**Before you begin the assembly of your new purchase please read instructions carefully:**

1. Please check all components listed are counted and correspond to the required parts for building the product (should there be anything missing please contact your retailer or [help@supremouk.com](mailto:help@supremouk.com)).
2. This Product should be assembled by 2 people..
3. NEVER USE A POWER TOOL TO ASSEMBLE..
4. To ensure your product is not damaged during assembly, prepare a suitable area to build your furniture, either assemble on a clean soft surface (like a carpet) or use the box the products have been supplied in. This will prevent your product from damage / scratching to the materials used when building the furniture..
5. To begin the assembly, follow the diagrams in order sequence as directed to ensure the correct method is followed for correct installation of each component. DO NOT tighten any bolts up until all parts have been connected loosely with all bolts inserted into position, once all parts are connected, then each bolt can be fully tightened using the tools provided..
6. Thank you for purchasing a Supremo product and we wish you many years of enjoyment using your garden furniture..
7. **WARNING: For your safety use a 5KG Propane Gas Bottle ONLY.**

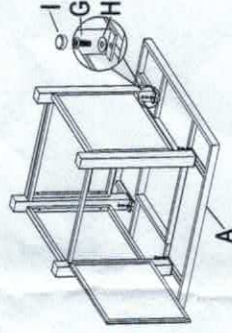
PARTS LIST

|   |                       |   |   |                  |    |
|---|-----------------------|---|---|------------------|----|
| A | TABLE TOP FRAME       | 1 | G | BOLT 2 (M6*15MM) | 4  |
| B | TABLE LEG 1           | 1 | H | METAL WASHER     | 12 |
| C | TABLE LEG 2 WITH DOOR | 1 | I | PLASTIC BOLT CAP | 12 |
| D | LEG SIDE PANEL        | 2 | J | ALLEN KEY        | 1  |
| E | GLASS                 | 1 | K | FIRE BOWL        | 1  |
| F | BOLT 1 (M6*30MM)      | 8 | L | GLASS SURROUND   | 1  |

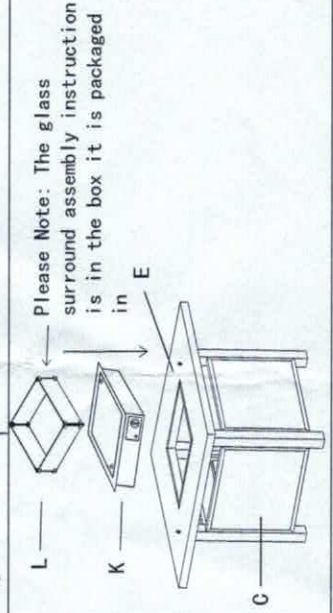
Step 1



Step 2



Step 3



**PRODUCT ASSEMBLY**

**Before you begin the assembly of your new purchase please read instructions carefully:**

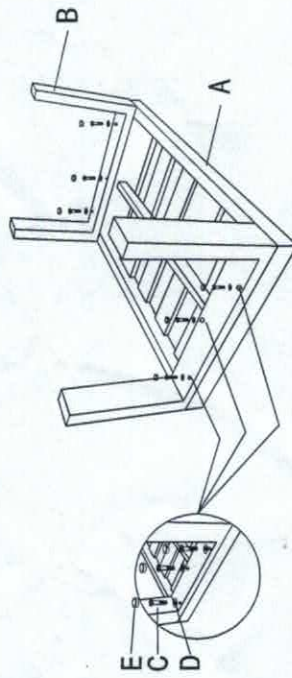
1. Please check all components listed are counted and correspond to the required parts for building the product (should there be anything missing please contact your retailer or [help@supremouk.com](mailto:help@supremouk.com)).
2. This Product should be assembled by 2 people.
3. NEVER USE A POWER TOOL TO ASSEMBLE.
4. To ensure your product is not damaged during assembly, prepare a suitable area to build your furniture, either assemble on a clean soft surface (like a carpet) or use the box the products have been supplied in. This will prevent your product from damage / scratching to the materials used when building the furniture.
5. To begin the assembly, follow the diagrams in order sequence as directed to ensure the correct method is followed for correct installation of each component. DO NOT tighten any bolts up until all parts have been connected loosely with all bolts inserted into position, once all parts are connected, then each bolt can be fully tightened using the tools provided.
6. Thank you for purchasing a Supremo product and we wish you many years of enjoyment using your garden furniture.

**ASSEMBLY INSTRUCTION  
MELBURY FOOTSTOOL**

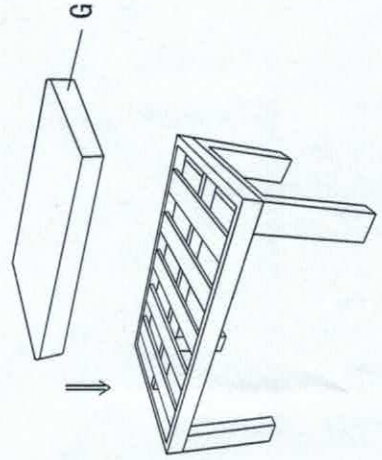
**PARTS LIST**

|   |                   |   |   |   |                  |   |   |
|---|-------------------|---|---|---|------------------|---|---|
| A | SEAT              |  | 1 | E | PLASTIC BOLT CAP |  | 6 |
| B | LEG               |  | 2 | F | ALLEN KEY        |  | 1 |
| C | BOLT<br>(M6*30MM) |  | 6 | G | BASE CUSHION     |  | 1 |
| D | METAL WASHER      |  | 6 |   |                  |   |   |

**Step 1**



**Step 2**













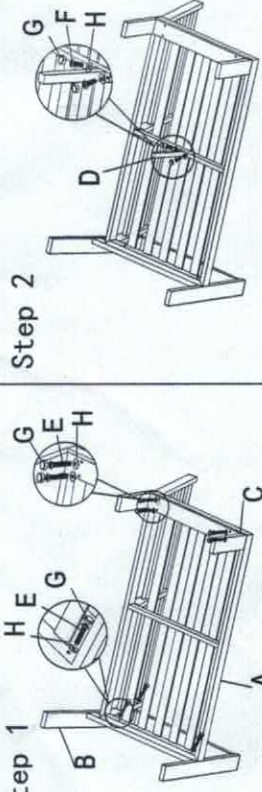
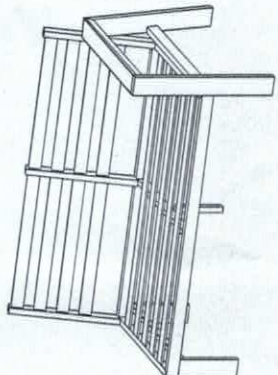




**PRODUCT ASSEMBLY.**

**Before you begin the assembly of your new purchase please read instructions carefully:**

1. Please check all components listed are counted and correspond to the required parts for building the product (should there be anything missing please contact your retailer or [help@supremouk.com](mailto:help@supremouk.com)).
2. This Product should be assembled by 2 people.
3. NEVER USE A POWER TOOL TO ASSEMBLE.
4. To ensure your product is not damaged during assembly, prepare a suitable area to build your furniture, either assemble on a clean soft surface (like a carpet) or use the box the products have been supplied in. This will prevent your product from damage / scratching to the materials used when building the furniture.
5. To begin the assembly, follow the diagrams in order sequence as directed to ensure the correct method is followed for correct installation of each component. DO NOT tighten any bolts up until all parts have been connected loosely with all bolts inserted into position, once all parts are connected, then each bolt can be fully tightened using the tools provided.
6. Thank you for purchasing a Supremo product and we wish you many years of enjoyment using your garden furniture.

| PARTS LIST  |                    |   |        |   |                  |  |   |
|---|--------------------|---|--------|---|------------------|--|---|
| A   | SEAT               |  | 1      | G | PLASTIC BOLT CAP |   | 9 |
| B   | LEFT LEG           |  | 1      | H | METAL WASHER     |   | 9 |
| C   | RIGHT LEG          |  | 1      | I | ALLEN KEY        |   | 1 |
| D   | MIDDLE SUPPORT LEG |  | 1      | J | BASE CUSHION     |   | 1 |
| E   | BOLT (M6*30MM)     |  | 7      | K | BACK CUSHION     |   | 2 |
| F   | BOLT (M6*15MM)     |  | 2      | L | ANTI SLIP MAT    |   | 2 |
| Step 1  |                    |   | Step 2 |   |                  |  |   |
| Step 3  |                    |   |        |   |                  |  |   |
|  |                    |   |        |   |                  |  |   |













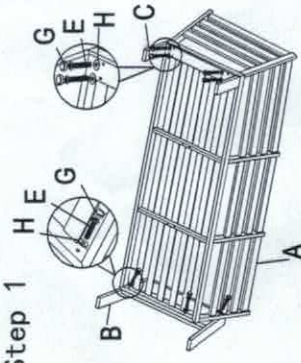
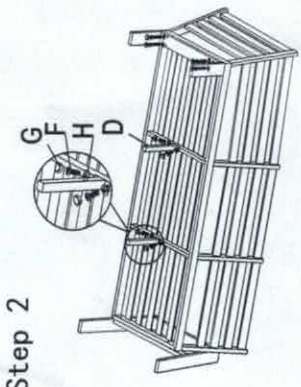
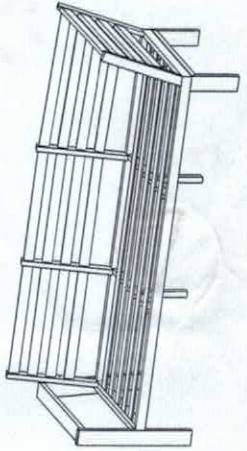
PRODUCT ASSEMBLY

**Before you begin the assembly of your new purchase please read instructions carefully:**

1. Please check all components listed are counted and correspond to the required parts for building the product (should there be anything missing please contact your retailer or [help@supremouk.com](mailto:help@supremouk.com)).
2. This Product should be assembled by 2 people.
3. NEVER USE A POWER TOOL TO ASSEMBLE.
4. To ensure your product is not damaged during assembly, prepare a suitable area to build your furniture, either assemble on a clean soft surface (like a carpet) or use the box the products have been supplied in. This will prevent your product from damage / scratching to the materials used when building the furniture.
5. To begin the assembly, follow the diagrams in order sequence as directed to ensure the correct method is followed for correct installation of each component. DO NOT tighten any bolts up until all parts have been connected loosely with all bolts inserted into position, once all parts are connected, then each bolt can be fully tightened using the tools provided.
6. Thank you for purchasing a Supremo product and we wish you many years of enjoyment using your garden furniture.

ASSEMBLY INSTRUCTION

MELBURY 3 SEAT RIGHT CORNER SOFA (WHEN SEATED)

| PARTS LIST   |                    |   |   |   |                  |   |    |
|--|--------------------|---|---|---|------------------|---|----|
| A  | SEAT               |  | 1   | G | PLASTIC BOLT CAP |  | 11 |
| B  | RIGHT LEG          |  | 1   | H | METAL WASHER     |  | 11 |
| C  | LEFT LEG           |  | 1   | I | ALLEN KEY        |  | 1  |
| D  | MIDDLE SUPPORT LEG |  | 2   | J | BASE CUSHION     |  | 1  |
| E  | BOLT (M6*30MM)     |  | 7   | K | BACK CUSHION     |  | 4  |
| F  | BOLT (M6*15MM)     |  | 4   | L | ANTI SLIP MAT    |  | 3  |
| Step 1   |                    |   | Step 2  |   |                  |   |    |
|  |                    |   |   |   |                  |   |    |
| Step 3   |                    |   |  |   |                  |   |    |



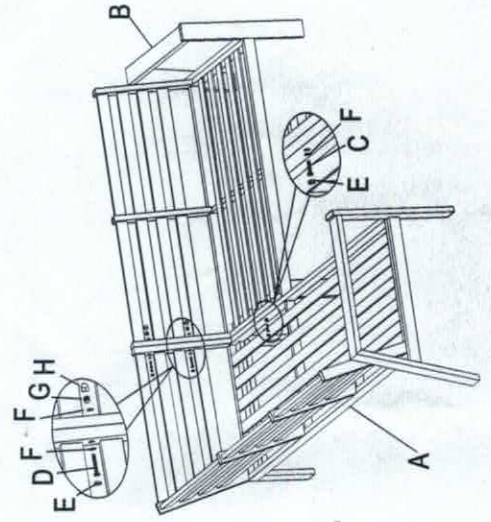
**PRODUCT ASSEMBLY.**

**Before you begin the assembly of your new purchase please read instructions carefully:**

1. Please check all components listed are counted and correspond to the required parts for building the product (should there be anything missing please contact your retailer or [help@supremouk.com](mailto:help@supremouk.com)).
2. This Product should be assembled by 2 people.
3. NEVER USE A POWER TOOL TO ASSEMBLE.
4. To ensure your product is not damaged during assembly, prepare a suitable area to build your furniture, either assemble on a clean soft surface (like a carpet) or use the box the products have been supplied in. This will prevent your product from damage / scratching to the materials used when building the furniture.
5. To begin the assembly, follow the diagrams in order sequence as directed to ensure the correct method is followed for correct installation of each component. DO NOT tighten any bolts up until all parts have been connected loosely with all bolts inserted into position, once all parts are connected, then each bolt can be fully tightened using the tools provided.
6. Thank you for purchasing a Supremo product and we wish you many years of enjoyment using your garden furniture.

| PARTS LIST |                              |   |   |                  |   |
|------------|------------------------------|---|---|------------------|---|
| A          | RIGHT HAND CORNER SOFA BENCH | 1 | E | PLASTIC BOLT CAP | 3 |
| B          | LEFT HAND CORNER SOFA BENCH  | 1 | F | METAL WASHER     | 5 |
| C          | BOLT (M6*30MM)               | 1 | G | NON-SLIP NUTS    | 2 |
| D          | BOLT (M6*50MM)               | 2 | H | PLASTIC BOLT CAP | 2 |
|            |                              |   | I | SPANNER          | 1 |
|            |                              |   | J | ALLEN KEY        | 1 |

**Step 1**



## 9. Limited Warranty

We grant a warranty for the appliance for the duration of one year, starting with the date of purchase. The warranty includes manufacturing deficiencies and defective parts; it extends to the replacement of these parts.

Expenses for shipping, installation, replacement of worn parts and other cost are not covered by the warranty. The warranty lapses in case of mishandling and if any kind of unauthorized modifications are made on the unit.

Contact Supremo Ltd for help advise on appliance at:

### Supremo Ltd

Units 1-2A Kendall Business Park Stafford Park 6 Telford TF3 3AT

T: 01952 671100

[www.supremouk.com](http://www.supremouk.com)

Manufactured by

Dongguan Haohong Outdoor Products Technology Co.,Ltd

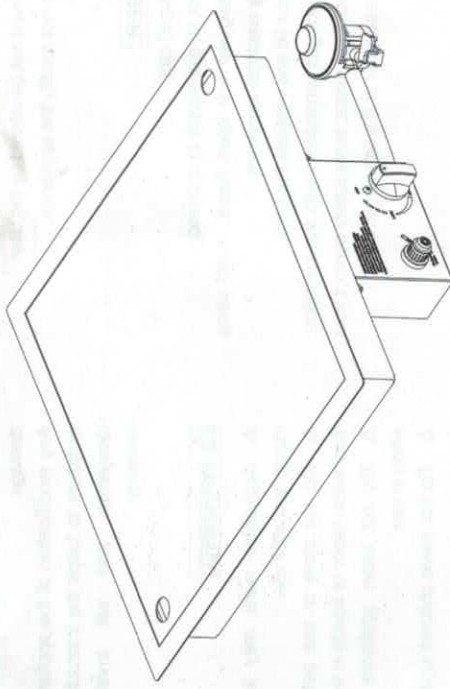
No.8 Road 3 of Huangjin Lake Industry Park, Songmushan Village, Dalang town, Dongguan, Guangdong, China

Telephone: +86-0769-8925-2185

Fax: +86-0769-8925-2187

# Square Fire Pit

## GAS FIRE PIT-HH-EUFTS-S495-D306 Assembly & Operation Instructions



This appliance is intended for heat source purposes only

Warning: For Outdoor use only!

For domestic use only!

Please keep these instructions for future reference!



**PRIOR TO USE:**

- △ Read the instructions before using the appliance.
- △ Only to be used outdoors
- △ Do not move the appliance during use
- △ Any modification of the appliance may be dangerous
- △ Parts sealed by the manufacturer or his agent must not be altered by the user.
- △ Do not modify the appliance.

**DANGER:**

If you smell gas:

1. Shut off gas supply to appliance.
2. Extinguish any open flame, avoid using any electrical appliance.
3. Open lid and ventilate the area.
4. Check gas connections with soap solution.
5. If odor still exists, immediately contact your gas supplier or fire department.

**IMPORTANT:**

Hazardous fire or explosion may result if these instructions are ignored.

It is the user's responsibility to see that this appliance is properly assembled, installed, and taken care of. Failure to follow instructions in this manual could result in serious bodily injury and/or property damage.

Any modification of the appliance, misuse, or failure to follow the instructions may be dangerous and will invalidate your warranty.

**WARNING:**

- △ Accessible parts may be very hot during and after use.
- △ Do not store or use petrol or other flammable vapor or liquids in the vicinity.
- △ Do not leave appliance unattended when in use.
- △ Do not leave children unattended with fire pit when in use.

**Please keep this manual for future reference**

Manufactured in China for: No.8 Road 3 of Huangjin Lake Industry Park, Songmushan Village, Dalang town, Dongguan, Guangdong, China

Imported By:

**Supremo Ltd**

Units 1-2A Kendall Business Park Stafford Park 6

Telford TF3 3AT

T: 01952 671100

www.supremouk.com

**Contents**

**Page No.**

1. Information .....3

2. Safety instructions .....4

3. Explode view & hardware .....5

4. Assembly instructions .....6-8

5. Installing with gas supply system .....9

6. Operating instructions .....10

7. Cleaning and maintenance .....11-12

8. Troubleshooting .....13

9. Limited Warranty .....15

## 1. Information

|                       |   |   |                                      |
|-----------------------|---|---|--------------------------------------|
| Product Name          | Gas firepit system  |   |                                      |
| Model Number          | HH-EUFTS-S495-D306  |   |                                      |
| Cat                   | I3+(28-30/37)   | I3BIP (30)  | I3BIP (50)                           |
| Country Code          | GB, BE, CY, CZ, FR, GR, IE, IT, LV, LU, PT, SK, SI, ES, CH  | AL, BE, BG, CY, HR, DK, EE, FI, FR, HU, IS, IT, LT, LU, MT, MK, NL, NO, RO, SK, SI, SE, TR, | AT, CH, DE, SK                       |
| Gas Type and Pressure | G30 Butane at 28-30mbar and G31 Propane at 37mbar   | G30 Butane and G31 Propane at 30mbar  | G30 Butane and G31 Propane at 50mbar |
| Rating                | 11.8KW (859g/h)   | 11.8KW (859g/h)   | 11.8KW (859g/h)                      |
| Orifice               | 1.76mm  | 1.76mm  | 1.50mm                               |
| Address               | No.8 Road 3 of Huangjin Lake Industry Park, Songmushan Village, Dalang town, Dongguan, Guangdong, China   |   |                                      |
| <b>▲ CAUTION:</b>     | <b>USE OUTDOORS ONLY</b>  |   |                                      |
|                       | Read the instructions before use.   |   |                                      |
|                       | This appliance is intended for decorative purposes  |   |                                      |
|                       | This appliance requires a hose and regulator which are defined in the instruction   |   |                                      |
|                       | <b>WARNING: THIS APPLIANCE HAS A NAKED FLAME. A SUITABLE GUARD SHOULD BE USED FOR THE PROTECTION OF YOUNG CHILDREN, THE ELDERLY AND THE INFIRM</b>  |   |                                      |
|                       | This appliance must be installed in accordance with the rules in force, and used only in a sufficiently ventilated space. Consult instructions before installation and use of this appliance. |   |                                      |
|                       | The use of this appliance in enclosed areas can be dangerous and is PROHIBITED.   |   |                                      |
|                       | Be careful, accessible parts may be very hot. Keep away from young children.  |   |                                      |
|                       | No part of the guard shall be permanently removed. IT DOES NOT GIVE FULL PROTECTION FOR YOUNG CHILDREN, THE ELDERLY OR THE INFIRM.  |   |                                      |
|                       | Close the valve of the gas cylinder or the regulator after use.   |   |                                      |
|                       | <b>NOT TO BE USED FOR THE HEATING OF DOMESTIC PREMISES</b>  |   |                                      |
|                       | The appliance shall not be used in basements or below ground level  |   |                                      |

**-Caution should be taken during and after use as the fire pit and associated components can be extremely hot (ALLOW TO COOL DOWN BEFORE HANDLING)**

## 2. Safety instructions

- ▲ Leak test all connections after each tank refilled or first use after a long period, by which the method is described in the "Operating instructions" part.
- ▲ This product is for domestic use ONLY.
- ▲ Never use an LP gas tank with damaged body, valve, collar, or footing.
- ▲ The use of alcohol, prescription or non-prescription drugs may impair the ability to properly assemble or safely operate the appliance.
- ▲ Never use charcoal, lighter fluid, lava rocks, gasoline, kerosene, or alcohol within this product.
- ▲ Do not store or use gasoline or other flammable liquids or vapors within 25 feet (7.6m) from this appliance.
- ▲ Do not use the appliance unless it's completely assembled and all parts are securely fastened and tightened.
- ▲ Use only factory authorized parts. The use of any part that is not factory authorized is dangerous. This may also void your warranty.
- ▲ Operate on solid ground only, do not install or use in/on boats or recreational vehicles.
- ▲ Do not leave a lit appliance unattended, especially keep children and pets away from appliance at all times.
- ▲ Children and adults should be alerted to the hazards of high surface temperatures and kept at a safe distance while fireplace is in use.
- ▲ Do not move the appliance during use.
- ▲ Keep all electrical cords away from a hot outdoor fireplace.
- ▲ Turn off the gas supply at the gas container after use.
- ▲ Never obstruct the ventilation openings of the container compartment.
- ▲ The appliance should not be used in basements or below ground level.
- ▲ The appliance must only be used for outdoor space heating.
- ▲ This fire pit is NOT to be used as a cooking source.

**! DANGER**



### CARBON MONOXIDE HAZARD

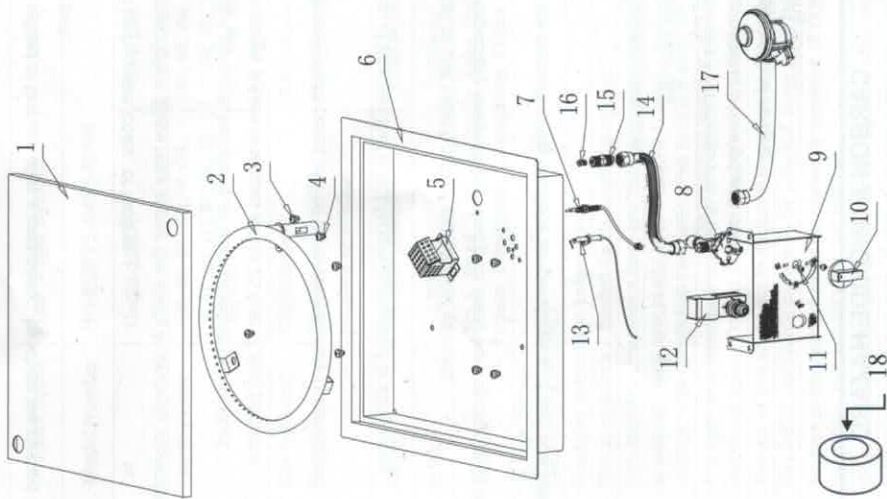
This appliance can produce carbon monoxide which has no odor.

Using it in an enclosed space can kill you.

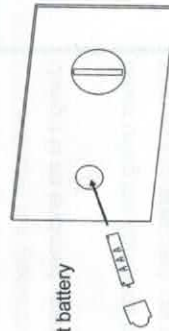
Never using this appliance in an enclosed space such as a camper, tent, car or home.



**3. Explode view & hardware**



| No. | Designation              | QTY |
|-----|--------------------------|-----|
| 1   | Square pan Lid           | 1   |
| 2   | Round burner             | 1   |
| 3   | M5 Screw                 | 9   |
| 4   | M5 Nut                   | 9   |
| 5   | Pilot Cover              | 1   |
| 6   | Square Pan               | 1   |
| 7   | Thermocouple             | 1   |
| 8   | Valve                    | 1   |
| 9   | Control Panel            | 1   |
| 10  | Knob                     | 1   |
| 11  | M4 Screw                 | 3   |
| 12  | Pulse Igniter            | 1   |
| 13  | Igniter needle with wire | 1   |
| 14  | Flex Line                | 1   |
| 15  | Brass Fitting            | 1   |
| 16  | Brass Orifice            | 1   |
| 17  | Regulator/Hose           | 1   |
| 18  | Roll of Heat Proof Tape  | 1   |
| 19  | Battery                  | 0   |

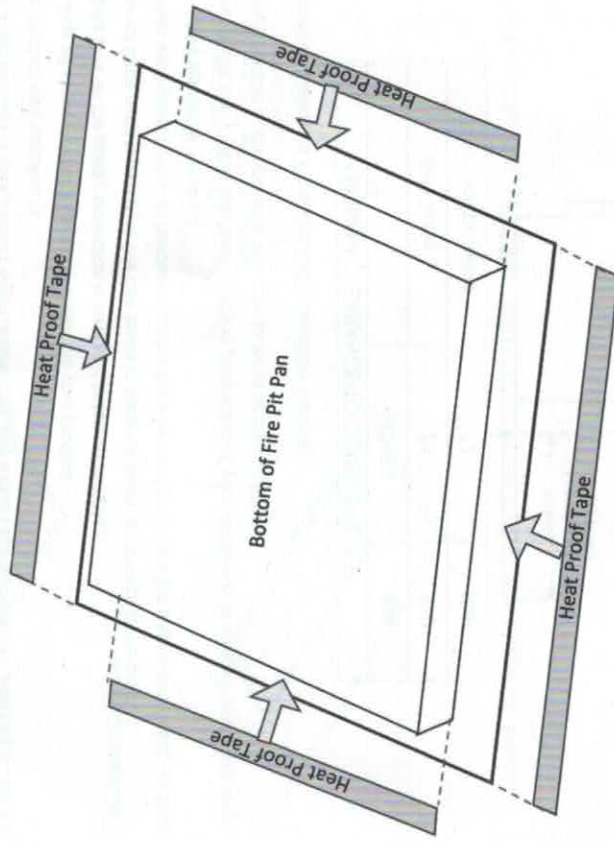


Unscrew push bottom to insert battery

**Note:** Battery required for pulse igniter( Not supplied), size required 'AAA'.

The following instructions are to be followed to apply the heat proof tape to the fire bowl before inserting this section into the main table.

1. Turn the main fire bowl onto its face edge (up-side down) onto a soft level surface.
2. Apply the heat proof tape to the 4 outer rim edges of the fire bowl ensuring the tape is placed level with the outer edges and cut the tape to the correct length required (ensure the tape does not overlap each other where the tape can join in the corners).



**Note:** Cutting Tool required – Not Supplied

## Assembly & Operation Instructions

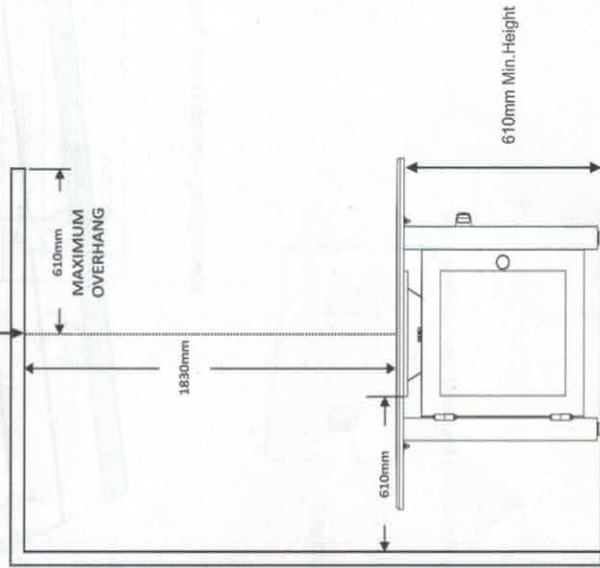
### 4. Assembly instructions

Please read these instructions carefully before assembly and use.

- These Instructions are to be used in conjunction with the table frame purchased. Find a large, clean area to assemble your appliance. Please refer to the parts list and assembly diagram as necessary. Assembly of the appliance involves many large components; it is advisable to have two people assemble the unit.
  - ▲ Please use protective gloves when assembling this product.
  - ▲ To avoid losing any small component or hardware, assemble your product on a hard level surface that does not have cracks or openings.
  - ▲ To avoid damage to your product when assembling, use a clean soft surface (like a carpet) or use the box the product was supplied in.
  - ▲ Follow all steps in order to properly assemble your product.
  - ▲ Make sure all the plastic protection is removed before assembling.
  - ▲ Do not force parts together as this can result in personal injury or damage to the product.
  - When applicable, tighten all hardware connections by hand first, once the step is completed, go back and fully tighten all hardware.
- Caution: Whilst every effort has been made in production of your appliance to remove any sharp edge, you should handle all components with care to avoid accidental injury.

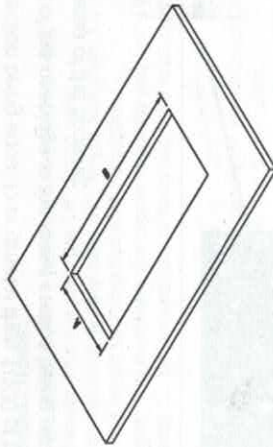
➤ Minimum Clearance From Unit To Combustible Material:

| MINIMUM CLEARANCE TO COMBUSTIBLES | INCHES | MM   |
|-----------------------------------|--------|------|
| Side Walls                        | 24     | 610  |
| Top of unit to ceiling            | 72     | 1830 |



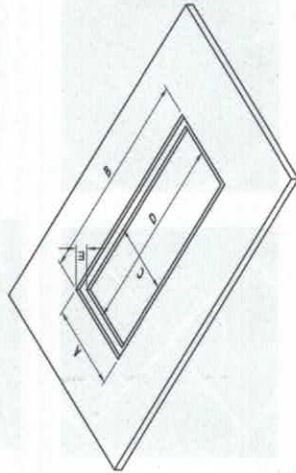
## Assembly & Operation Instruction

### Flush-Mounted Tops



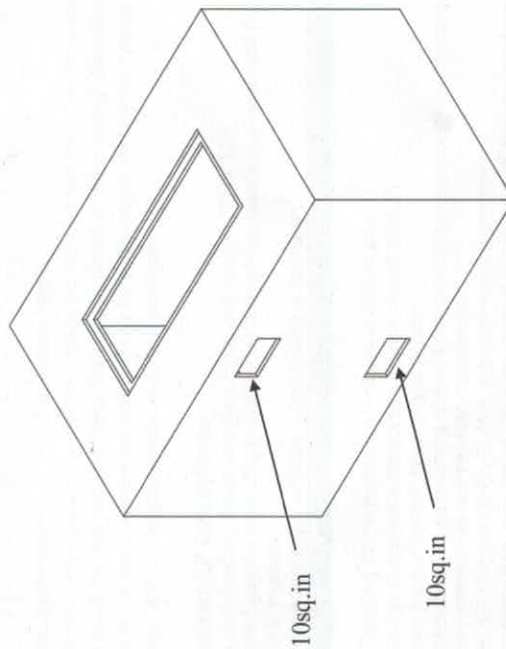
- A. MIN/MAX: 477mm/482mm
- B. MIN/MAX: 477mm/482mm

### Recessed Tops



- A. MIN/MAX: 477mm/482mm
- B. MIN/MAX: 477mm/482mm
- C. MIN/MAX: 430mm/435mm
- D. MIN/MAX: 430mm/435mm
- E. MIN: 5mm



Leave 10 square inches of ventilation on top and bottom of enclosure





- Efficient ventilation is achieved through openings in its lower and upper section; the total surface area of the openings in the upper section being equal to or greater than 1/100 of the base surface area of the housing, and that of the openings in the lower section being equal to or greater than 1/50 of the base surface area of the housing.

See **WARNING** and **Figures**:

|  |   |
|--|---|
| <p><b>⚠ WARNING</b></p> <p>This Screen must be clear and free of obstructions at all times to insure proper operation.</p>   | <p><b>Screen</b></p>  <p>Do not place glass rocks on the screen.</p> <p>KEEP SCREEN CLEAR.</p> |
| <p><b>⚠ WARNING</b></p> <p>The burner of the fire bowl must be covered by glass rocks completely. Otherwise the flame maybe extinguished. See the figure for the <b>CORRECT</b> and <b>INCORRECT</b> ways for reference.</p> |  <p style="text-align: center;"><b>CORRECT</b>                      <b>INCORRECT</b></p>       |

**Note:** Please loosely scatter the glass beads so they barely cover the burner. If the beads seem sparse please use beads from the outer edges and move them into the middle so the burner can be covered.

## 5. Installing with gas supply system

### Important Notes:

- To operate you will need a precision-filled standard G30/G31 grill LP gas cylinder with external valve threads. This is a patio gas UK clip on valve.
  - ⚠ Use standard flexible tube with length less than 1.5 m. The tube shall be readily visible across its entire length for inspection after installation.
- Danger:** You must have the proper regulator and bottle in order for the appliance to operate safely and efficiently. Use of an incorrect or faulty regulator is dangerous and will invalidate any warranty.

### Connect LP Gas cylinder

Before connecting, be sure that there is no debris caught in the head of the LP tank, head of the regulator valve or in the head of the burner and burner ports. Connect gas line to tank by turning knob clockwise until it stops, make sure that the tube is not subject to twisting, UK version is a clip-on regulator.

Do Not use this appliance with an adjustable regulator. **For your safety please use the product with a 5KG propane gas cylinder only.** The maximum diameter and the maximum height of the cylinder is 700mm and 600 mm as shown in (Fig.1).

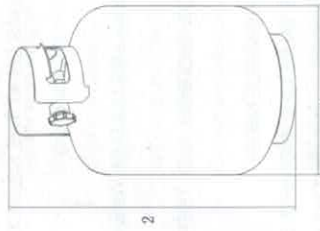


Fig.1

- 1: maximum diameter
- 2: maximum height

Pay attention when placing the cylinder inside the table, ensure the hose connected to the cylinder door, do not touch the hot surface. Keep the cylinder stored in place during operation. Never put the spare cylinder in the same cylinder enclosure. Never block the way of shut off the cylinder valve.

**Warning:** Shut off the gas cylinder when you smell gas.

### Disconnect LP Gas cylinder

Before disconnecting make sure the LP gas tank valve in "CLOSED"

Disconnect gas line from LP gas cylinder by turning knob counterclockwise until it is loose, UK version is a clip 'on/off' regulator. After connecting to gas cylinder, a leak testing is necessary.

**Danger:** When changing the gas container, care must be taken to keep away from any source of ignition.

### Leak Testing (To be performed in a well-ventilated area)

- Confirm all appliance control knobs are in the off position.
- Open the gas control valve on gas cylinder.
- Check for leaks by brushing soap solution over all gas system joints, including all valve connections, hose connections and regulator connections.
- ⚠ NEVER USE AN OPEN FLAME to test for leaks at anytime.
- If bubbles form over any of the joints, there is a leak. Turn off the gas supply and retighten that joint. Repeat the test. If bubbles form again, stop trying; contact your local dealer for assistance. Leak test annually, and whenever the gas cylinder is removed or replaced.



## 6. Operating instructions

### Warnings

- ⚠ Before proceeding, make certain that you have assembled the appliance according to instructions.
- ⚠ Never use your fireplace in a building, garage, shed, or any other enclosed area.
- ⚠ Never obstruct the flow of ventilation air around your gas grill housing.

### Before lighting

Inspect the gas supply hose prior to turning the gas "ON". If there is evidence of cuts, wear or abrasion, it must be replaced prior to use. Check leakage before use. Do not use the grill if the odor of gas is present.

### Lighting instructions:

READ ALL INSTRUCTIONS PRIOR TO LIGHTING. USE OUTDOORS ONLY. KEEP FACE AND BODY AWAY FROM BURNER AREA WHEN LIGHTING. COVER MUST BE REMOVED WHEN BURNER IS IN OPERATION.

ENSURE CONTROL KNOB IS IN THE OFF POSITION, THEN TURN THE GAS ON AT THE SOURCE (PROPANE CYLINDER VALVE OR NATURAL GAS SUPPLY VALVE).

1. PRESS AND HOLD ELECTRONIC IGNITER BUTTON.
2. TURN THE BURNER CONTROL KNOB TO THE LOW POSITION, PRESS AND HOLD IN. WHEN THE BURNER LIGHTS, RELEASE THE ELECTRONIC IGNITER BUTTON.
3. CONTINUE TO DEPRESS THE BURNER CONTROL KNOB FOR 30 SECONDS AND THEN RELEASE. IF THE FLAME GOES OUT, REPEAT THE PROCEDURE.
4. ADJUST THE FLAME TO THE DESIRED HEIGHT WITH THE BURNER CONTROL KNOB.

IF THE BURNER DOES NOT LIGHT WITHIN 10 SECONDS, TURN THE VALVE OFF AND WAIT 5 MINUTES FOR ANY GAS TO DISSIPATE BEFORE REPEATING THE PROCEDURE. IF THE UNIT WILL NOT LIGHT WITH THE ELECTRONIC IGNITER, HOLD A LIT LONG MATCH OR LIT LONG BUTANE LIGHTER TO THE IGNITION AREA OF THE BURNER AND CONTINUE WITH STEP 2.

TO SHUT DOWN THE BURNER, TURN THE BURNER CONTROL KNOB CLOCKWISE TO THE OFF POSITION. THEN TURN THE GAS OFF AT THE SOURCE (PROPANE CYLINDER VALVE OR NATURAL GAS SUPPLY VALVE).

## 7. Cleaning and maintenance

To enjoy years of outstanding performance from your appliance, regular services of the appliance is mandatory as follows:

- The appliance should be inspected at least one time a year by a Qualified Service only. More frequent cleaning may be required according to the use of the appliance.
- Any guard or other protective device removed for servicing the appliance must be replaced before operating it.
- Keep exterior surfaces clean, free and clear from combustible materials.
- Use warm soapy water for cleaning. Never use flammable or corrosive cleaning agents.
- While washing your unit makes sure to keep the area around the burner assembly dry at all times. If the gas control is exposed to water in any way, **DO NOT** try to use it. It must be replaced.
- Burner and LPG compartment circulating air passageways of the appliance must be kept clean.
- Airflow must be unobstructed. Keep controls, burner and circulation air passageways clean. Signs of possible blockage include: Gas odor with extreme yellow tipping of flame/ Appliance glow is excessively uneven/ Appliance makes popping noises
- Spiders and insects can nest in burner or orifices. This dangerous condition can damage the appliance and render it unsafe for use. Clean burner holes by using a heavy-duty pipe cleaner. Compressed air may help clear away smaller particles.
- Carbon deposits may create a fire hazard. If any carbon deposits develop, clean burner and fire pit with warm soapy water.
- After the burner and glass rocks are completely cooled down, remove it from the bowl and use a soft brush to get rid of the mild stains, loose dirt and soil. Wipe with a soft cloth.
- Clean the bowl and afterward put glass rocks again in proper position.
- For cleaning, a vacuum cleaner can be used to removed dirt and debris.

**Note: In a salt-air environment (such as near the sea), corrosion occurs more quickly than normal. Frequently check the corroded areas and repair them promptly. Stubborn stains, discoloration and possibly rust pitting can occur from exposure to harsh outdoor conditions. Be careful not let any powder or solvent come in contact with painted or plastic components as damage may occur.**

*After long use, some discoloration can occur and this is normal.*

Make sure both gas supplies is in OFF position before changing battery. Please refer to the process of assembling battery.

Please contact the Manufacturer or dealer for information regarding replacement hoses, thermocouples, igniters, glass rocks, etc.

**Attention: Never use unauthorized parts or component for this appliance.**

**Use only original equipment replacement spare parts and components.**

**Otherwise it may void the warranty of this product and result in a hazardous condition.**



## STORAGE (after use)

- Turn control knob in "OFF" position (full disk).
- Turn LPG cylinder in "OFF" position.
- Store the appliance in a cool dry place away from direct sunlight; store it upright in an area sheltered from direct contact with inclement weather (such as rain, sleet, hail, snow, dust and debris).
- If desired, cover to protect exterior surfaces and to prevent build up in air passages.

**Note: Wait until appliance is cool before covering.**

*During periods of extended inactivity or when transporting:*

- Turn control knob in "OFF" position (full disk).
- Disconnect LPG cylinder and move to a secure, well ventilated location outdoors. DO NOT store in a location that will exceed 50 °C.
- Store appliance upright in an area sheltered from direct contact with inclement weather (such as rain, sleet, hail, snow, dust and debris).
- If desired, cover appliance to protect exterior surfaces and to prevent build up in air passages.

**Note: Wait until appliance is cool before covering.**

## 8. Troubleshooting

| Problem:   | Condition:  | Solution suggested:  |
|--|---|--|
| Burner won't light   | Control knob is not in Maximum position (big, flame).                             | Turn control knob in Maximum position (big flame).   |
|  | LPG cylinder valve is closed / Empty.   | Open the valve / Replace LPG cylinder with a new one.  |
|  | Blockage in the injector.   | Clean or replace injector.   |
|  | Air in the gas circuit.   | Open gas line and bleed it (pressing control knob in) for not over 1 minute or until you smell gas.  |
| Burner won't stay lit  | Low gas pressure.   | Replace LPG cylinder with a new one.   |
|  | Igniter fails.  | Use match to light burner; change battery or obtain new igniter and replace it.  |
|  | Dirty build up around burner.   | Clean dirt off the burner.   |
|  | Low flames or not full running around the burner.                                 | Flame spreader holes partially closed; clean the burner.   |
| Burner flame is low<br>Note: Do not operate appliance below 5 °C | Thermocouple is not operating correctly.  | Replace thermocouple (FSD).  |
|  | Low Gas pressure.   | Replace LPG cylinder with a new one.   |
|  | Outdoor temperature is greater than 5 °C and LPG cylinder is less than 25 % full. | Replace LPG cylinder with a new one.   |
|  | Gas pipe is bent or kinked.   | Straighten hose and perform leakage test on gas pipe.  |
|  | Control knob is fully Maximum position (big flame).                               | Turn control knob to "OFF" position (full disk), let the burner cool to room temperature and check burner and orifices for blockage.   |
| Carbon build-up<br>Flash back (flame inside burner)              | Dirty or film on burner.  | Clean burner.  |
|  | Burner ports are blocked.   | Switch OFF the appliance. Close LPG cylinder valve. Wait 2 minutes, following the ignition procedure. Ignite burner. If problem continuous, switch-off. Contact your dealer. |
| Thick black smoke  | Blockage in the burner.   | Turn control knob to "OFF" position, let the appliance cool to room temperature and remove blockage and clean burner inside and outside.                                     |

**If you are having difficulties with this item then please contact the dealer you purchased the item from or call Supremo on 01952671100.**

**Alternatively, you can email our service team at [help@supremouk.com](mailto:help@supremouk.com)**