

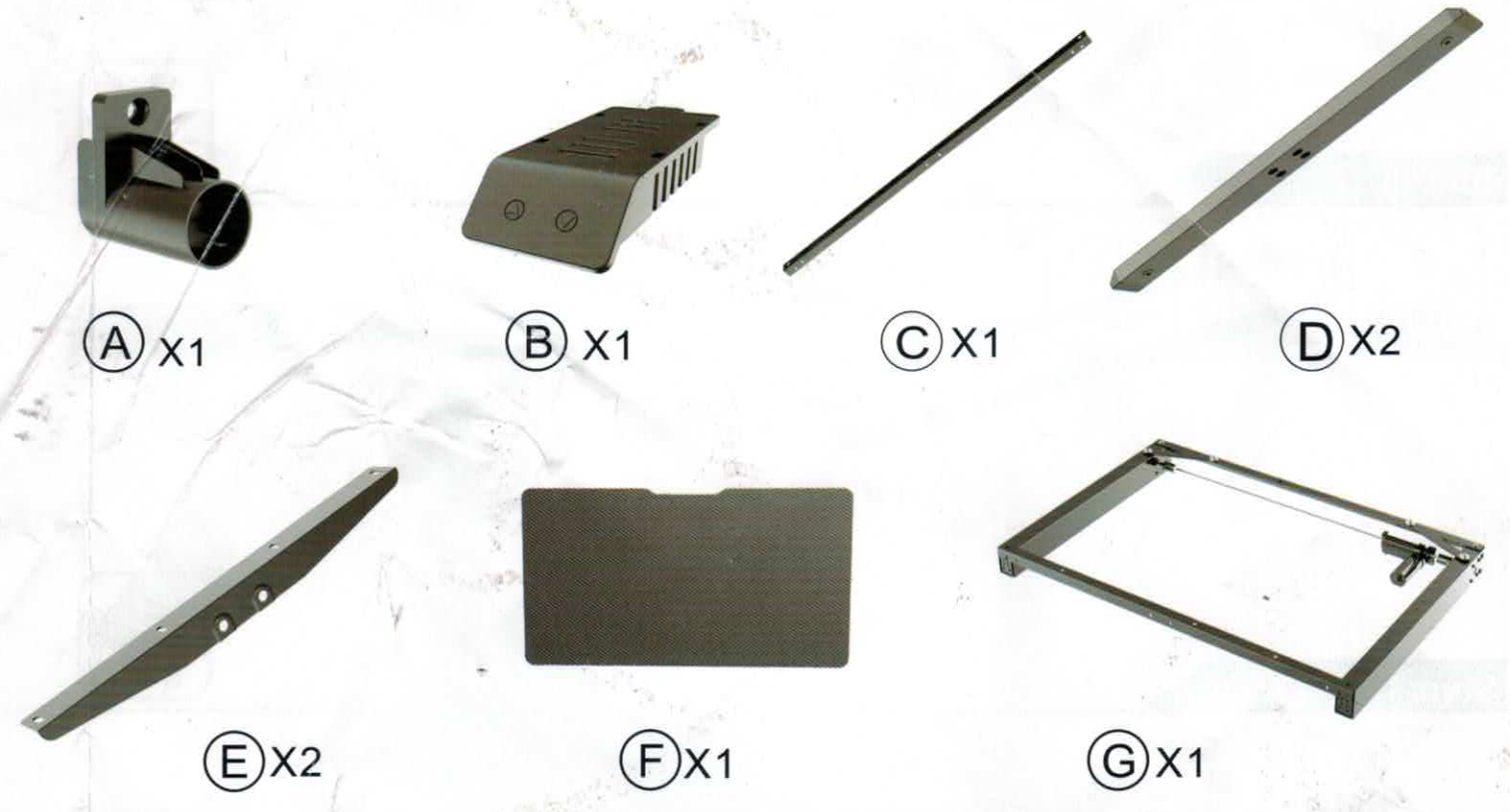
# ***STANDING DESK***

## **Assembly Instruction**

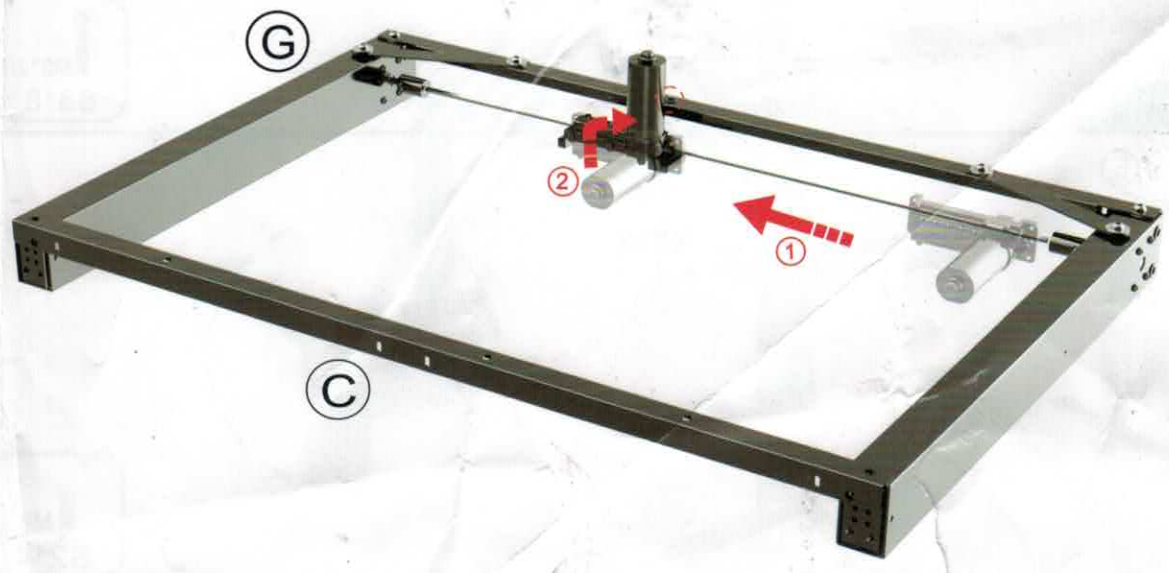


# Parts list

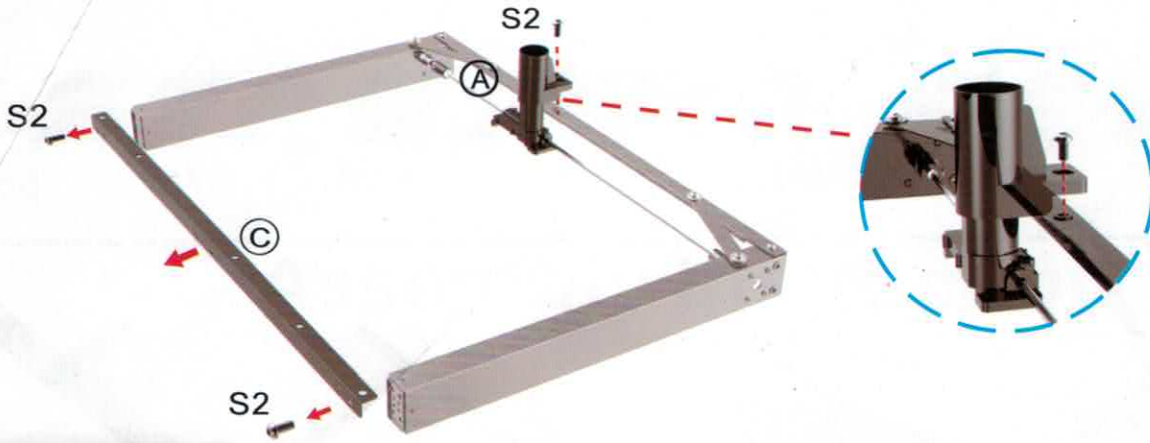
 M10*20	 M8*16	 M8*25	 M4*14	 S5*4	 4mm S6*1	 5mm S7*1	 6mm S8*1
S1*2	S2*5	S3*8	S4*20	S5*4	S6*1	S7*1	S8*1



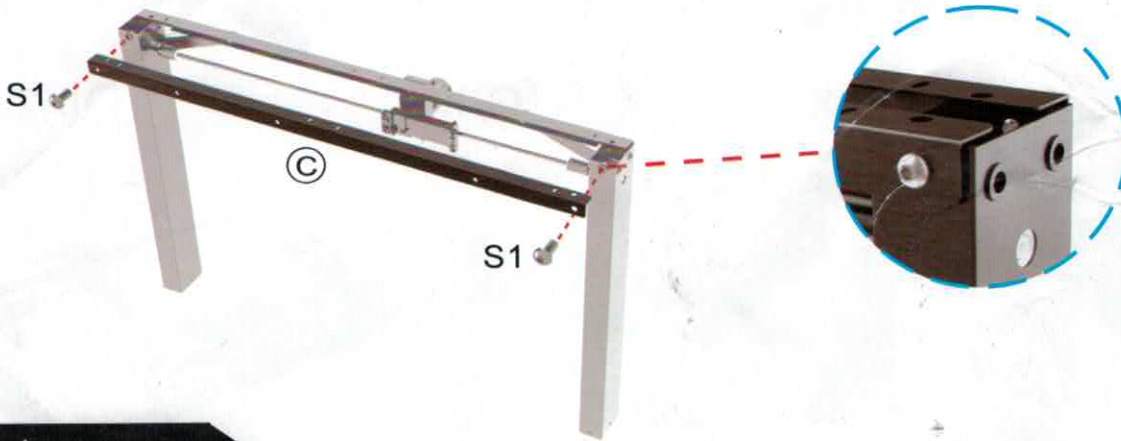
# Step. 1



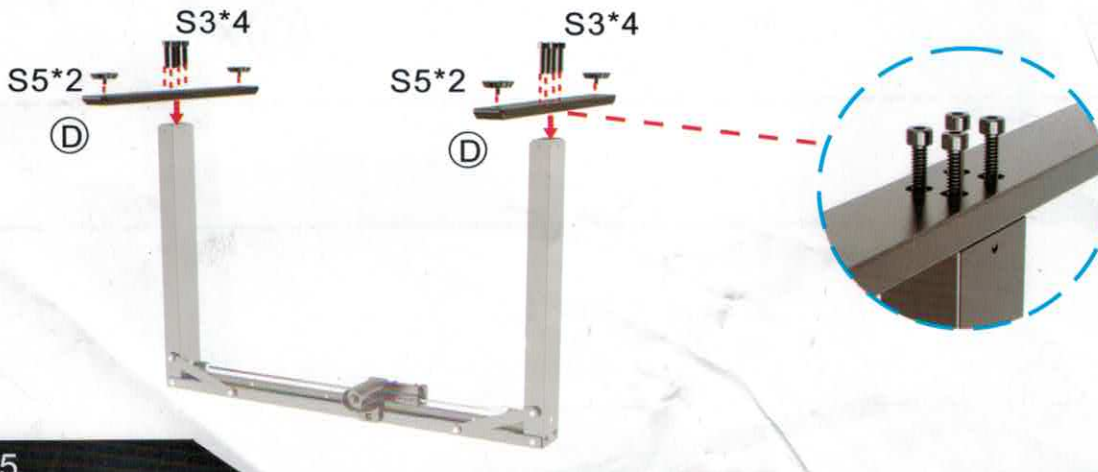
Step.2



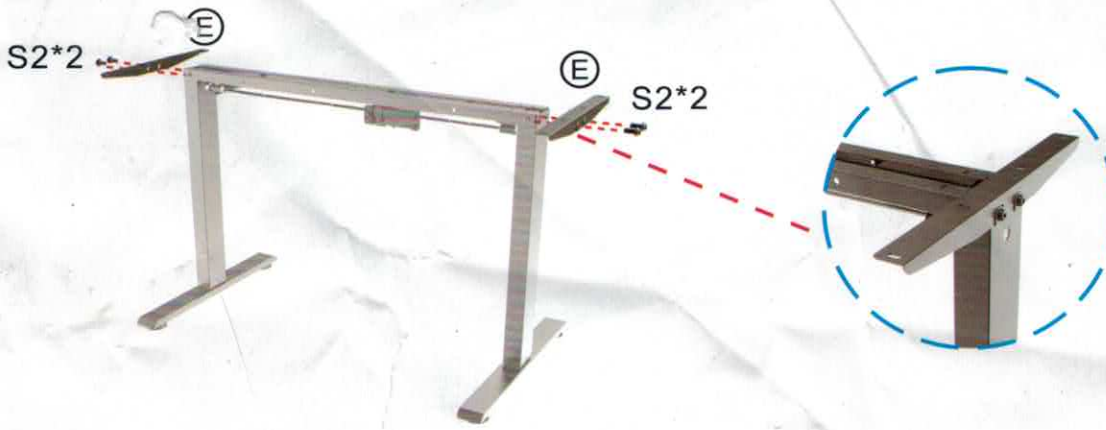
Step.3



Step.4



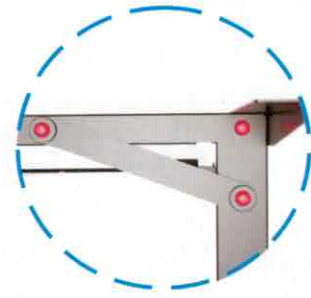
Step.5



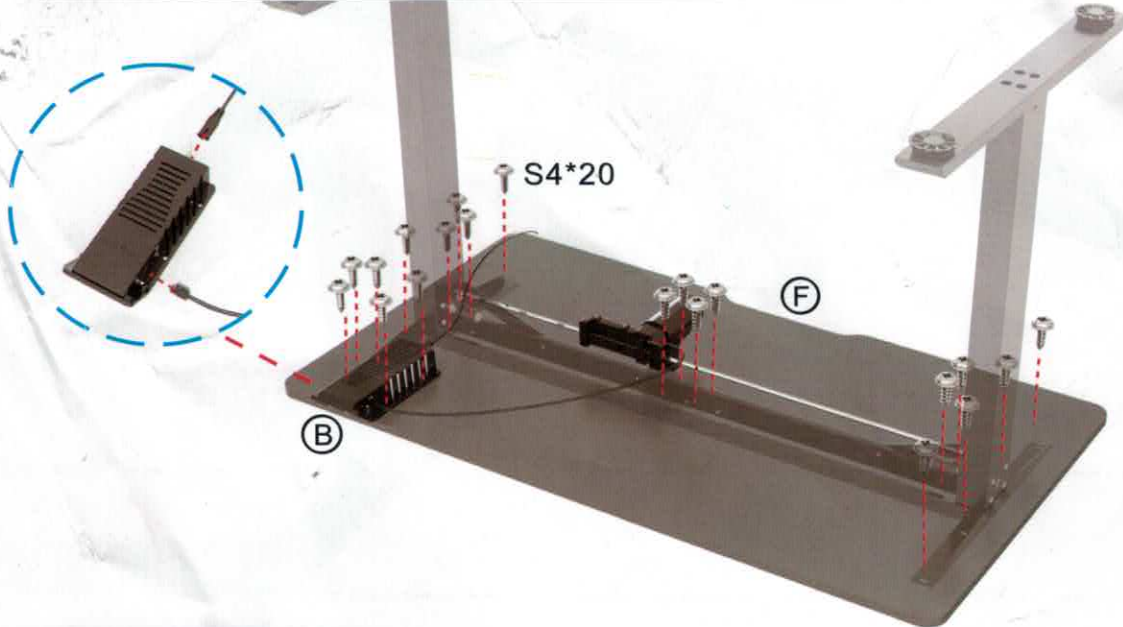
### Step.6



Please make sure the table legs are vertical to the connecting rod . And then tighten all the screws.



### Step.7



### Step.8

