

# ASSEMBLY INSTRUCTION

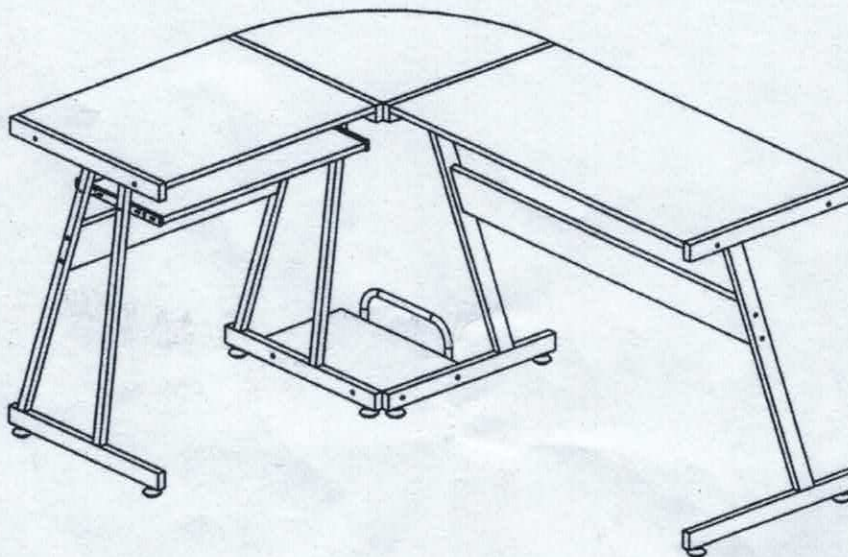
DO NOT USE A POWER DRILL TO TIGHTEN THE SCREWS  
-TIGHTEN BY HAND WITH THE ALLEN KEY PROVIDED.

Before use please check all fixings are tightened fully.

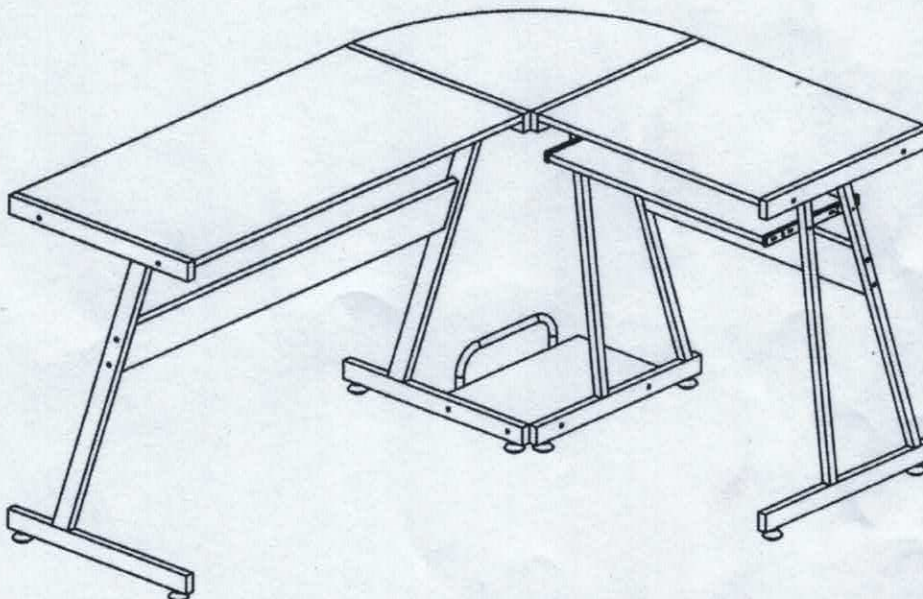
Do not tighten bolts fully until you have completed assembly.

PS: Choose the larger Board 1 on the left or on the right according to your personal habits.

If you want the desk like this , please follow Step 1, Step 2, Step 3-1, Step 4-1, Step 5-1, Step 6-1, Step 7-1, Step 8-1, Step 9-1, Step 10-1.

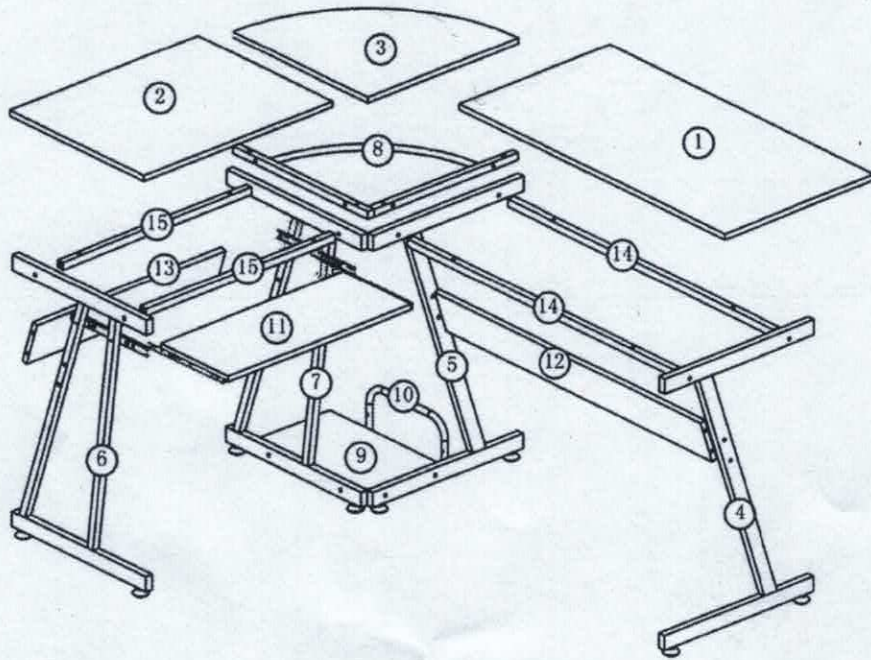


If you want the desk like this , please follow Step 1, Step 2, Step 3-2, Step 4-2, Step 5-2, Step 6-2, Step 7-2, Step 8-2, Step 9-2, Step 10-2.



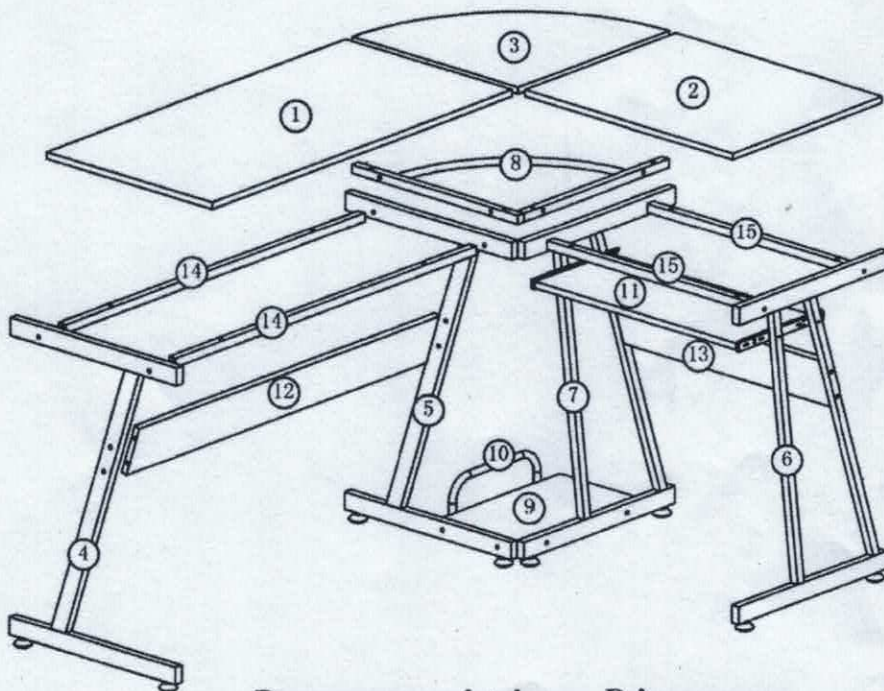
# ASSEMBLY INSTRUCTION

## Method One



Decomposition Diagram

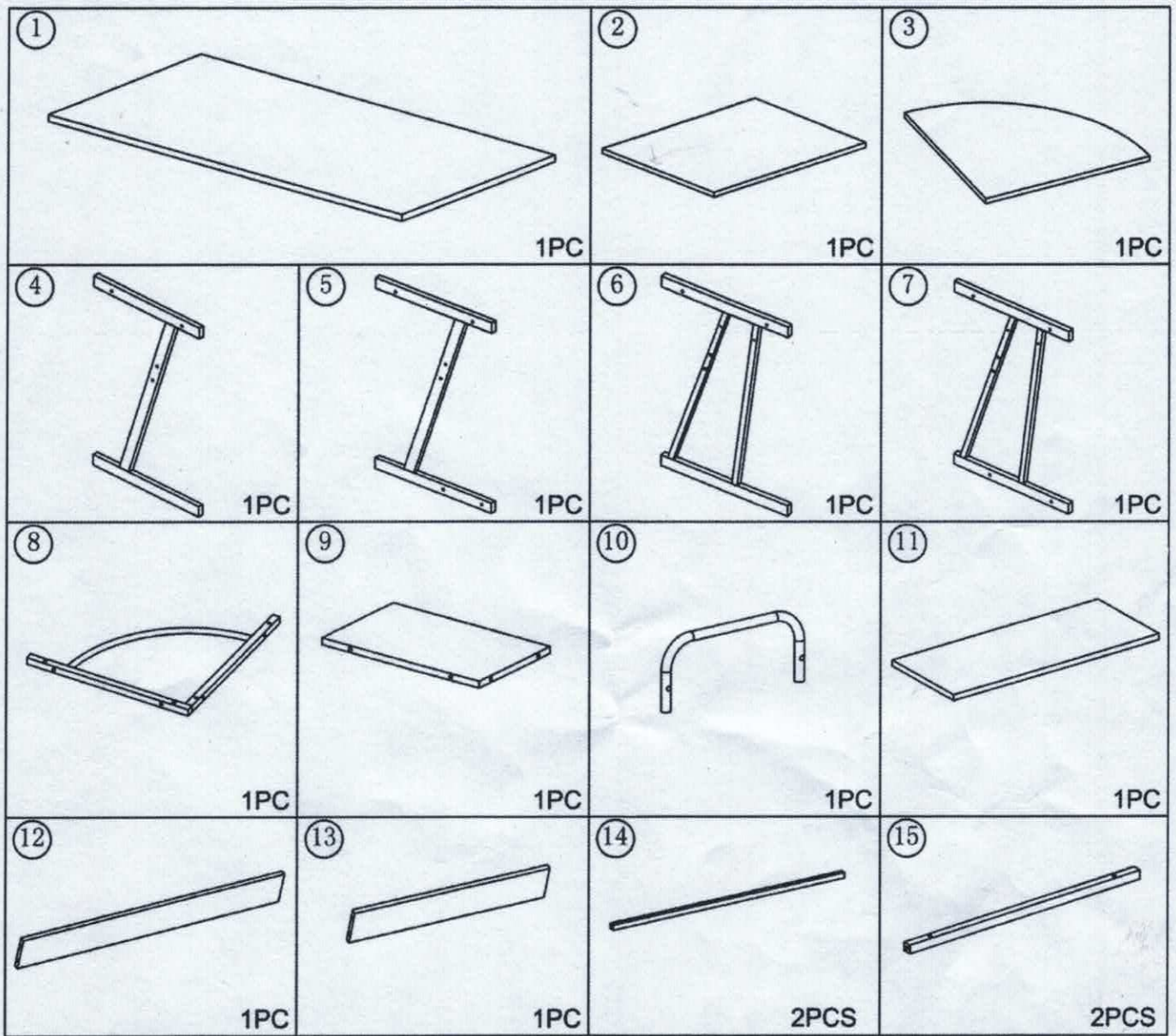
## Method Two



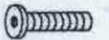

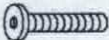
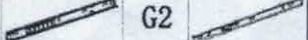
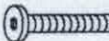




Decomposition Diagram

# ASSEMBLY

# INSTRUCTION



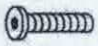

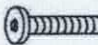

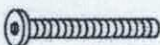

### Hardware accessories

No.	PICTURE	SIZE	QTY	No.	PICTURE	SIZE	QTY
A		M6*30	12	F		ST4*10	4
B		M6X35	18	G			2
C		M6*55	4	H			8
D		M6*16	32				
E		ST3. 5X12	4				1

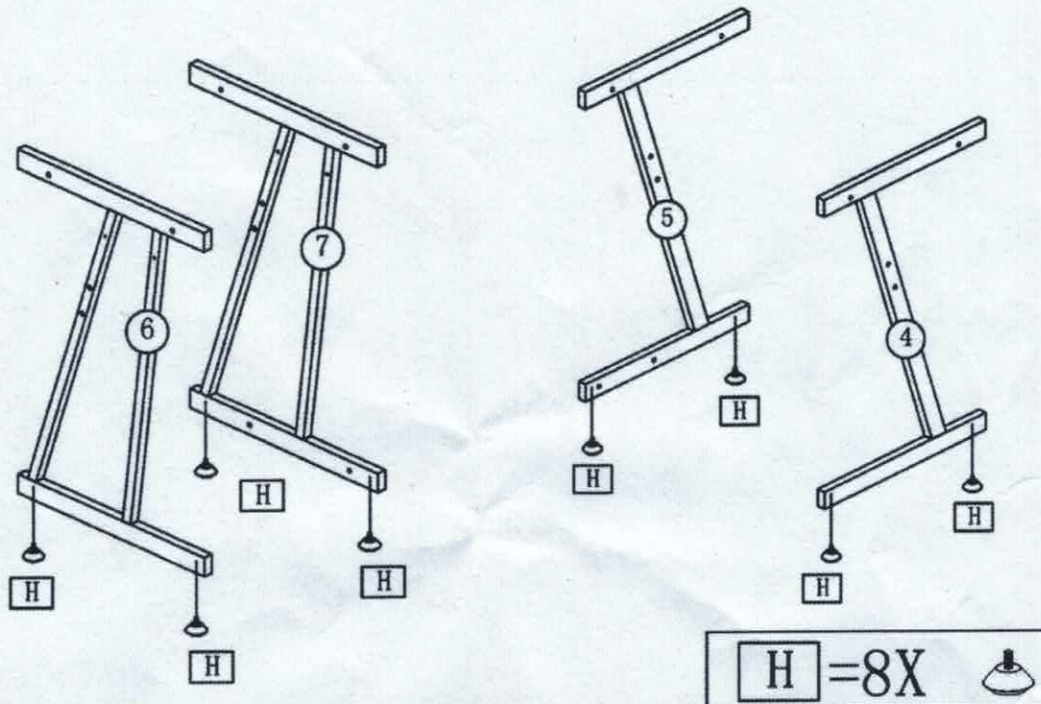
# ASSEMBLY

# INSTRUCTION

Spare

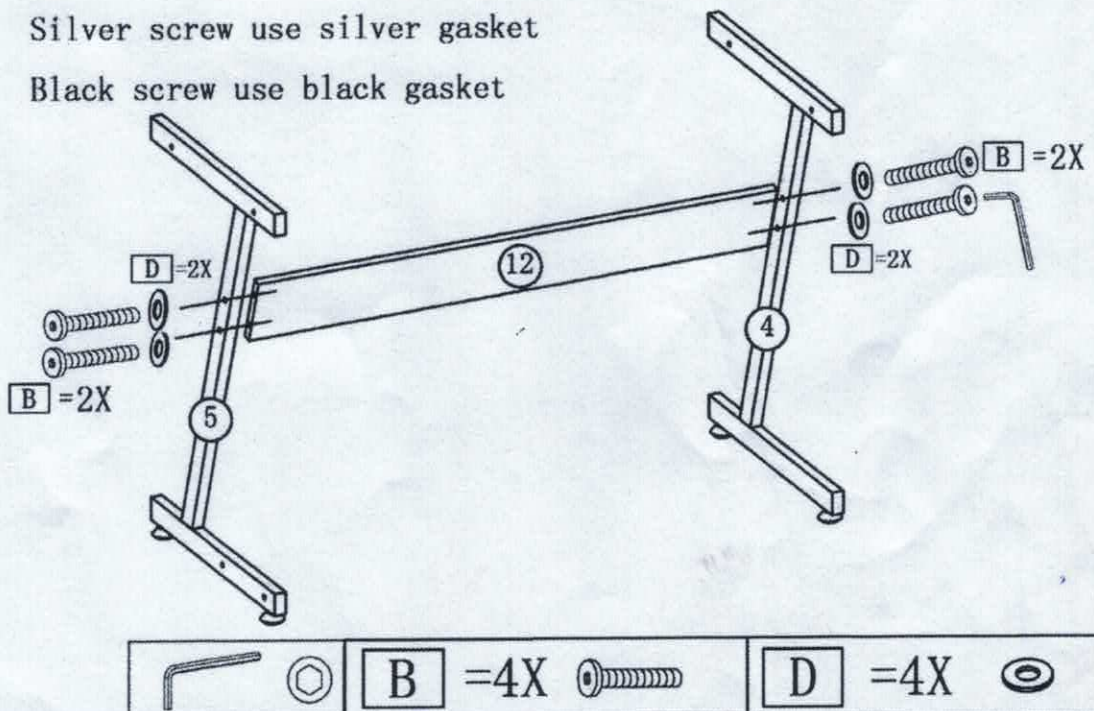
No.	PICTURE	SIZE	QTY	No.	PICTURE	SIZE	QTY
A		M6*30	1	D		M6*16	2
B		M6X35	1	E		ST3. 5X12	1
C		M6*55	1	F		ST4*10	1

## STEP 1



## STEP 2

Silver screw use silver gasket  
Black screw use black gasket

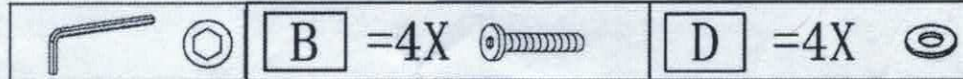
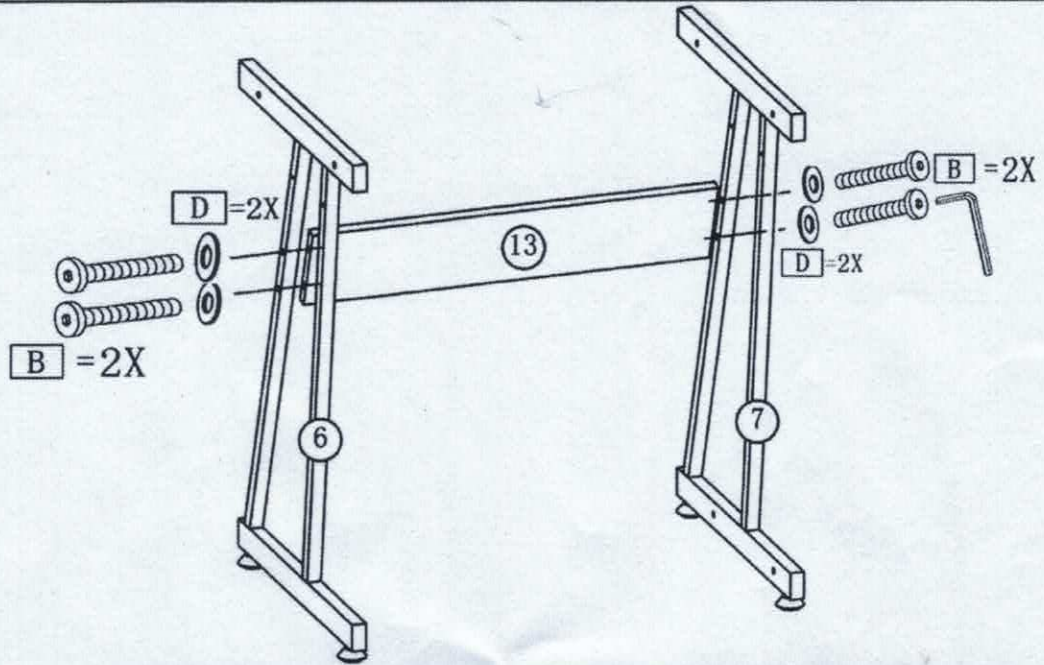


# ASSEMBLY

# INSTRUCTION

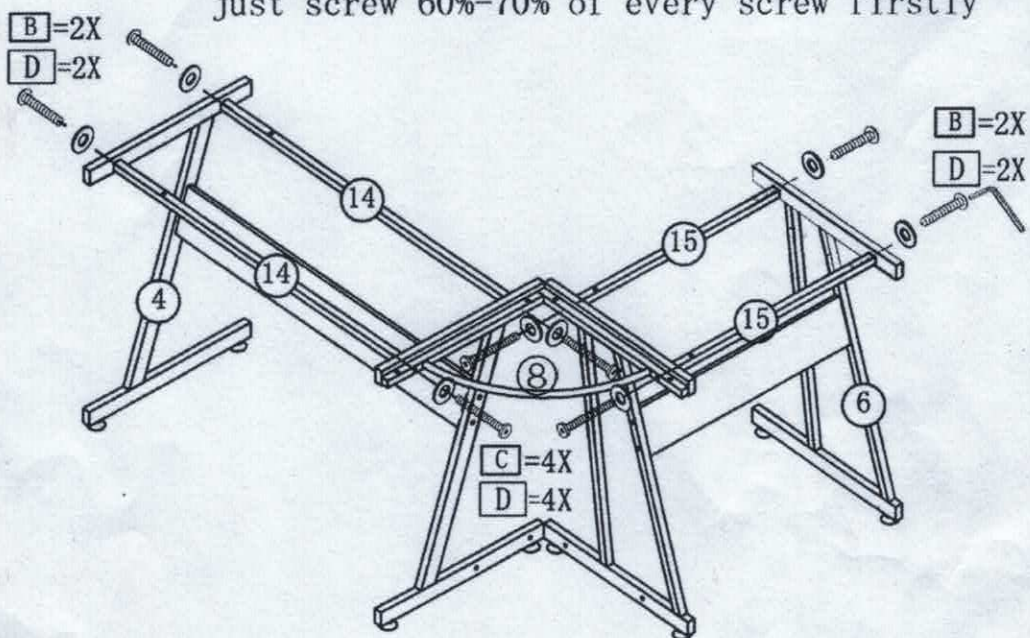
## Method One

### STEP 3-1



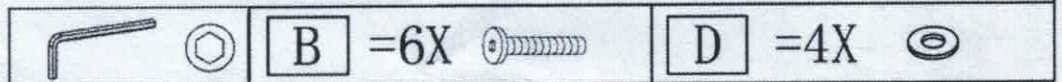
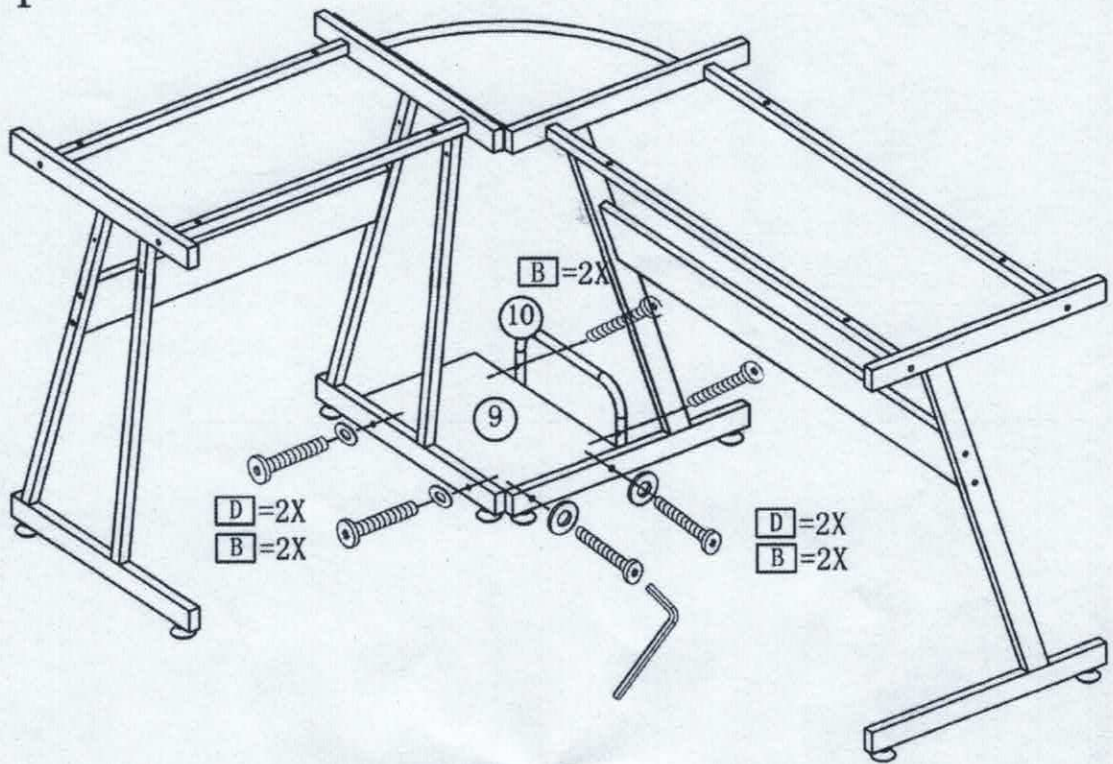
### STEP 4-1

Please put all of these screws into the holes and just screw 60%-70% of every screw firstly

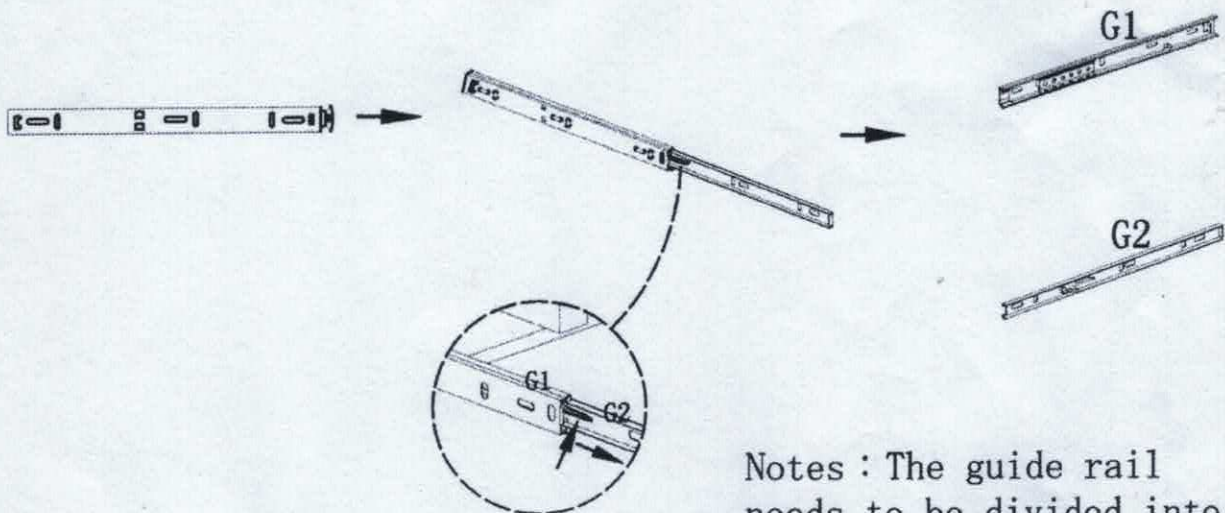


# ASSEMBLY INSTRUCTION

## STEP 5-1



## STEP 6-1



Notes : The guide rail needs to be divided into two before proceeding to the next step.

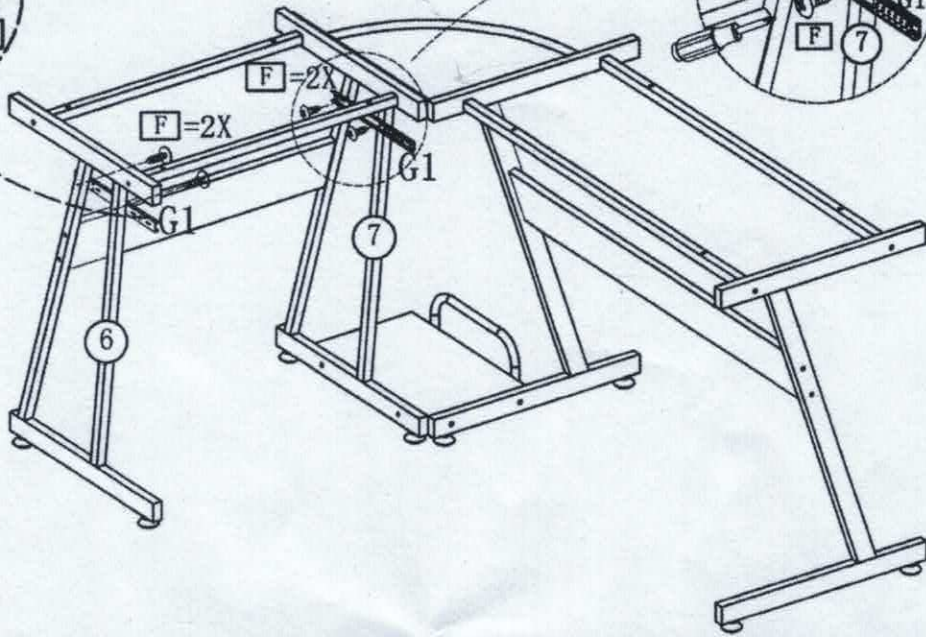
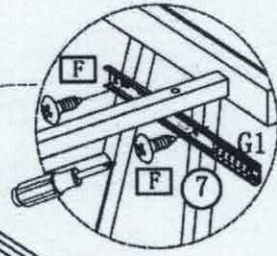
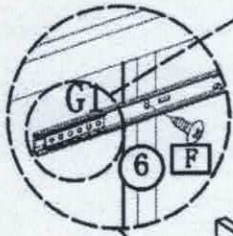


# ASSEMBLY

# INSTRUCTION

## STEP 7-1

Notes: This sliding part needs to be pushed out so that steps 10-1 / 10-2 are easier to install.



**F** = 4X

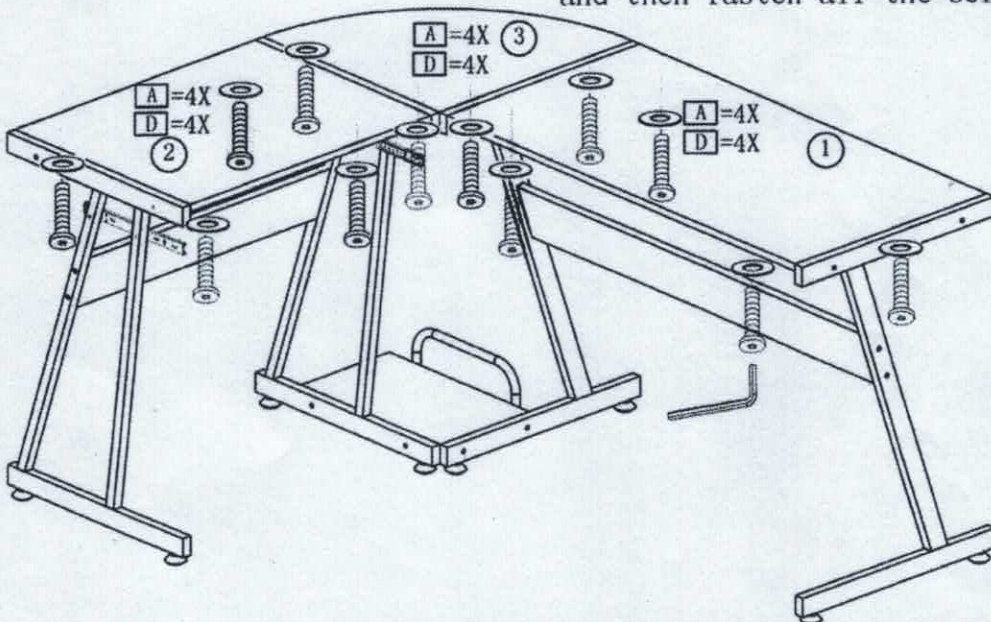


**G1** = 2X



## STEP 8-1

Silver screw use silver gasket  
Please put all of these screws into the holes  
and just screw 60%-70% of every screw firstly,  
and then fasten all the screws



**A** = 12X



**D** = 12X

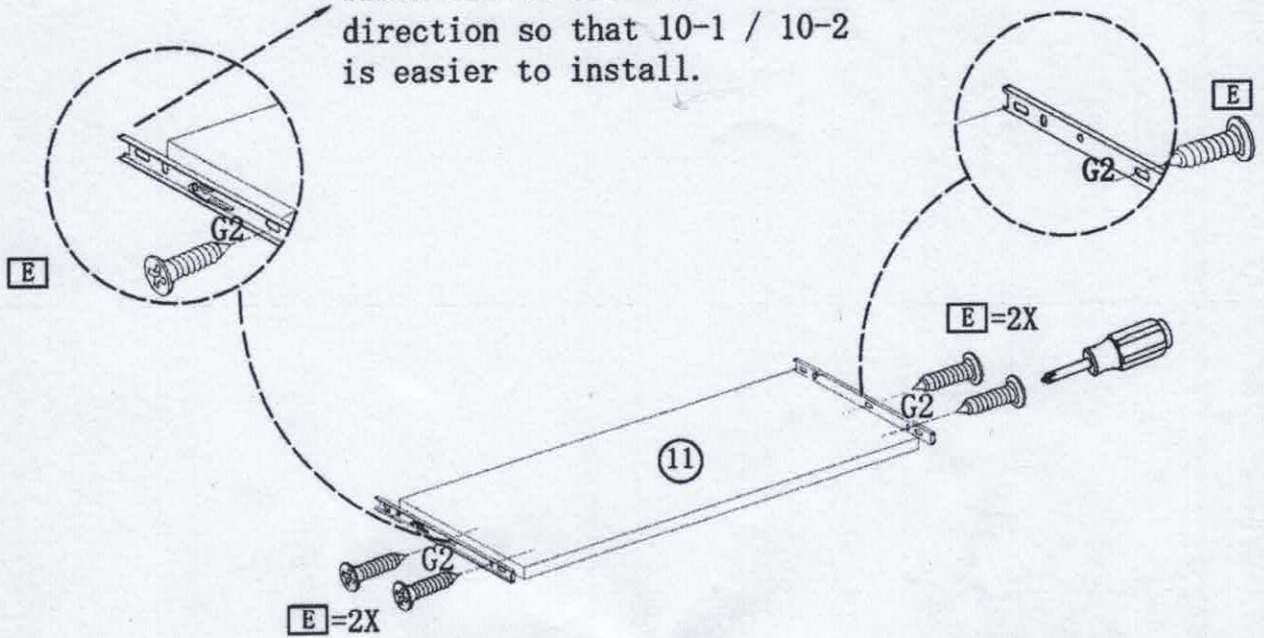


# ASSEMBLY

# INSTRUCTION

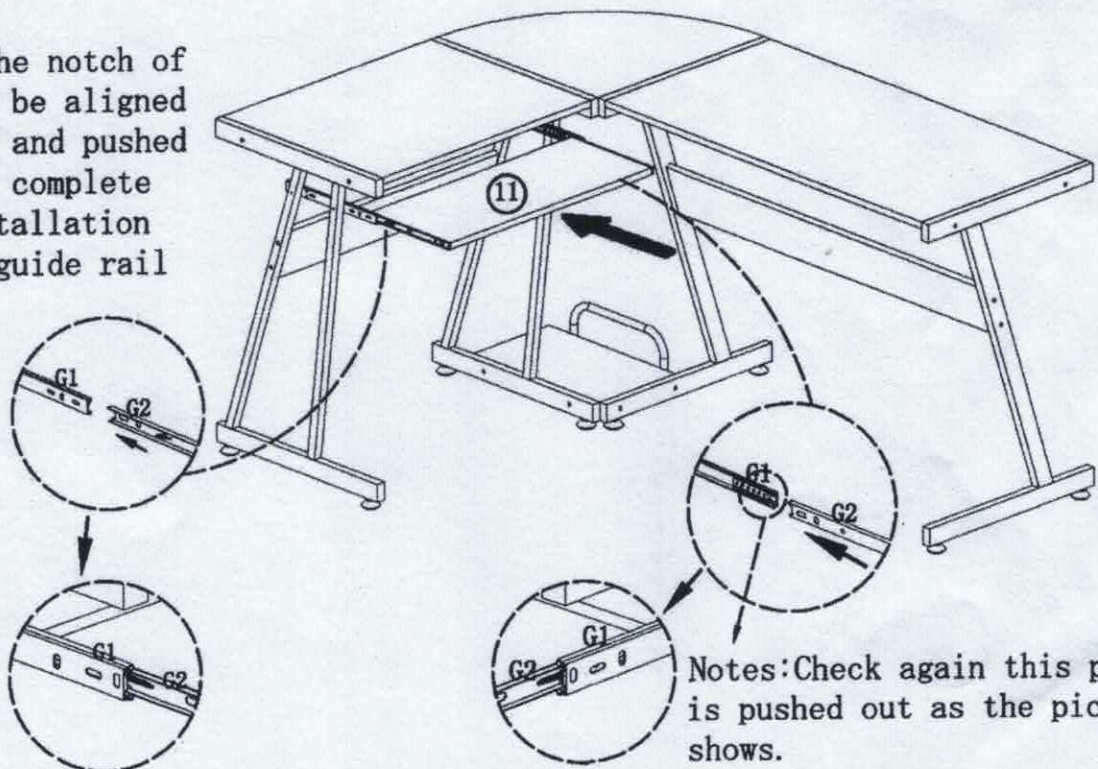
## STEP 9-1

Notes: The notch of G2 must be installed in the same direction so that 10-1 / 10-2 is easier to install.



## STEP 10-1

Notes: The notch of G2 must be aligned with G1 and pushed hard to complete the installation of the guide rail

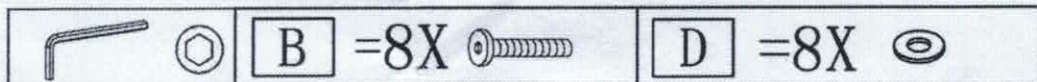
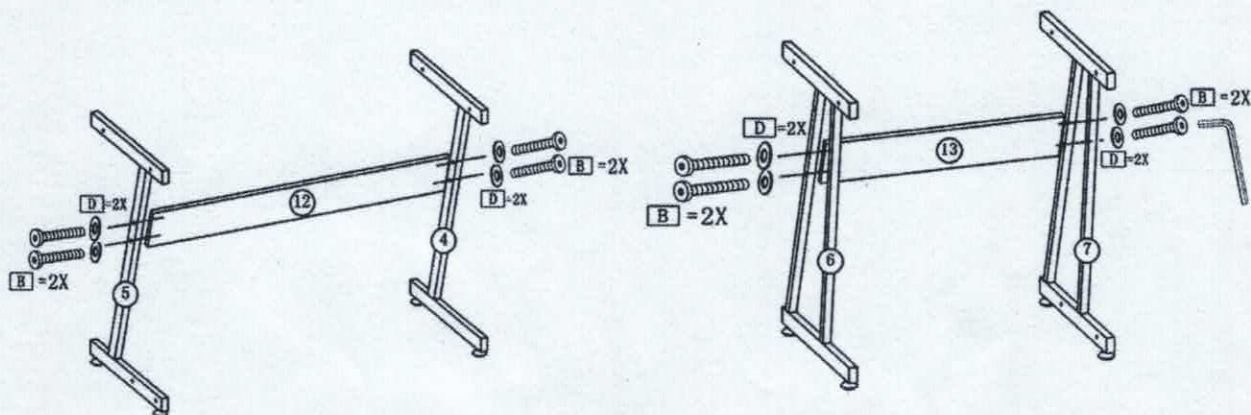




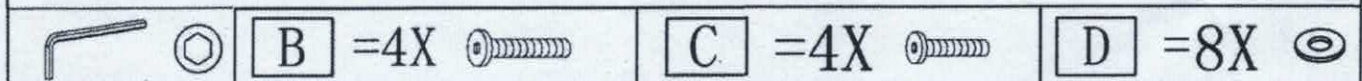
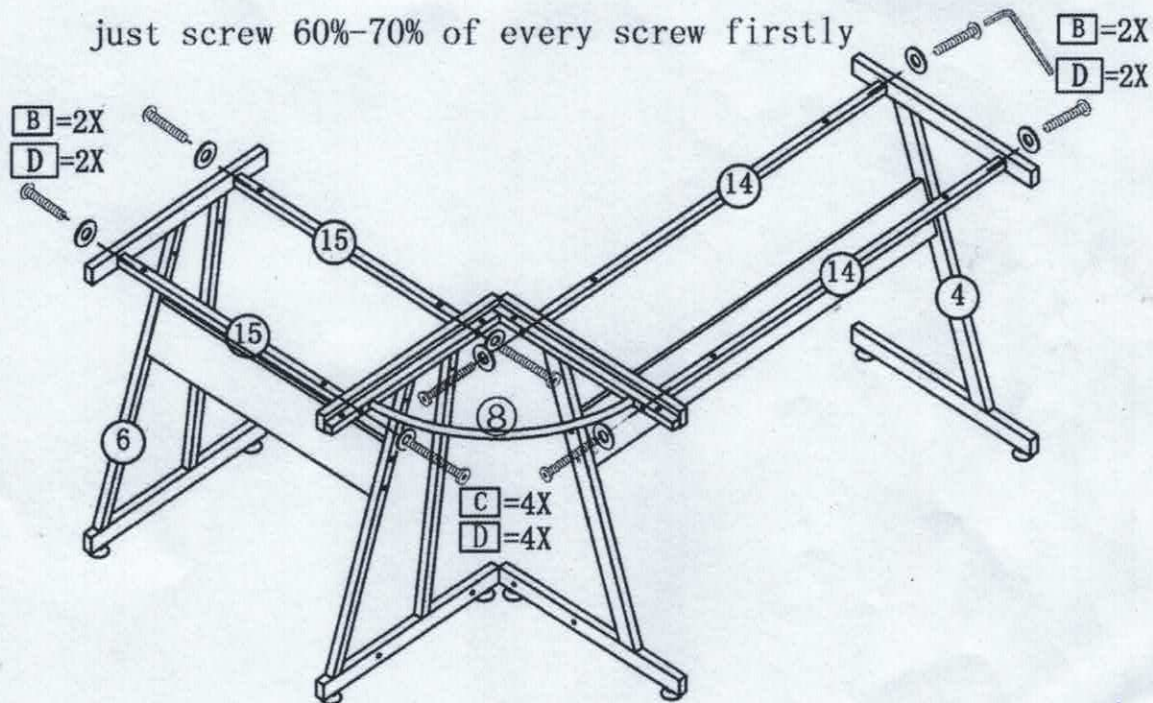
# ASSEMBLY INSTRUCTION

## Method Two

### STEP 3-2

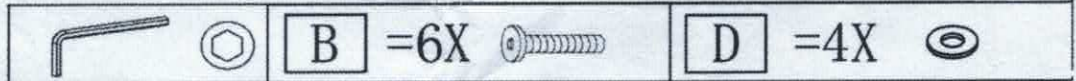
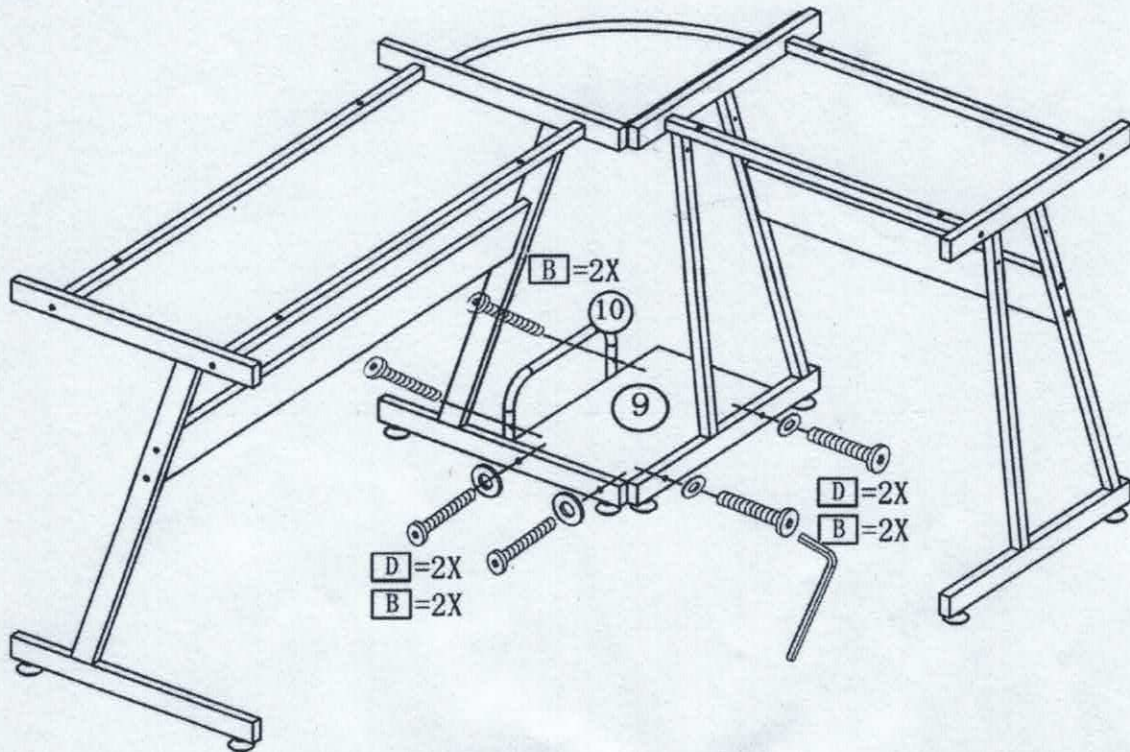


STEP 4-2 Please put all of these screws into the holes and just screw 60%-70% of every screw firstly

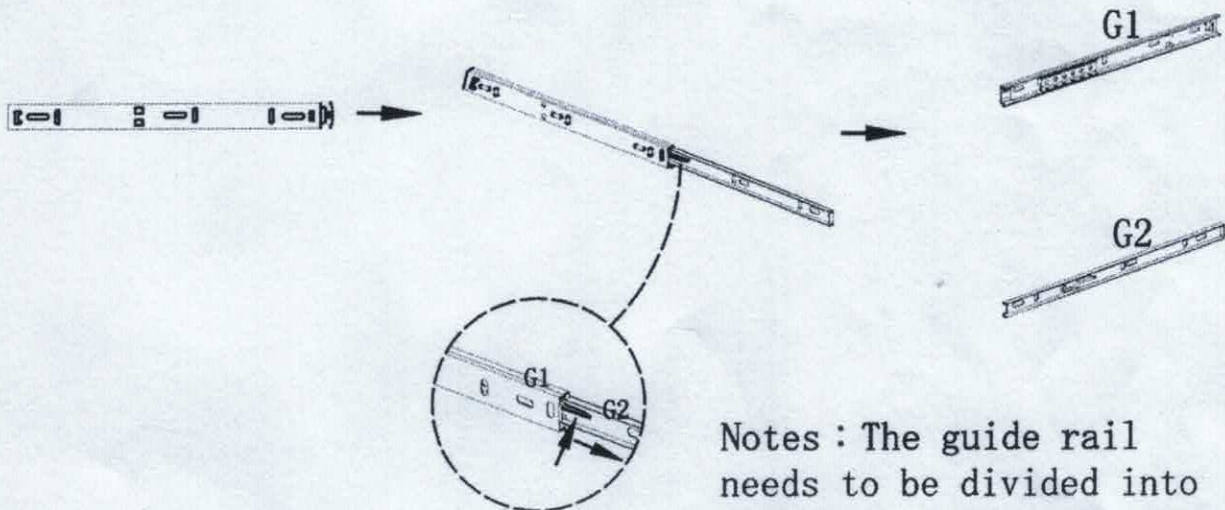


# ASSEMBLY INSTRUCTION

## STEP 5-2



## STEP 6-2



Notes : The guide rail needs to be divided into two before proceeding to the next step.

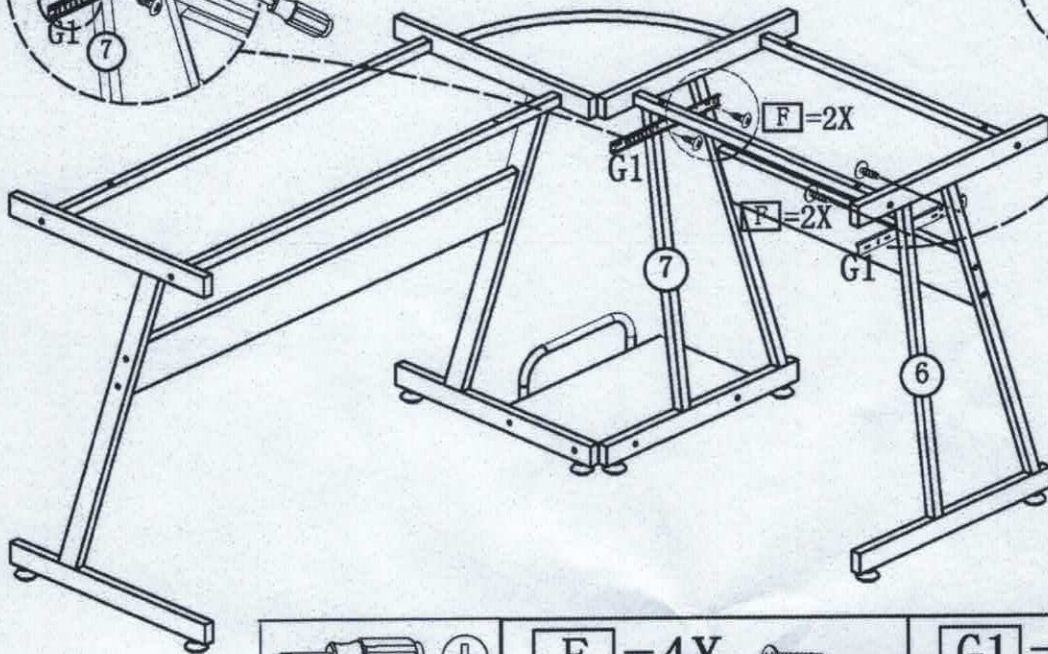
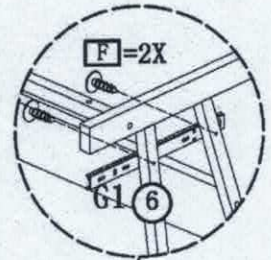
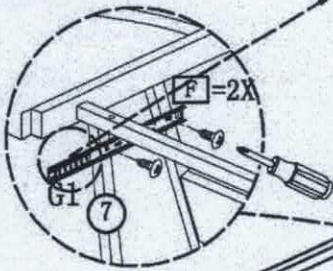


# ASSEMBLY

# INSTRUCTION

## STEP 7-2

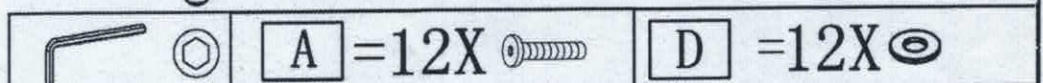
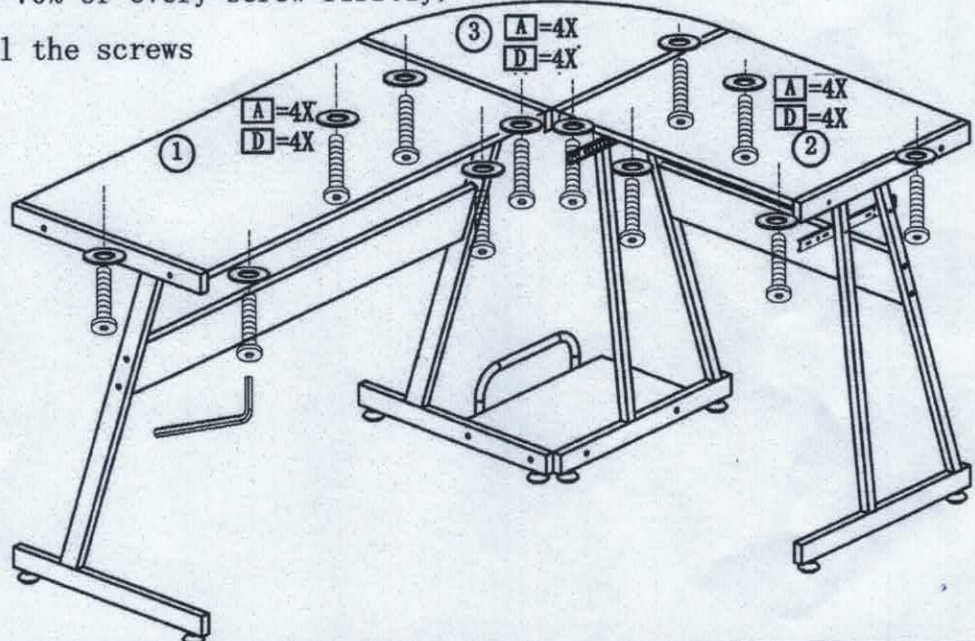
Notes: This sliding part needs to be pushed out so that steps 10-1 / 10-2 are easier to install.



## STEP 8-2

Silver screw use silver gasket

Please put all of these screws into the holes and just screw 60%-70% of every screw firstly, and then fasten all the screws

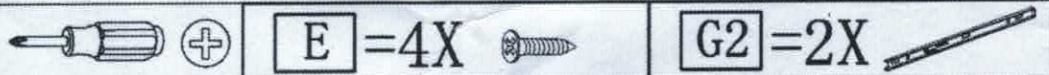
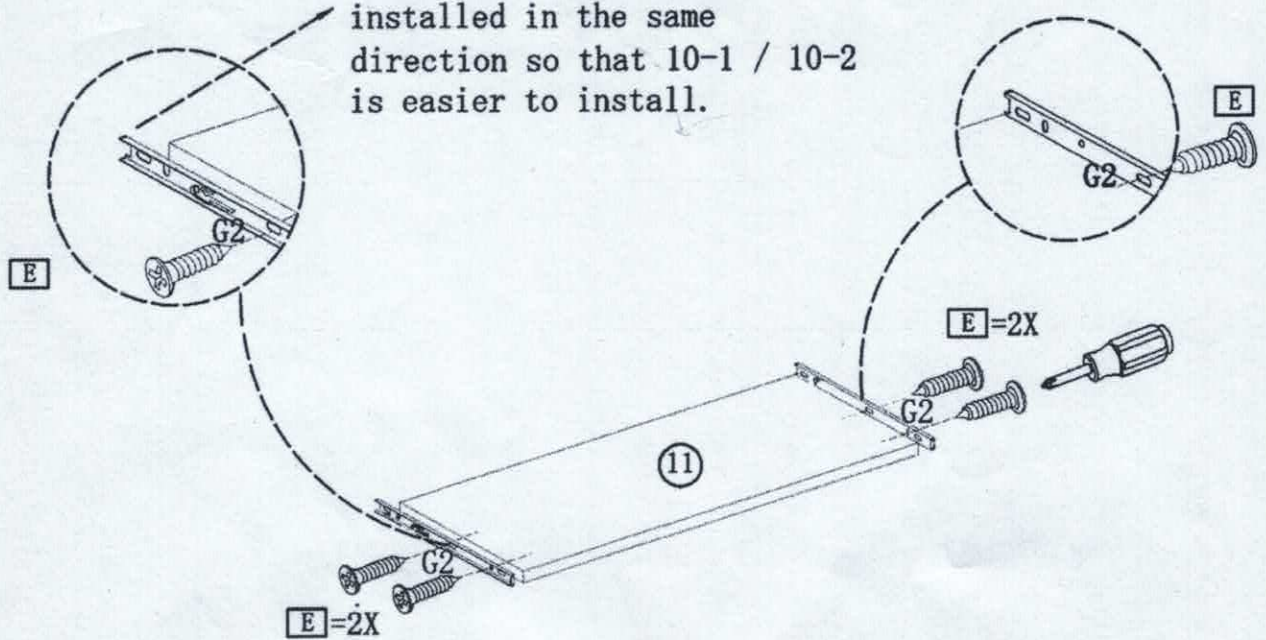


# ASSEMBLY

# INSTRUCTION

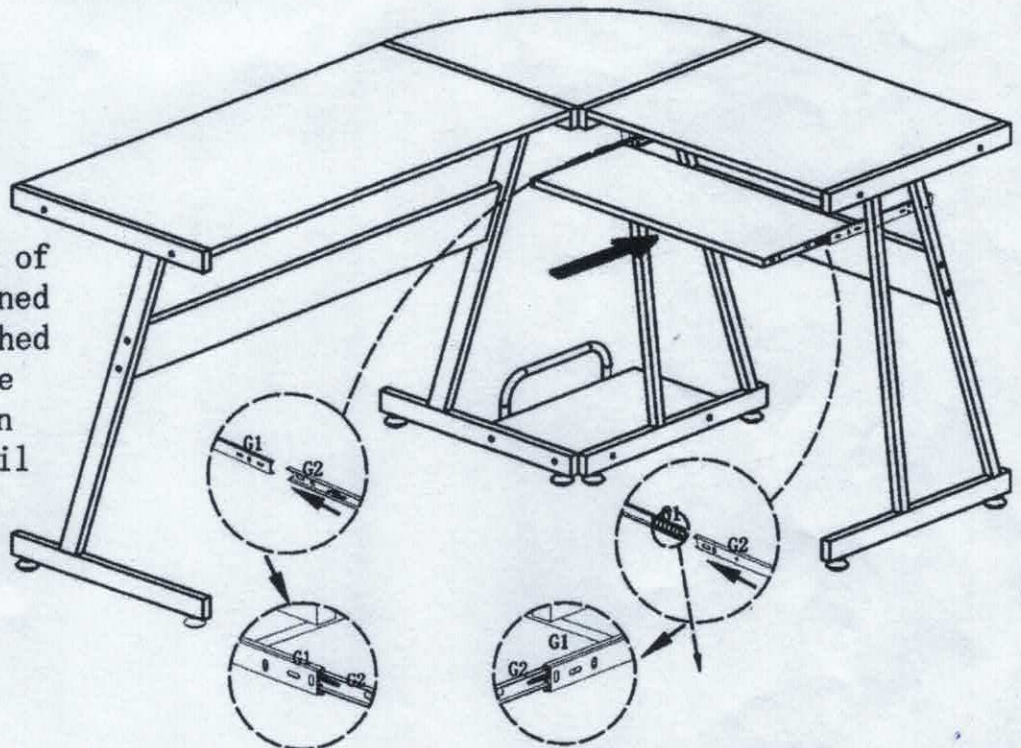
## STEP 9-2

Notes: The notch of G2 must be installed in the same direction so that 10-1 / 10-2 is easier to install.



## STEP 10-2

Notes: The notch of G2 must be aligned with G1 and pushed hard to complete the installation of the guide rail.



Notes: Check again this part is pushed out as the picture shows.