
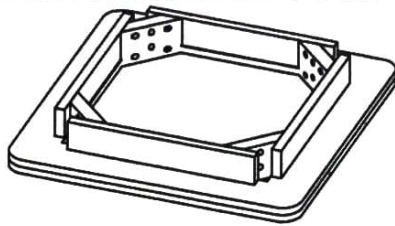






# ASSEMBLY INSTRUCTIONS *LEAMAN ACACIA*

## END TABLE-FCVN81 *SIDE TABLE*

PICTURES	CODE	PARTS	Q.TY
	<b>A</b>		<b>1</b>
	<b>B</b>		<b>4</b>

### HARDWARES

CODE	PICTURES	SIZE	AMOUNT
<b>1</b>		Bolts M8	<b>8</b>
<b>2</b>		Flat washers	<b>8</b>
<b>3</b>		Key M4	<b>1</b>

