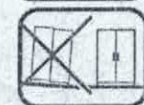
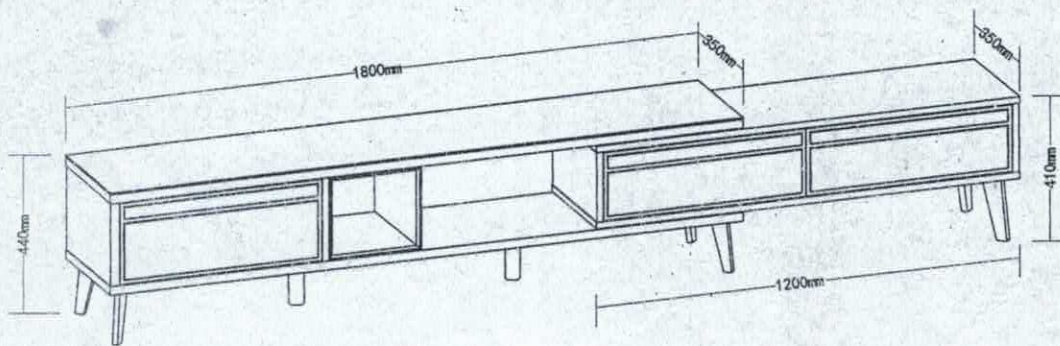


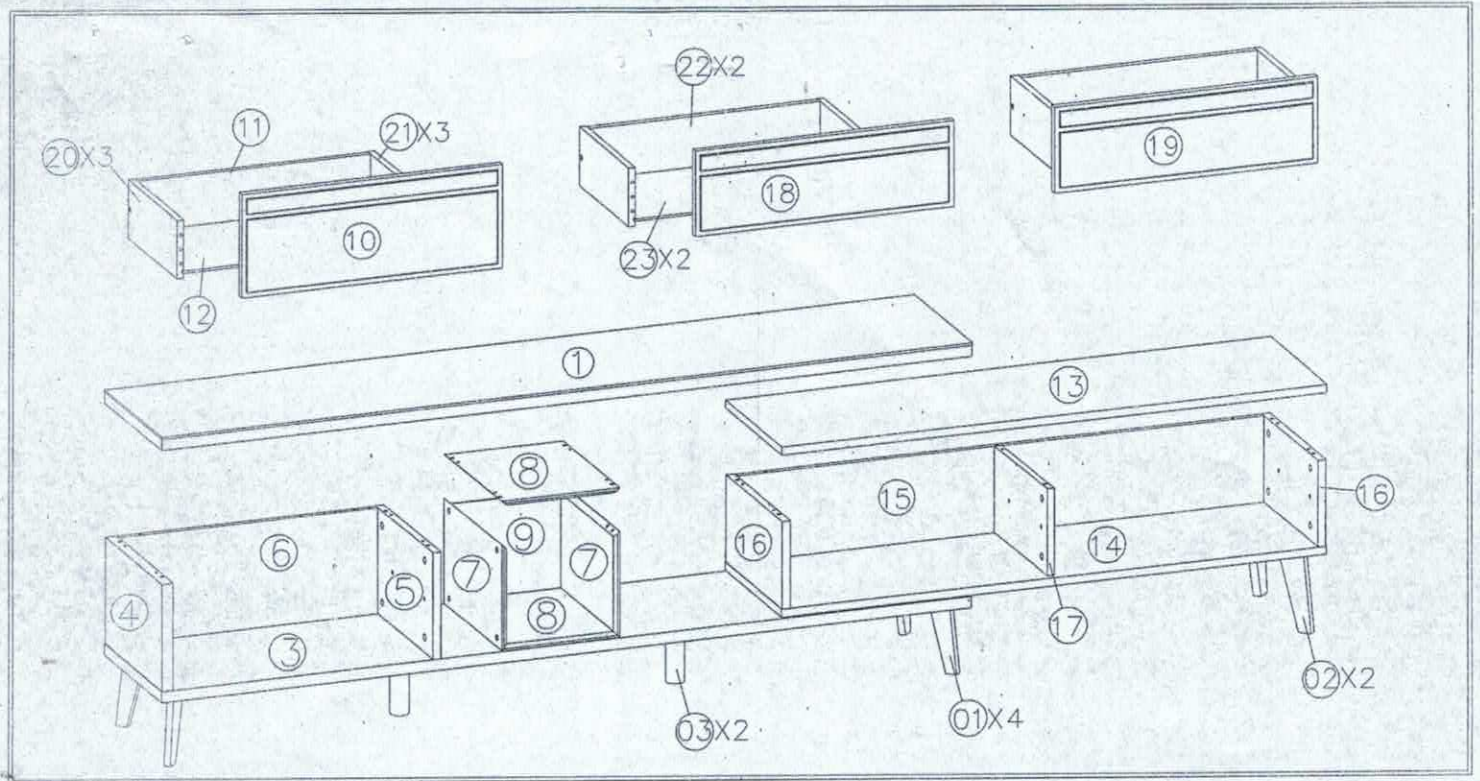
PRODUCT NAME

LANGFORD 208-278 Extension Entertainment Unit



EN















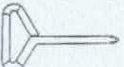
1. Identify the parts which make up your piece of furniture.
  2. Gather the hardware parts and count them.
  3. Have the necessary assembly tools ready.
  4. Organize a space for assembly, wall carpeting or a blanket will protect the furniture against scratches.
  5. Never force the assembling while you put the parts together. You are recommended to tighten the screws after the furniture has been used for some time.
  6. After assembling this product, it is advisable to regularly ventilate the room for a few days.
- KEEP THE ASSEMBLY INSTRUCTION. THE RELEVANT INFORMATION YOU CAN FIND ON IT WILL HELP YOU GET IN TOUCH WITH YOUR STORE IF A PART WAS TO BE MISSING.



No.	Size	Qty	Ctn no.
1	1800*350*31	1	3-1
3	1800*350*25	1	3-1
4	347*236*25	1	3-2
5	347*236*18	1	3-2
6	580*236*12	1	3-2
7	346*234*12	2	3-2
8	346*259*12	2	3-2
9	243*218*5	1	3-2
10	576*230*18	1	3-1
11	523*130*15	1	3-1
12	531*290*5	1	3-2
13	1198*349*18	1	3-2
14	1198*349*18	1	3-2

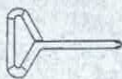
No.	Size	Qty	Ctn no.
15	1159*195*12	1	3-2
16	347*195*18	2	3-2
17	317*195*15	1	3-2
18	577*189*18	1	3-1
19	577*189*18	1	3-1
20	300*130*15	3	3-2
21	300*130*15	3	3-2
22	515*130*15	2	3-1
23	531*290*5	2	3-2
01	H=148	4	3-3
02	H=175	2	3-3
03	φ25*H145	2	3-3

## HARDWARE LIST

101x44  φ6X30mm	102x18  φ15*12mm	103x18  φ7*32.5mm	104x22  φ12*10mm	105x22  φ6*19.5mm	106x14  φ10	107x6  φ5X50mm	108x30  φ4X12mm
109x3  L=300mm	110x8  φ4X40mm	111x2  φ4X25mm	112x32  φ4X14mm	113x3  CC128	114x6  M4X22mm	115x1 	

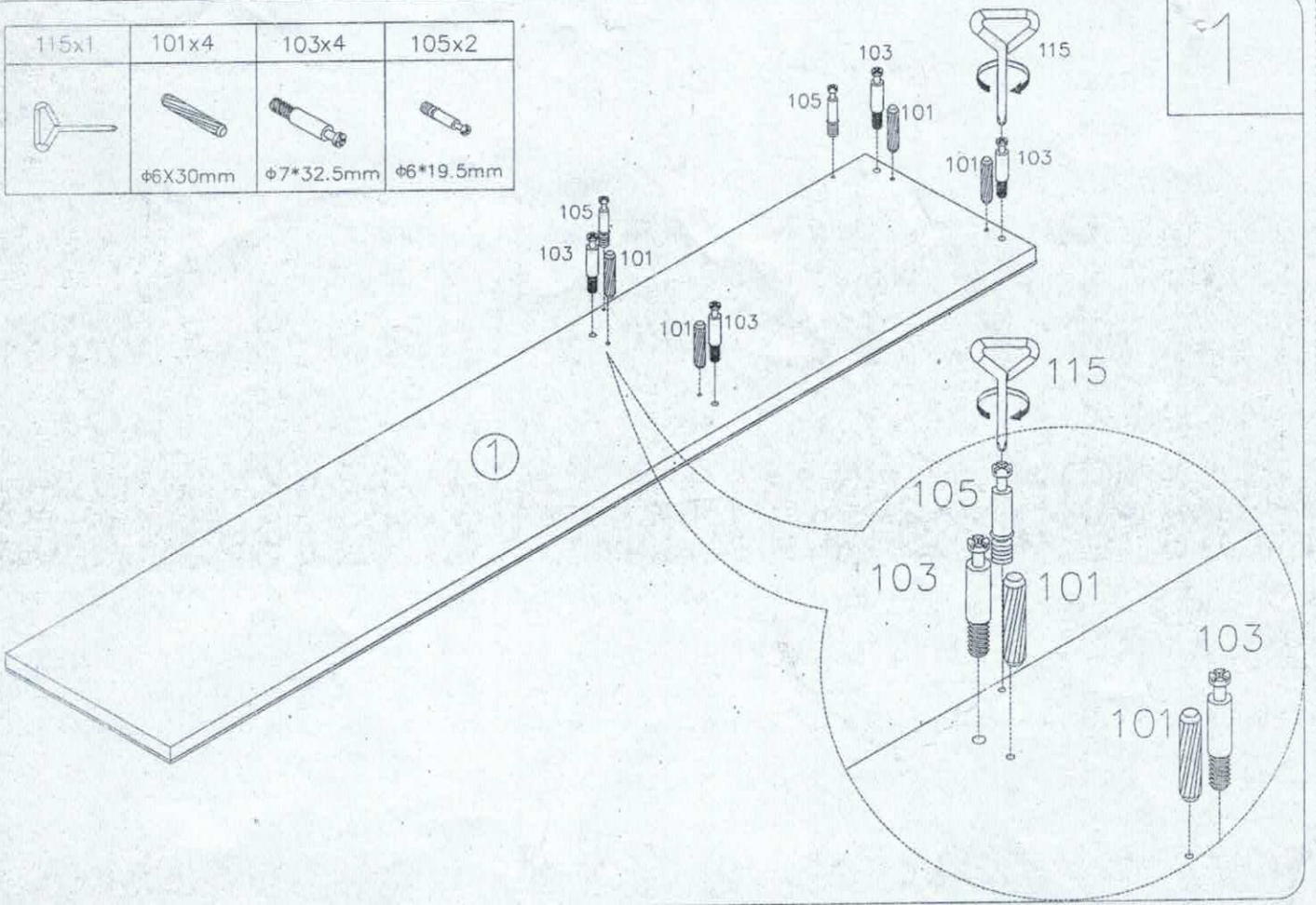


OUTILLAGE:  
TOOLS:

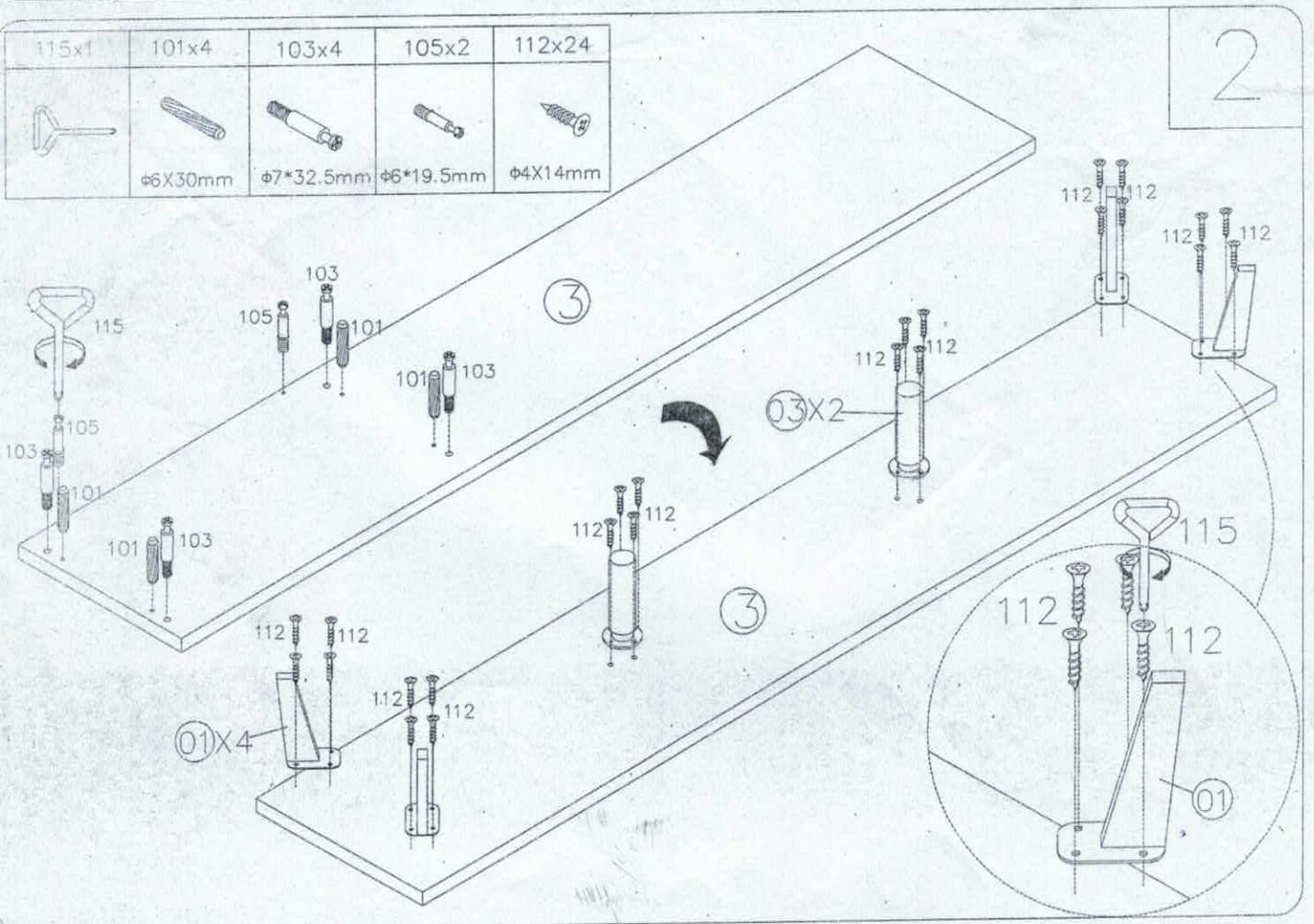


A SOFT CLOTH IS SUITABLE FOR PRODUCT CARE.





115x1	101x4	103x4	105x2
	φ6X30mm	φ7*32.5mm	φ6*19.5mm

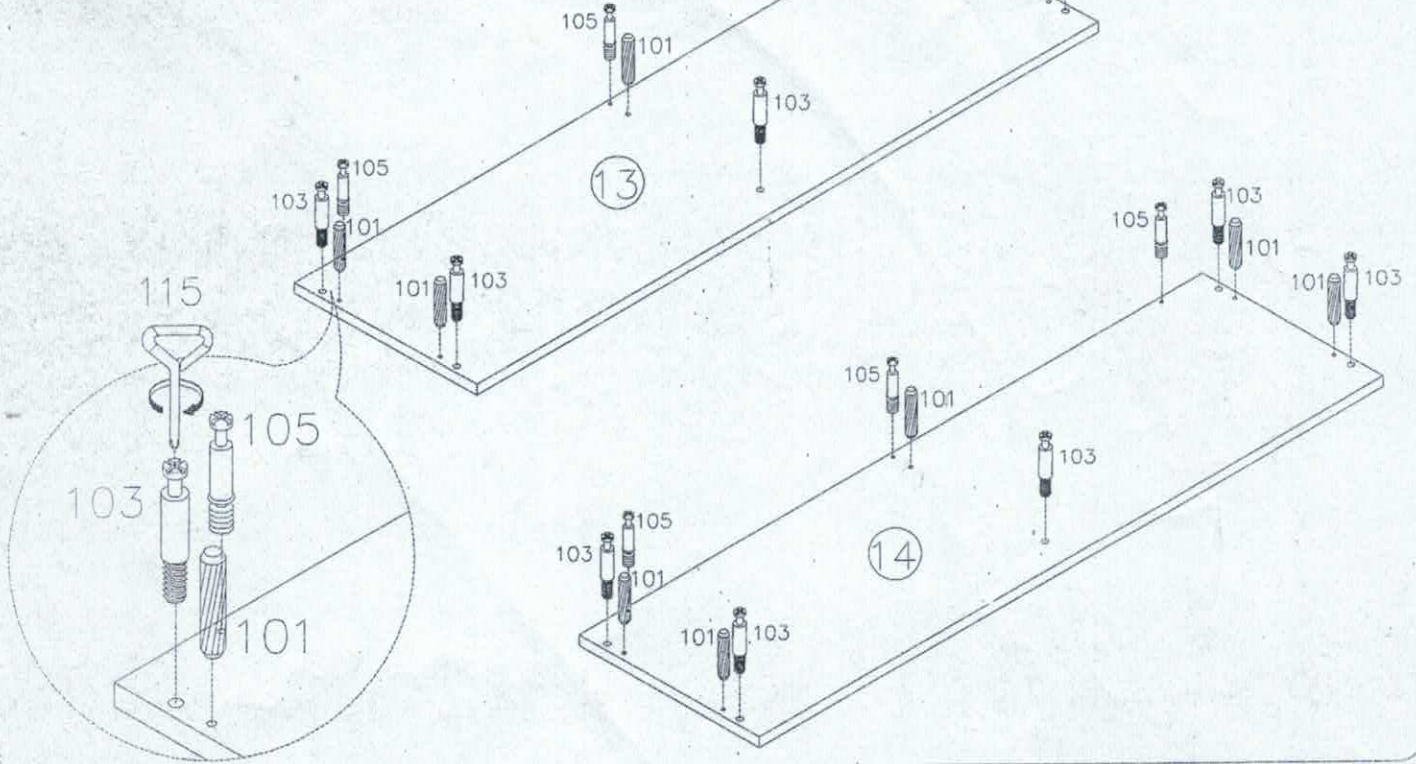


115x1	101x4	103x4	105x2	112x24
	φ6X30mm	φ7*32.5mm	φ6*19.5mm	φ4X14mm






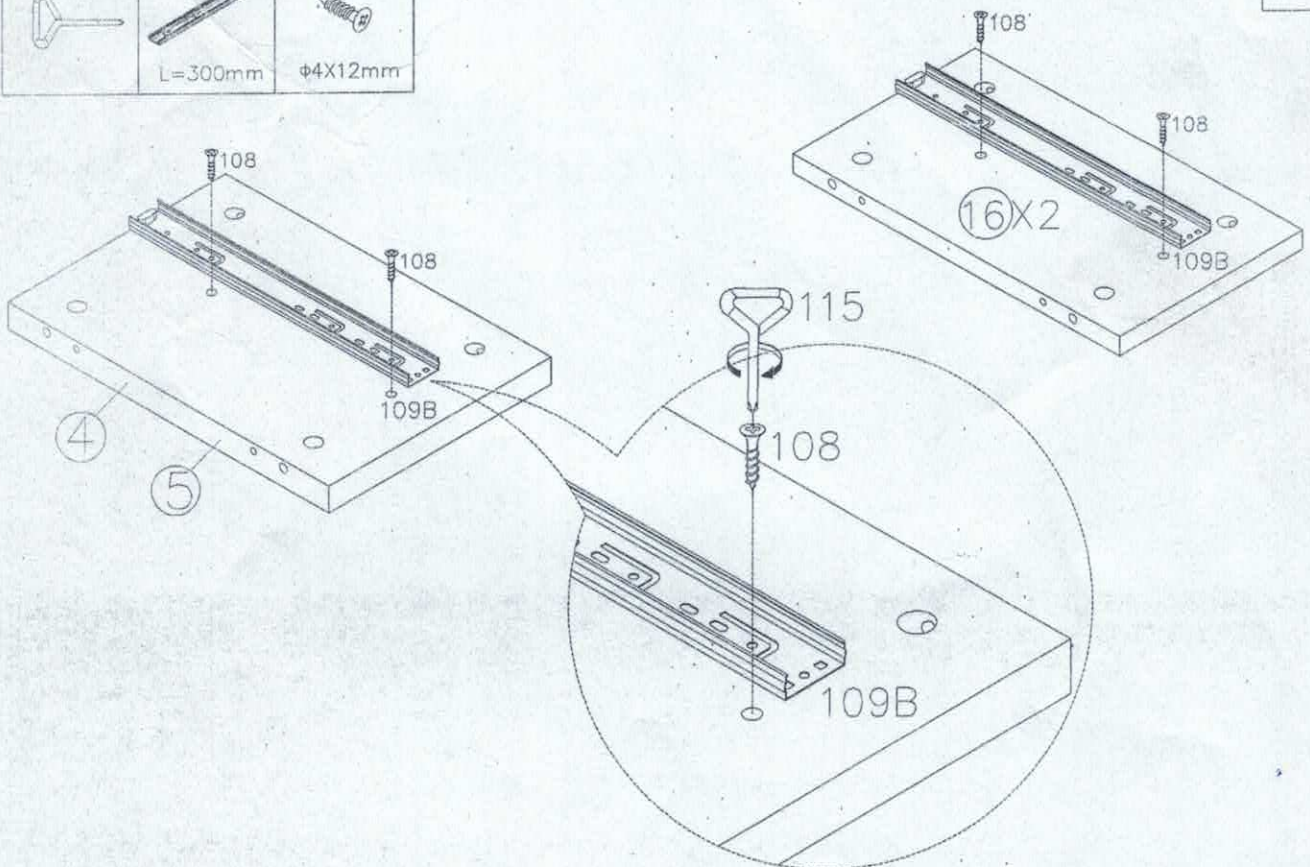
3

115x1	101 x10	103x10	105x6
			
	φ6x30mm	φ7*32.5mm	φ6*19.5mm

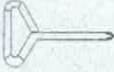




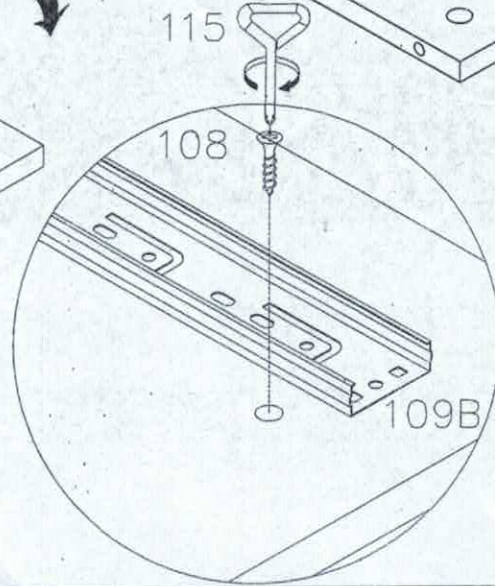
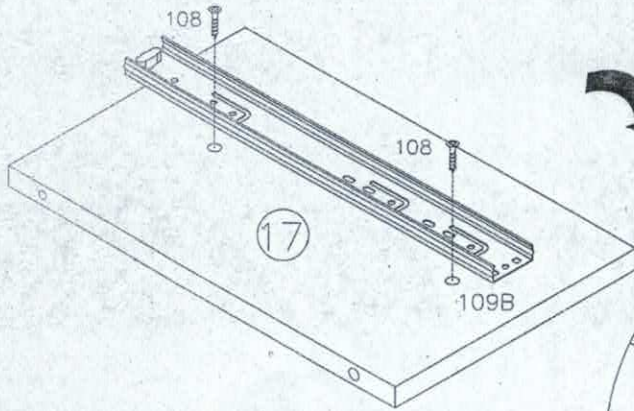
4

115x1	109B x4	108x8
		
	L=300mm	φ4x12mm






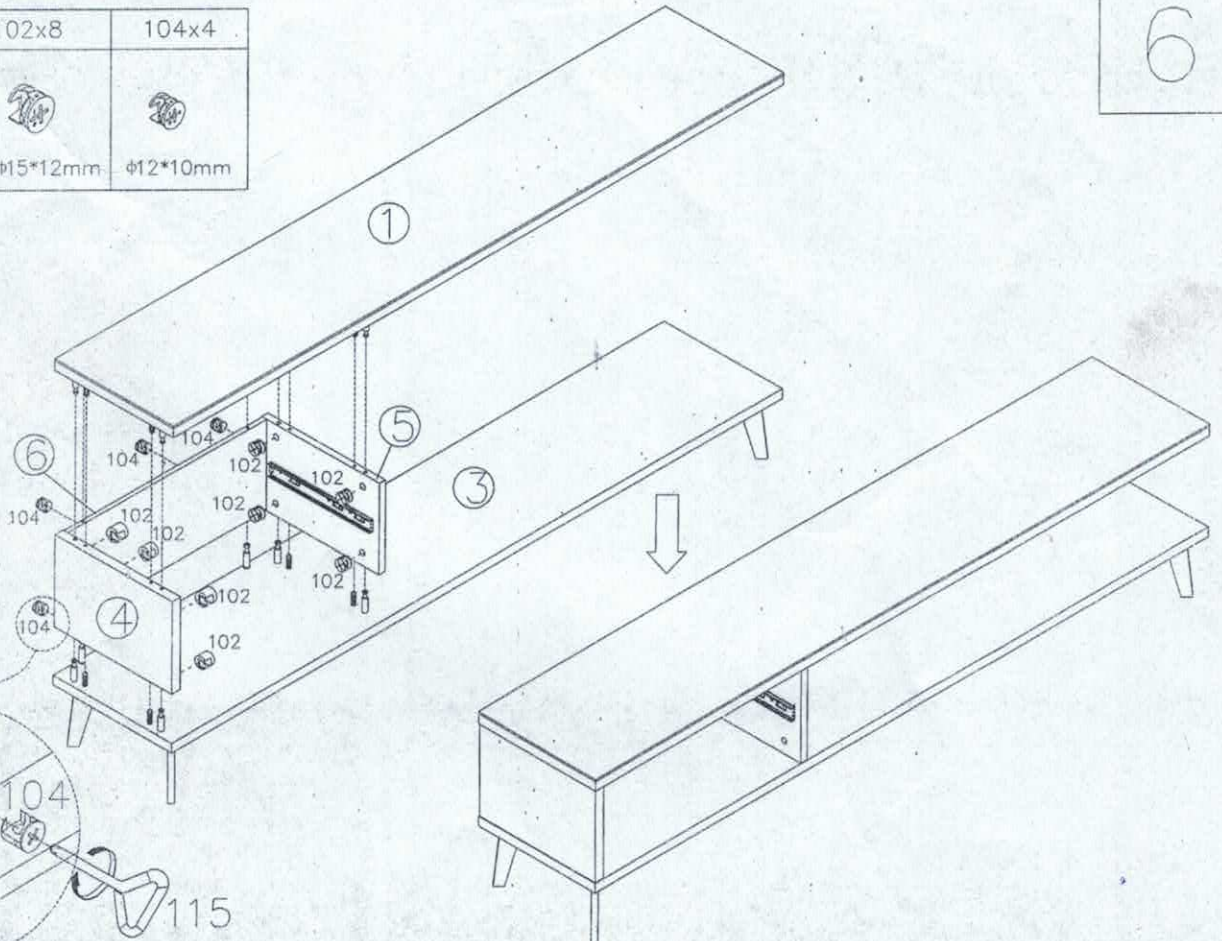
5

115x1	109B x2	108x4
	 L=300mm	 Φ4X12mm

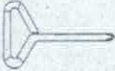




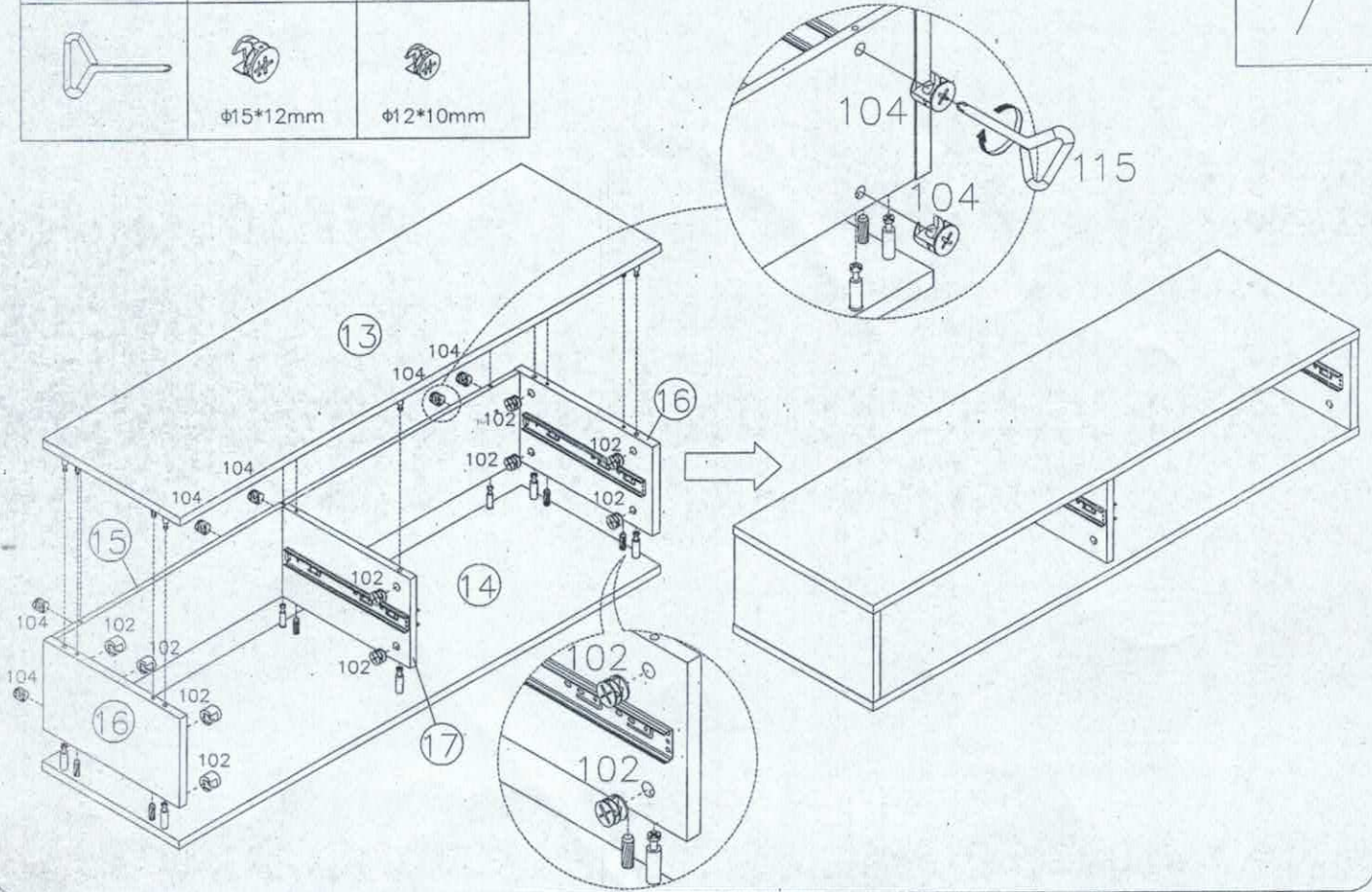
6

115x1	102x8	104x4
	 Φ15*12mm	 Φ12*10mm

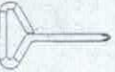



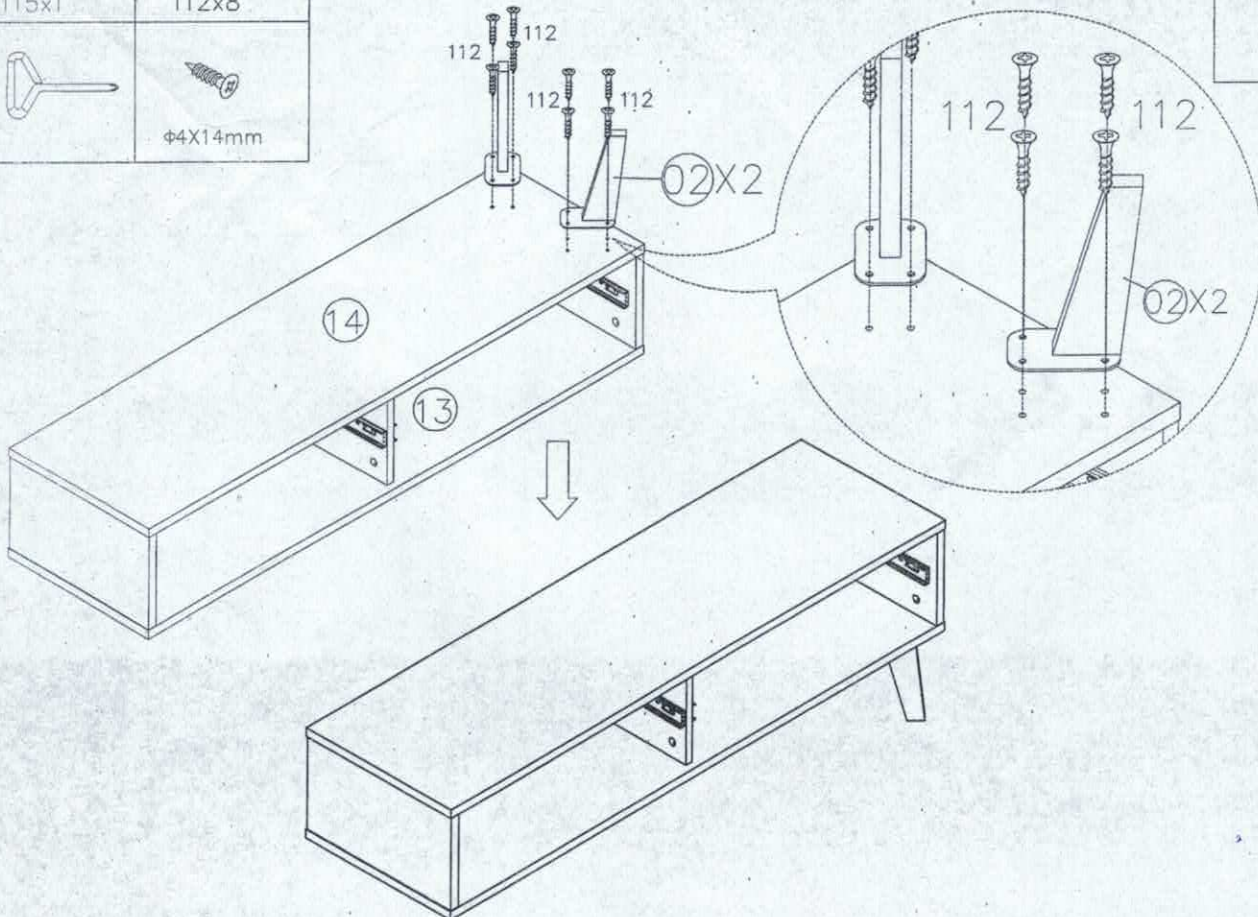
7

115x1	102x10	104x6
		
	φ15*12mm	φ12*10mm







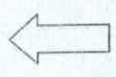
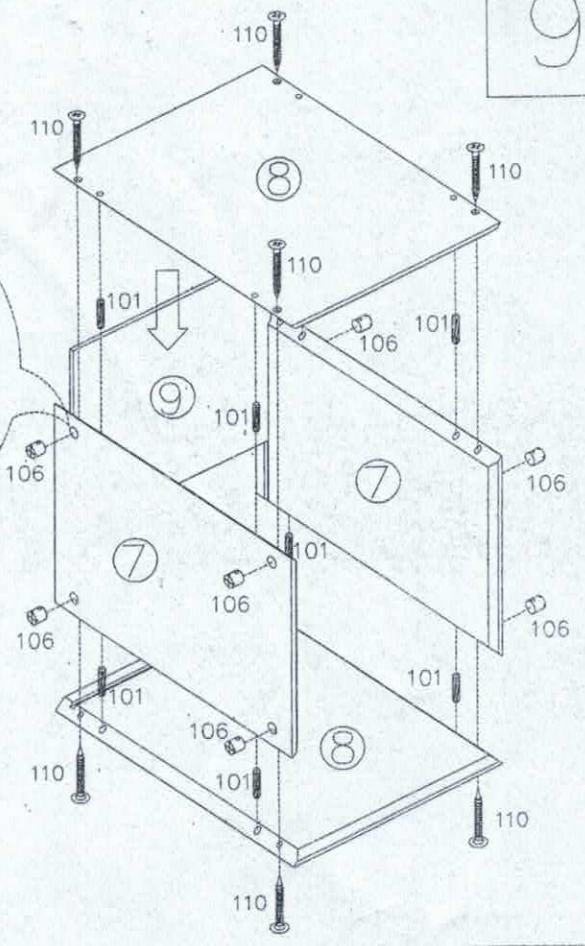
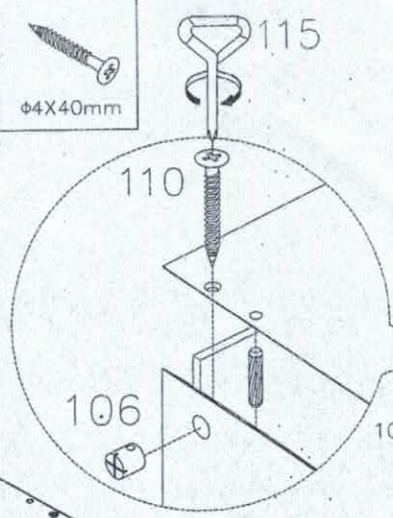
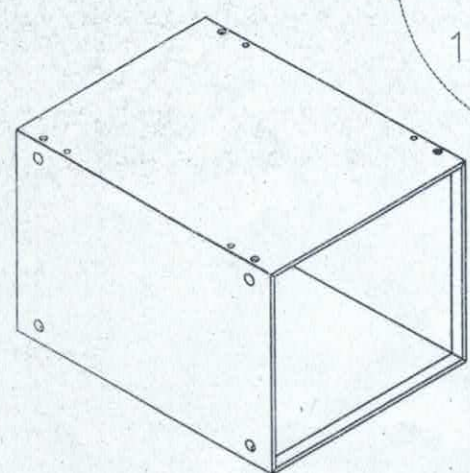
8

115x1	112x8
	
	φ4X14mm

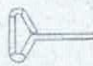




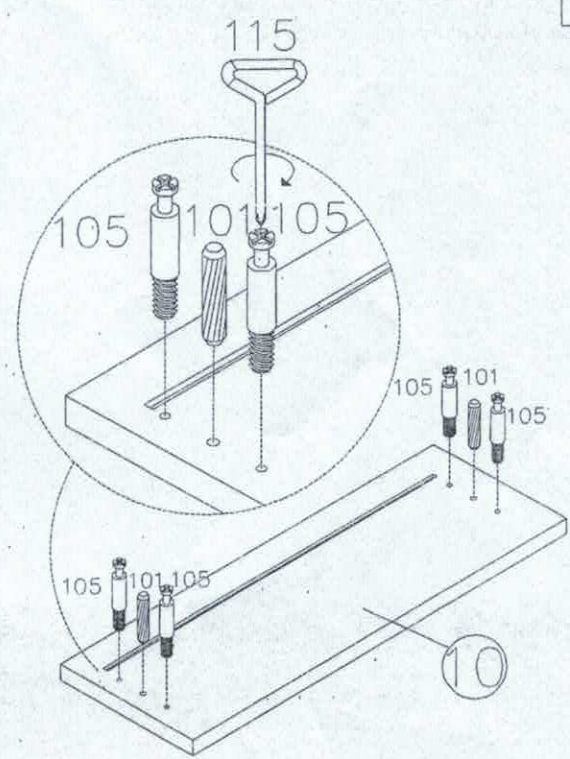
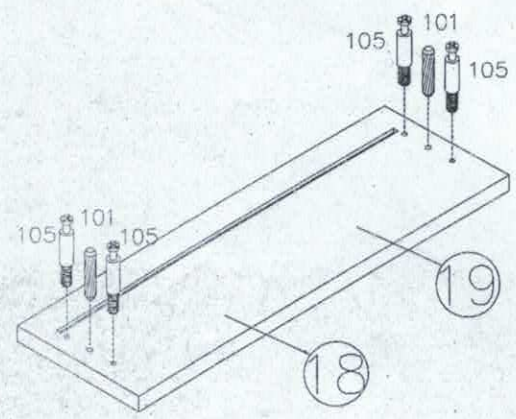
9

115x1	101x8	106x8	110x8
			
	φ6X30mm	φ10	φ4X40mm







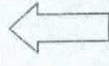
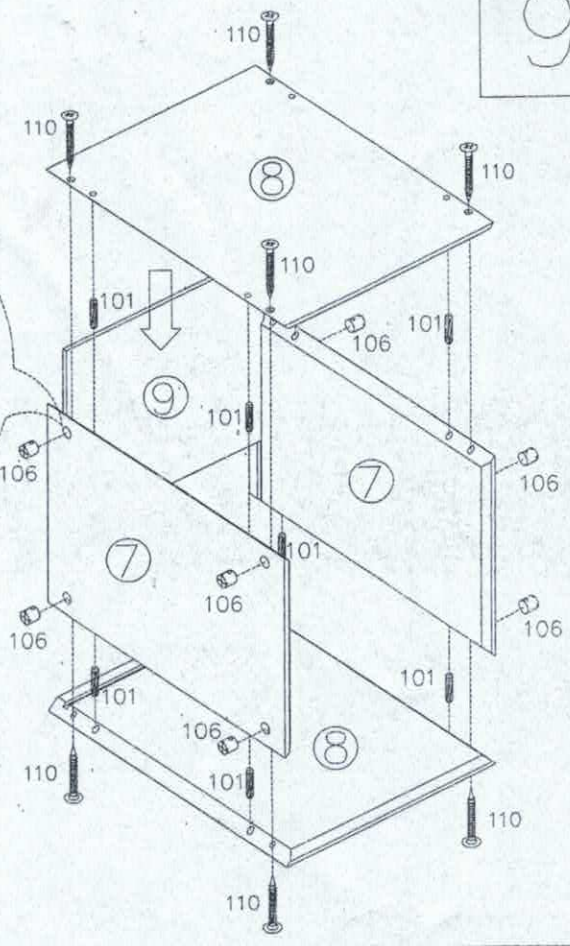
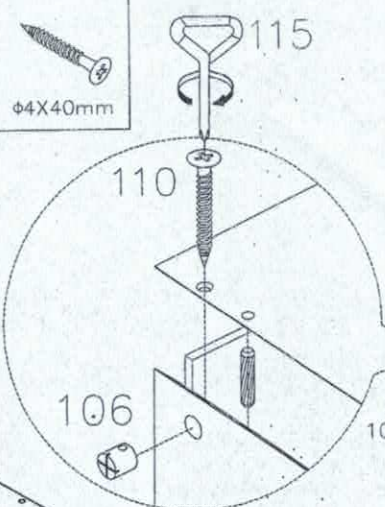
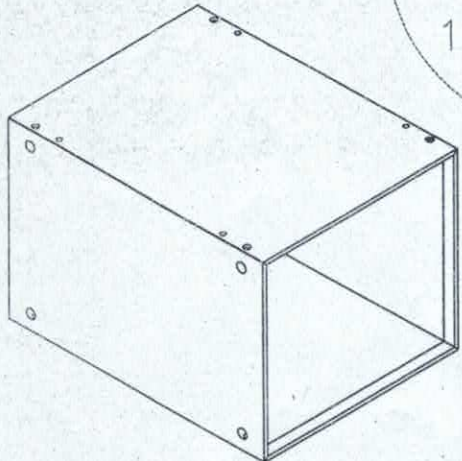
10

115x1	101 x6	105x12
		
	φ6X30mm	φ6*19.5mm

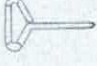




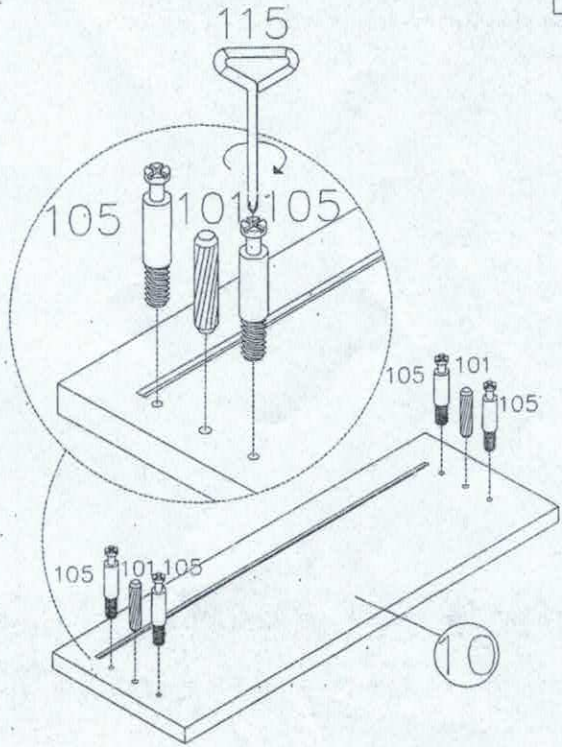
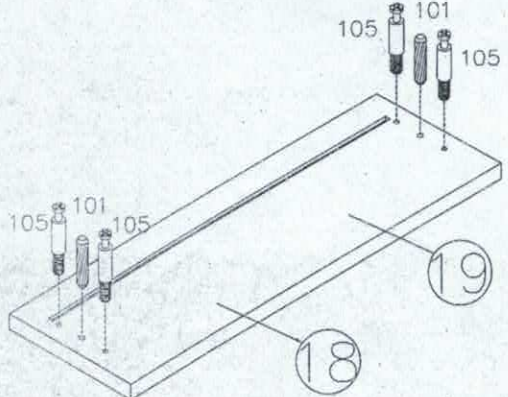
9

115x1	101x8	106x8	110x8
			
	φ6X30mm	φ10	φ4X40mm



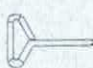



10

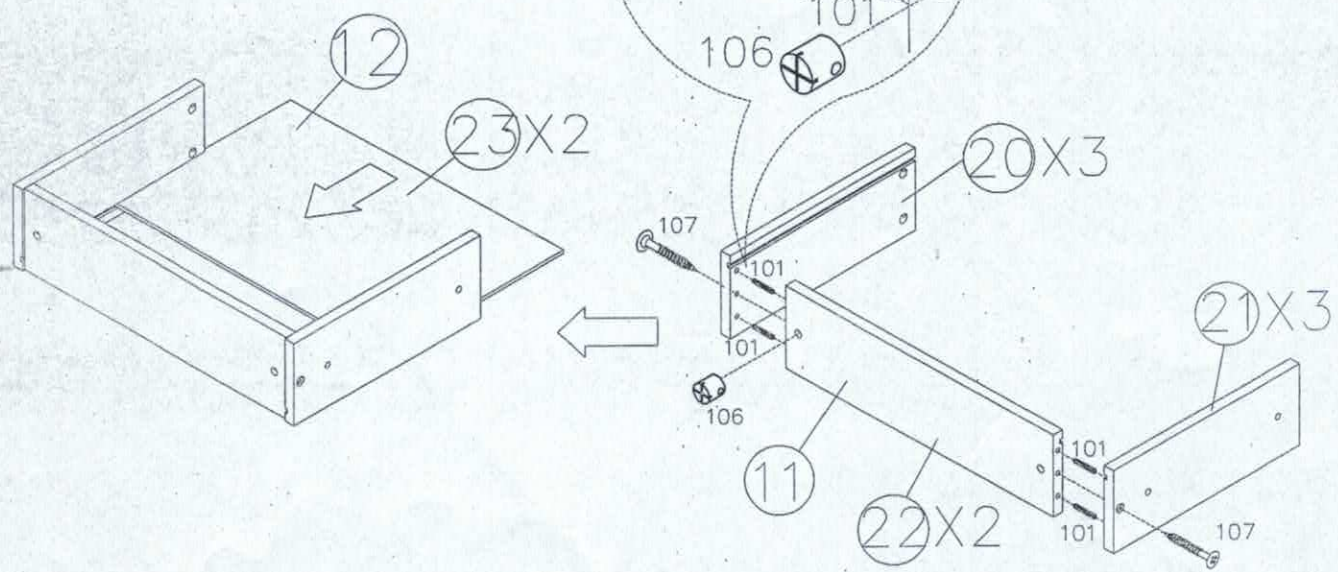
115x1	101x6	105x12
		
	φ6X30mm	φ6*19.5mm



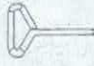





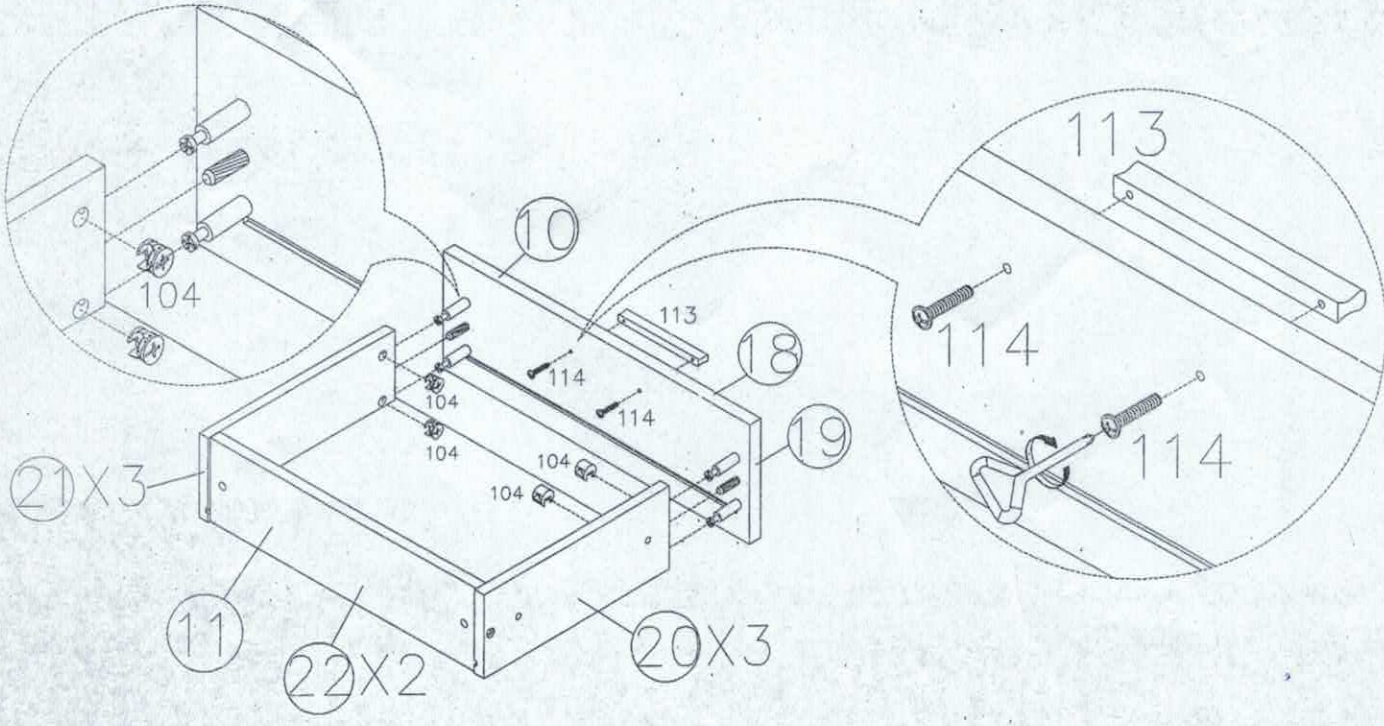
11

115x1	101x12	106x6	107x6
			
	φ6X30mm	φ10	φ5X50mm

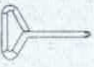




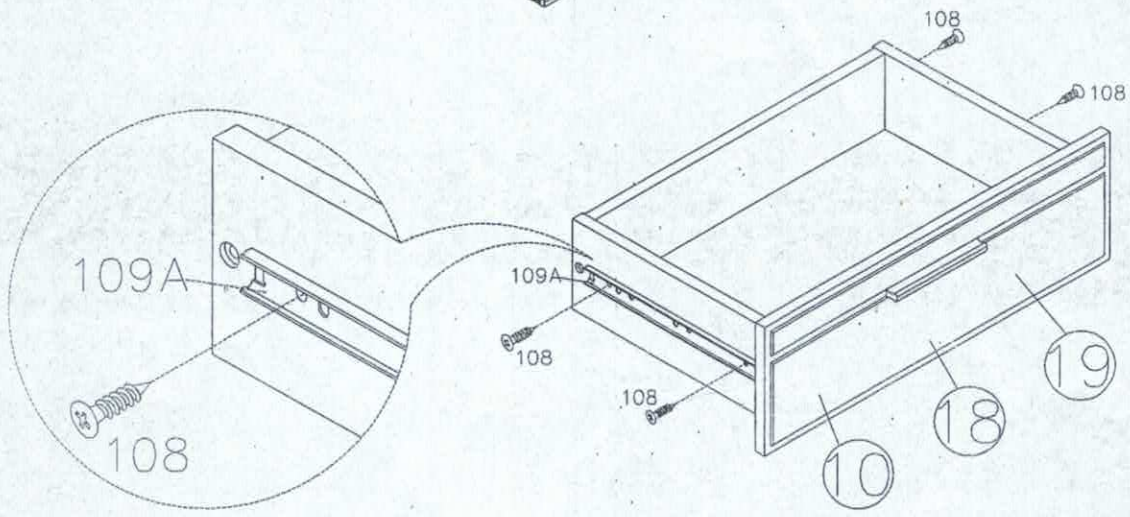
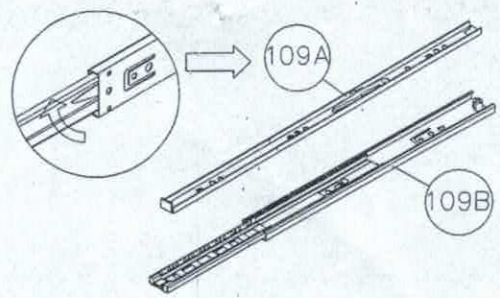
12

115x1	104x12	113x3	114x6
			
	φ12*10mm	CC128	M4X22mm

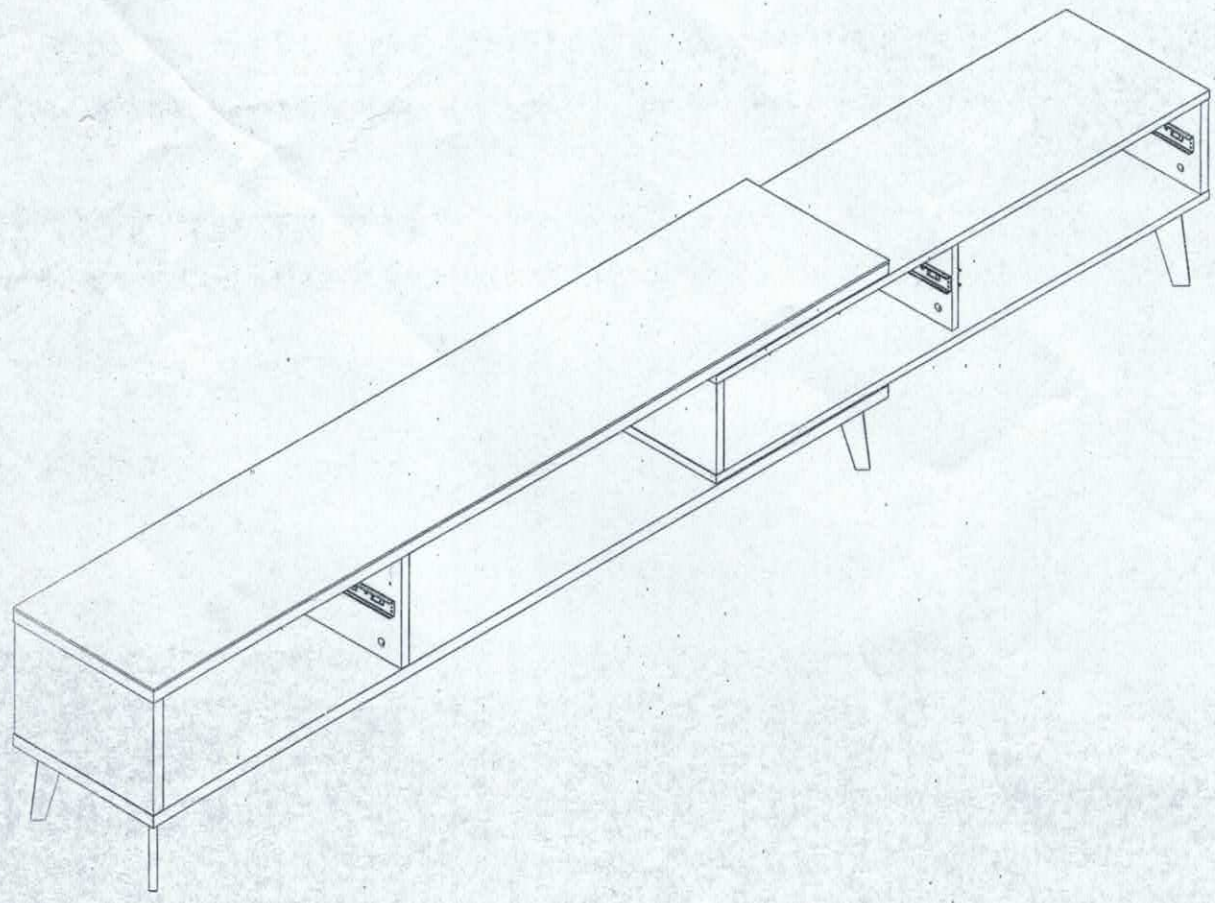


13

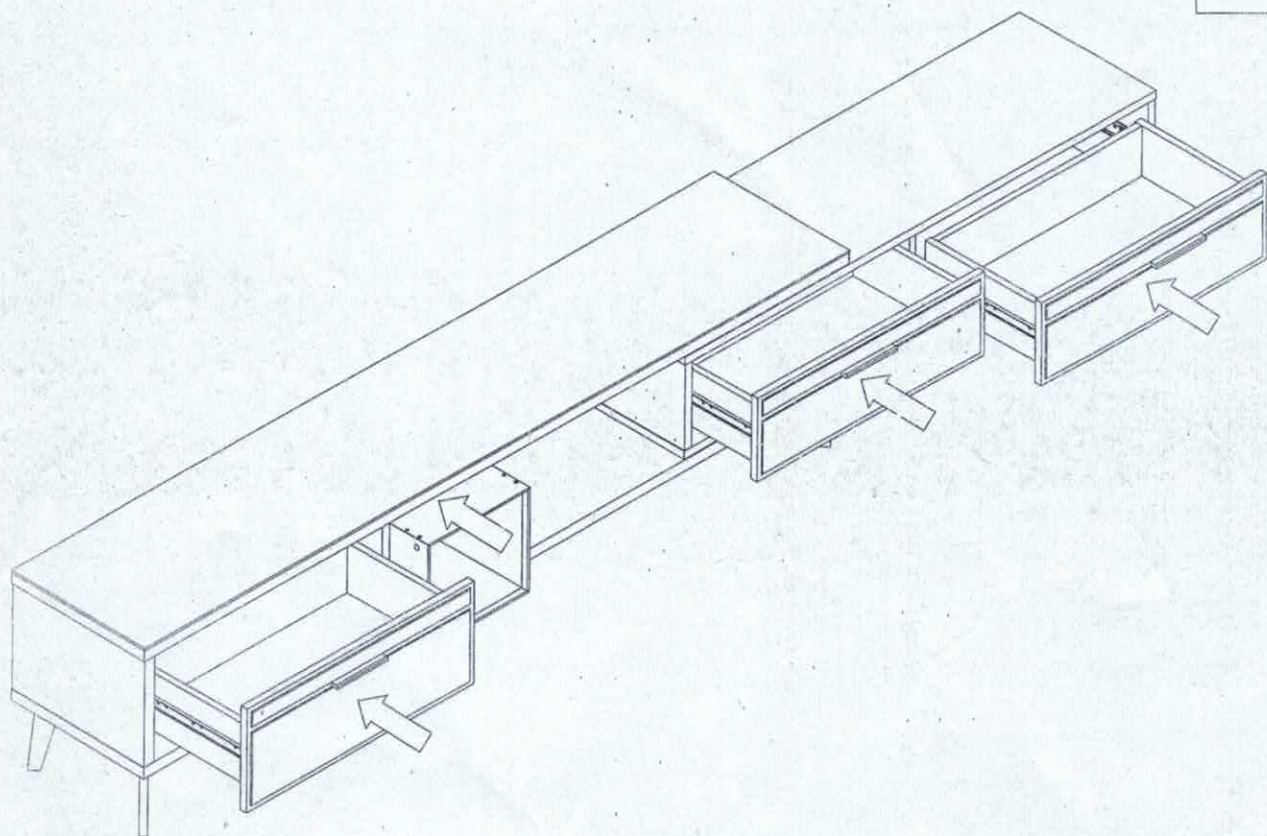
115x1	108x12	109A x6
		
	φ4X12mm	L=300mm



14



15



16

