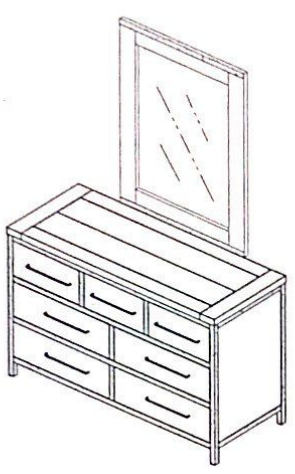

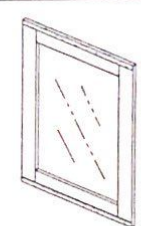
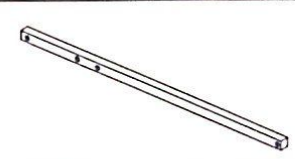





# ASSEMBLY INSTRUCTIONS

## DRESSER-FCVN31

PICTURES	CODE	PARTS	Q.TY
	<b>A</b>		<b>1</b>
	<b>B</b>		<b>1</b>
	<b>C</b>		<b>2</b>

### HARDWARES

CODE	PICTURES	SIZE	AMOUNT
<b>1</b>		Allen key	<b>1</b>
<b>2</b>		Bolts M6	<b>8</b>
<b>3</b>		Plat washer M6	<b>8</b>

