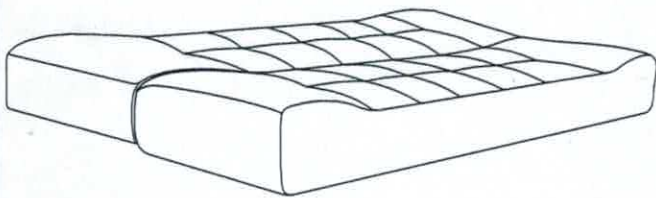


# ASSEMBLY INSTRUCTION

A



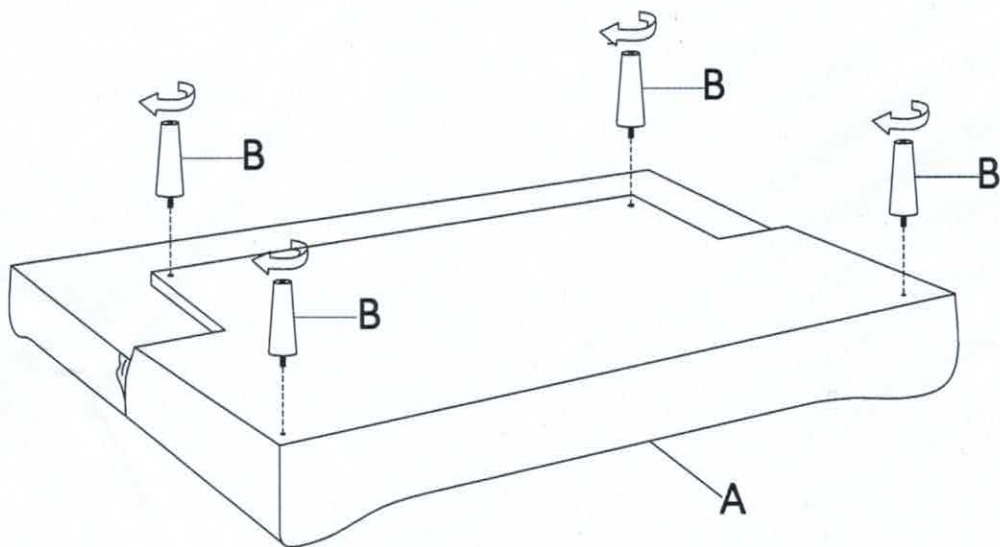
X1

B



X4

Step 1:



Step 2:

