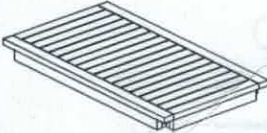







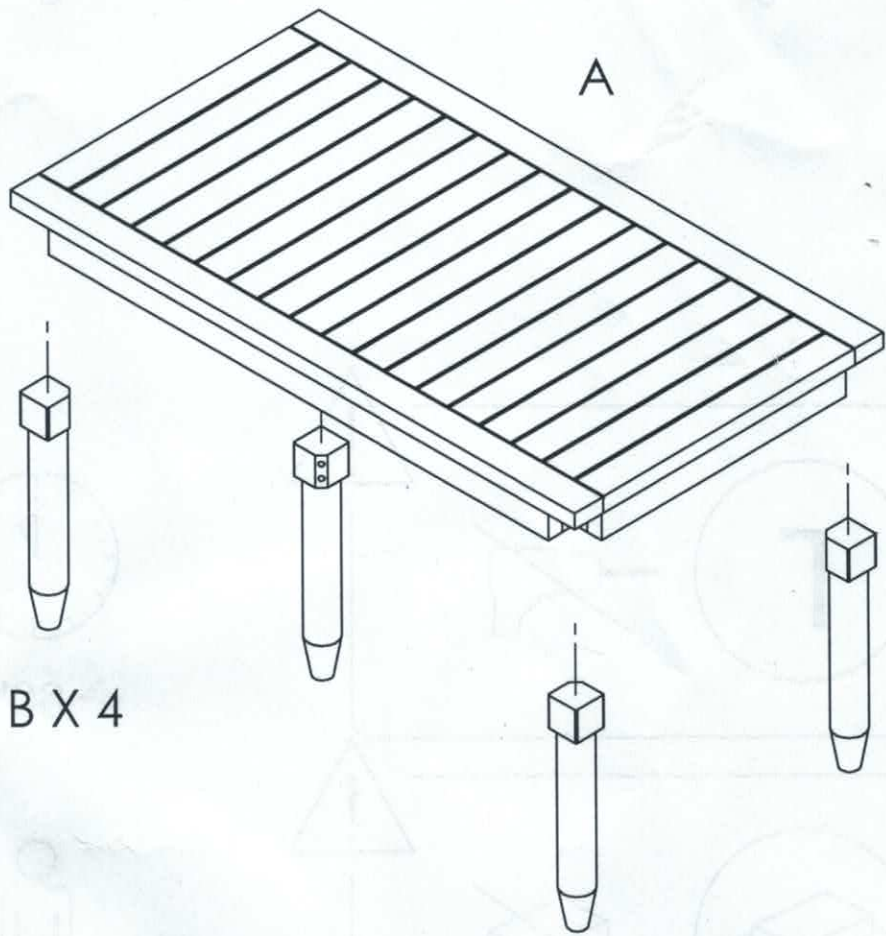
60'



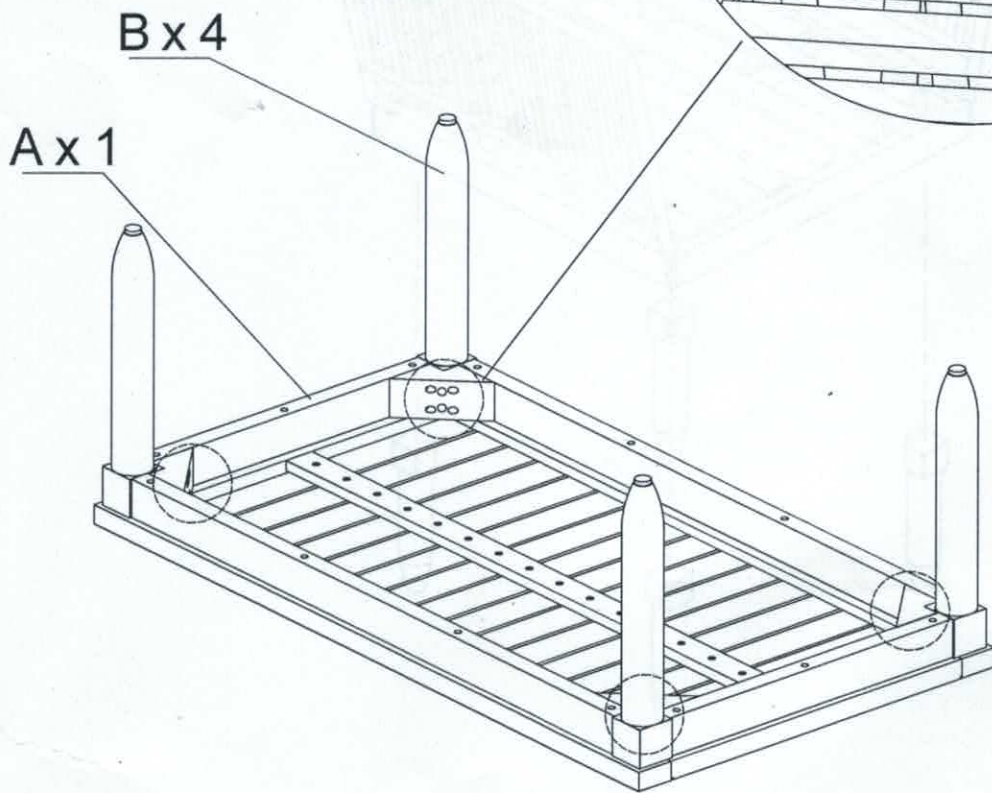
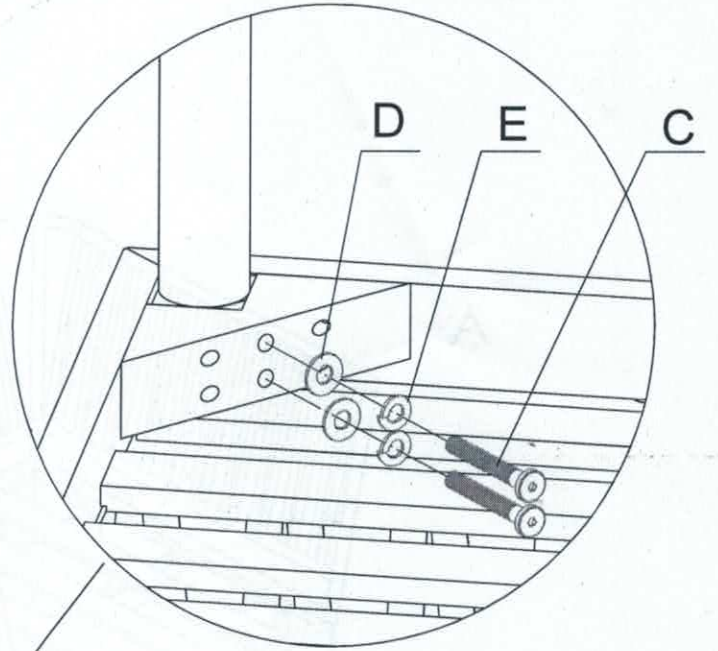
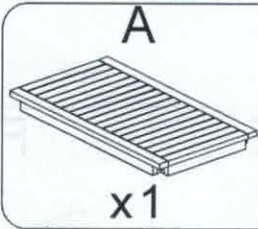
2

A







<p>A</p>  <p>x1</p>	<p>B</p>  <p>x4</p>	<p>C</p>  <p>M8x60</p> <p>x8</p>	<p>D</p>  <p>x8</p>	<p>E</p>  <p>x8</p>	<p>F</p>  <p>x1</p>
--	---	--	---	---	---

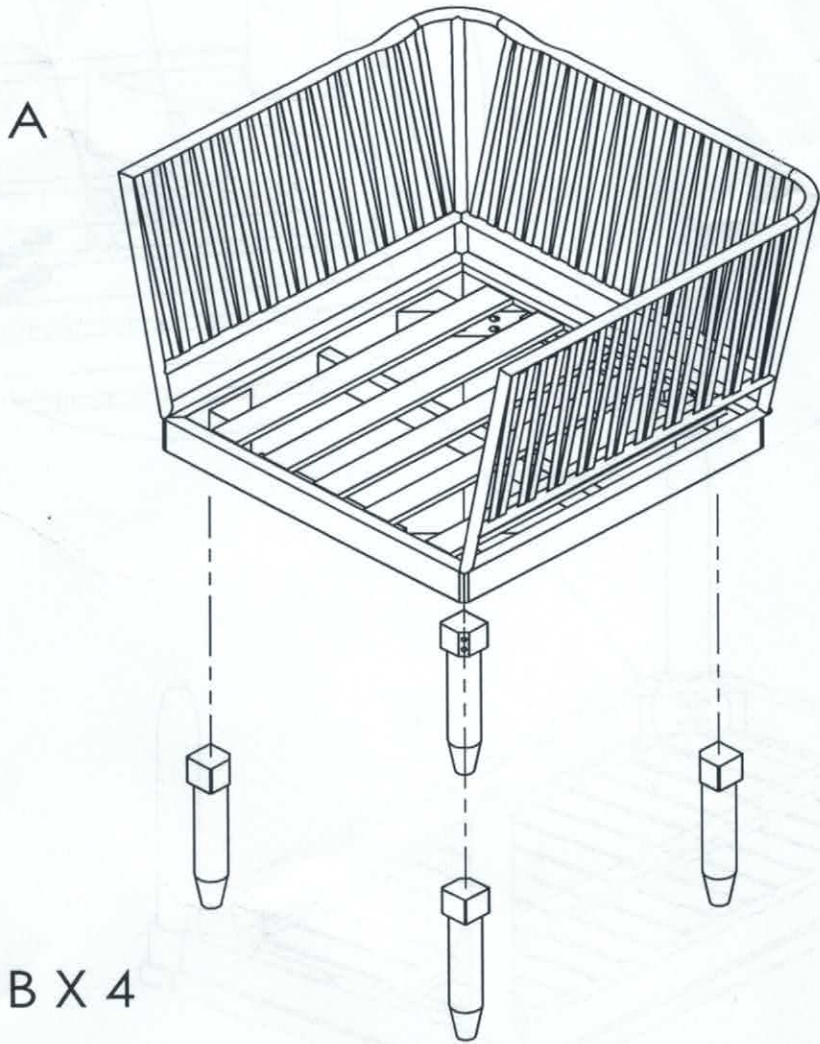


1









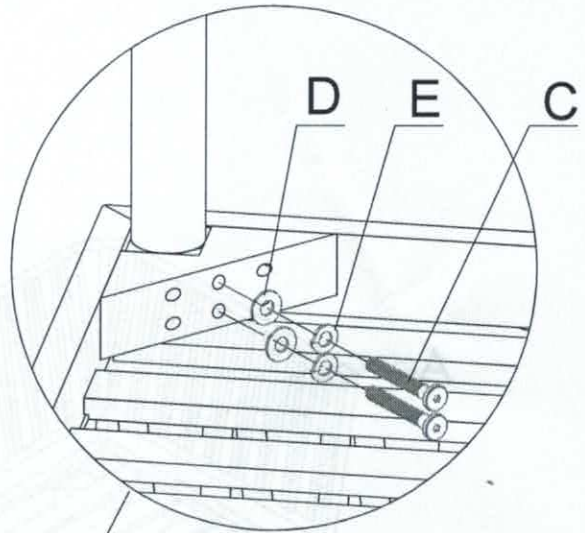
B

<p>A</p>  <p>x1</p>	<p>B</p>  <p>x4</p>	<p>C</p>  <p>M8x60</p> <p>x8</p>	<p>D</p>  <p>x8</p>	<p>E</p>  <p>x8</p>	<p>F</p>  <p>x1</p>
---	---	--	--	---	---



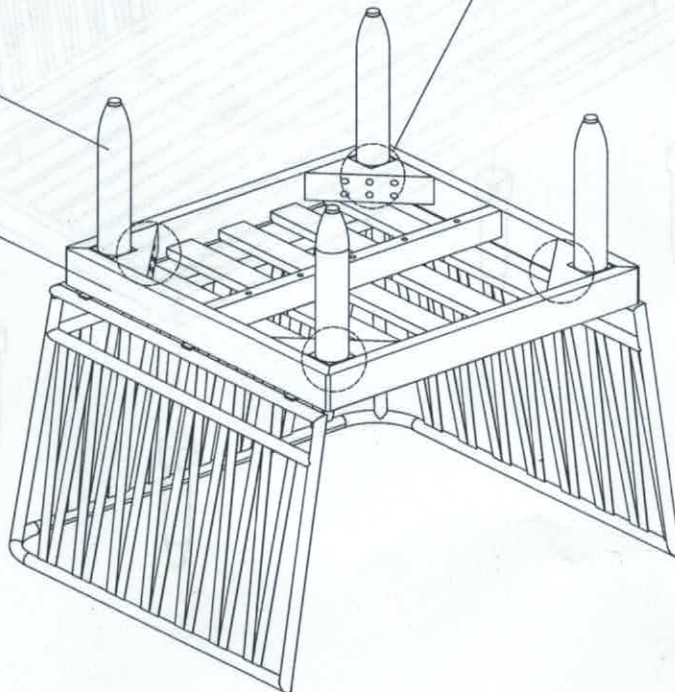
1

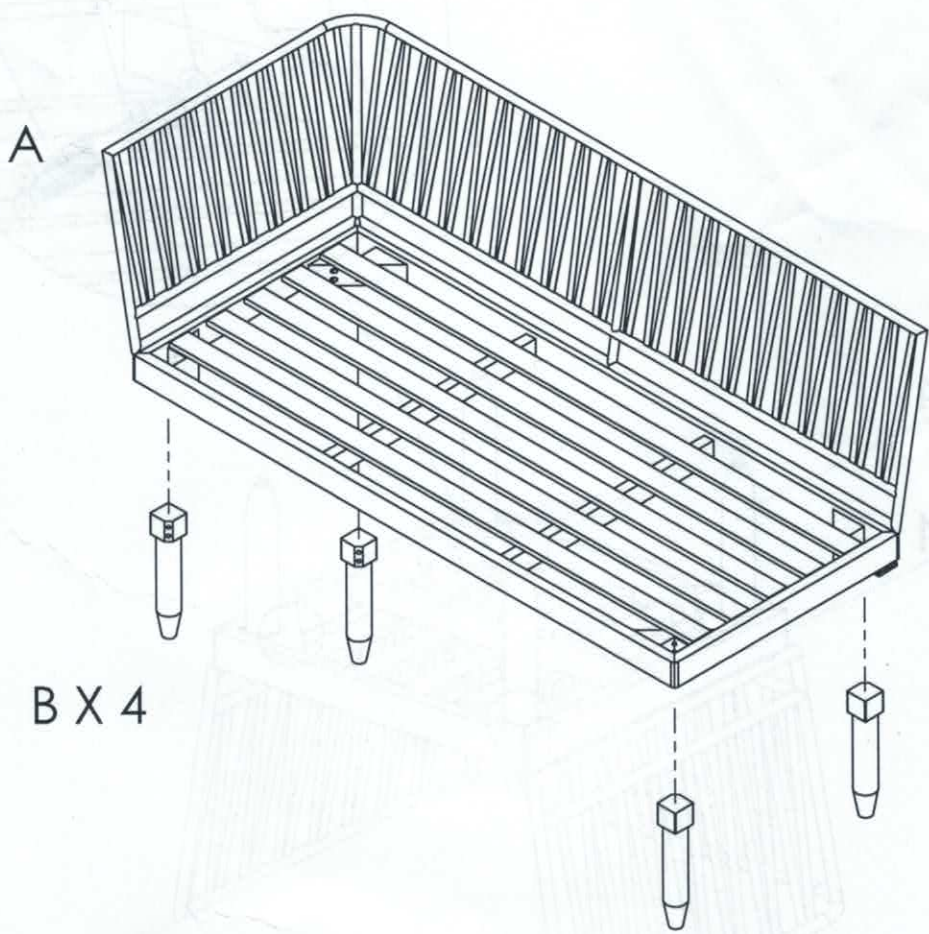
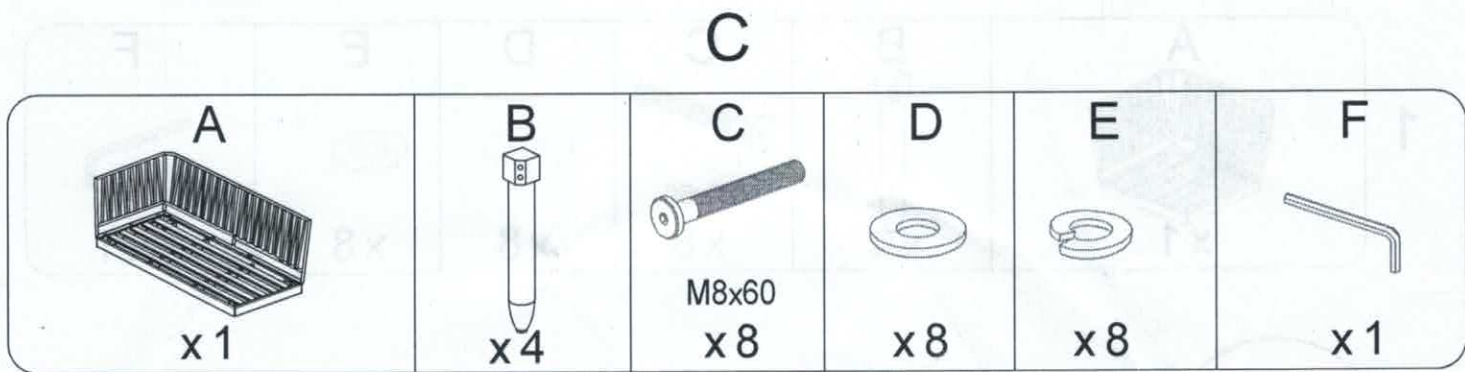
<p>A</p>  <p>x1</p>	<p>B</p>  <p>x4</p>	<p>C</p>  <p>M8x60 x8</p>	<p>D</p>  <p>x8</p>	<p>E</p>  <p>x8</p>	<p>F</p>  <p>x1</p>
---	---	---	--	---	---



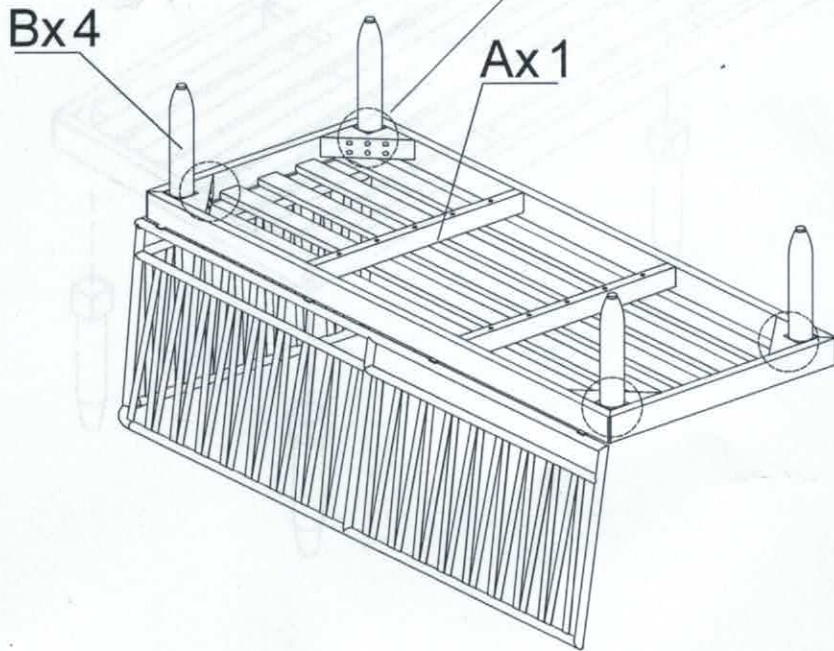
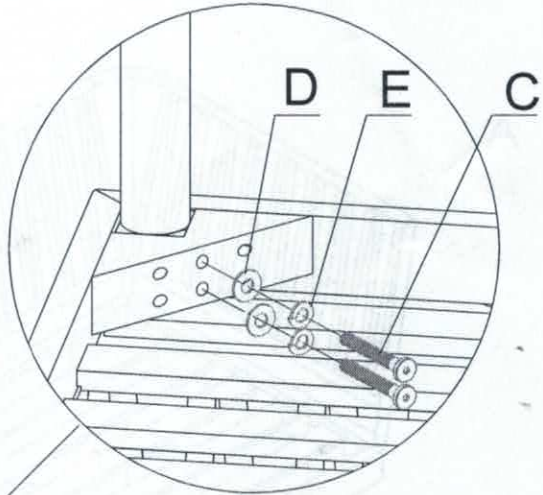
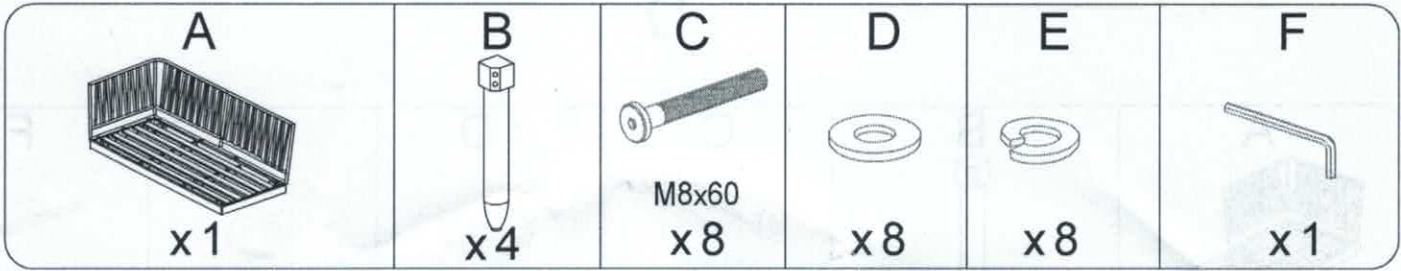
Bx4

Ax1









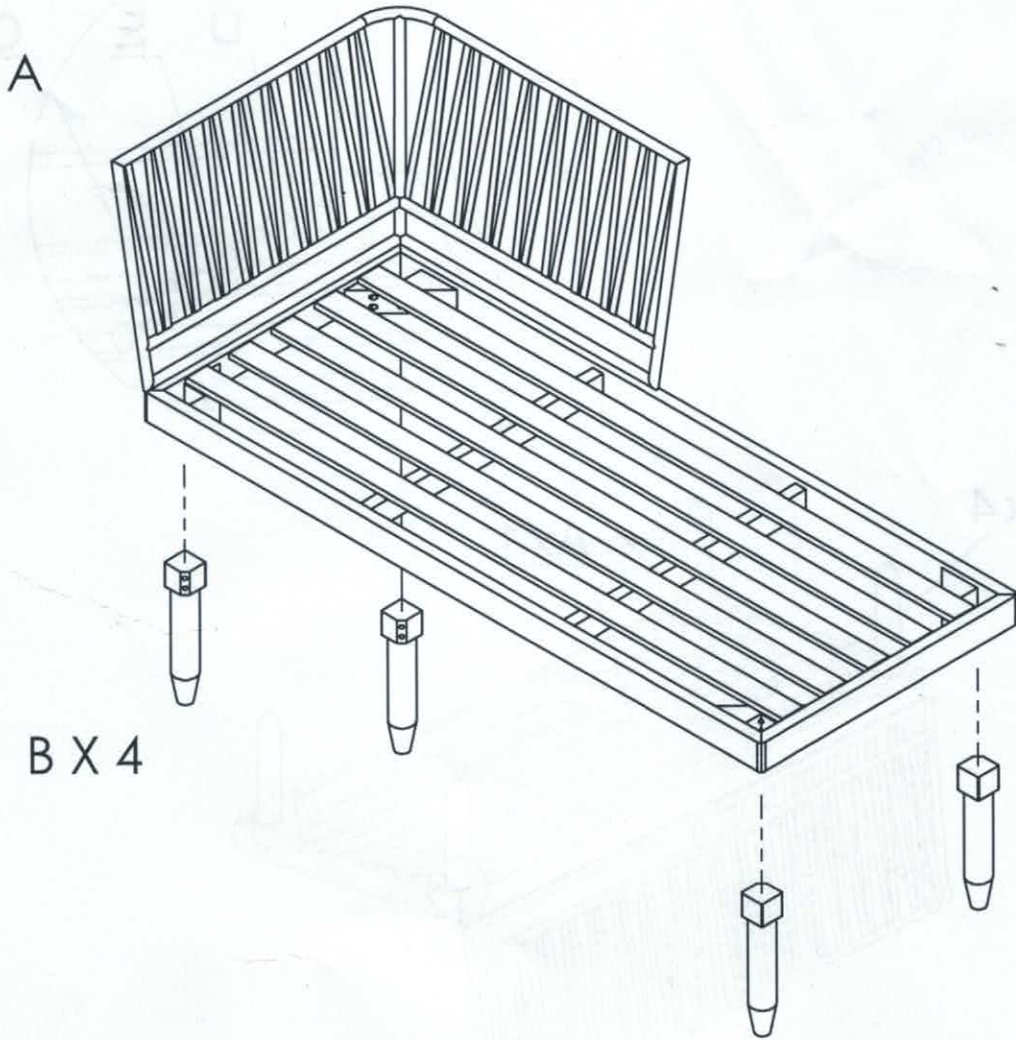


1









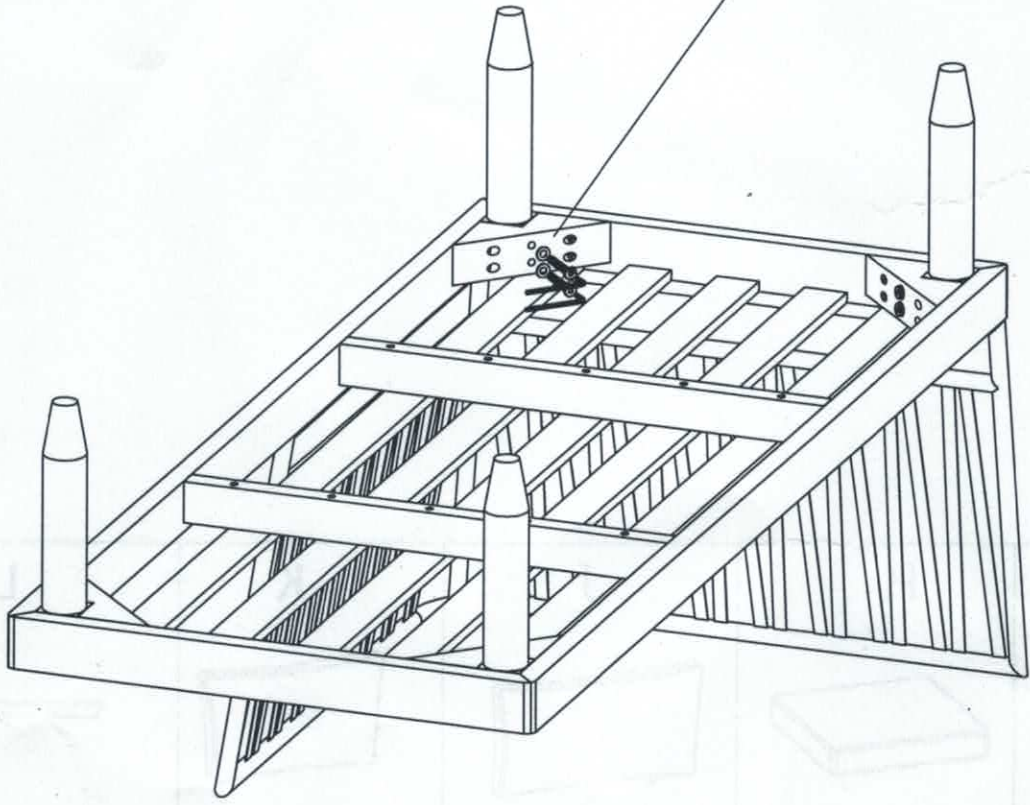
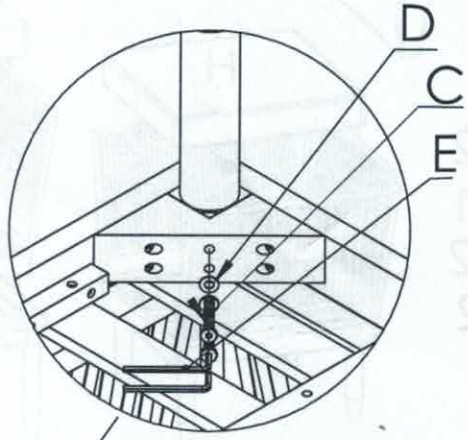
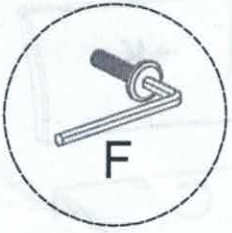
D

<p>A</p>  <p>x1</p>	<p>B</p>  <p>x4</p>	<p>C</p>  <p>M8x60</p> <p>x8</p>	<p>D</p>  <p>x8</p>	<p>E</p>  <p>x8</p>	<p>F</p>  <p>x1</p>
---	--	---	--	--	--

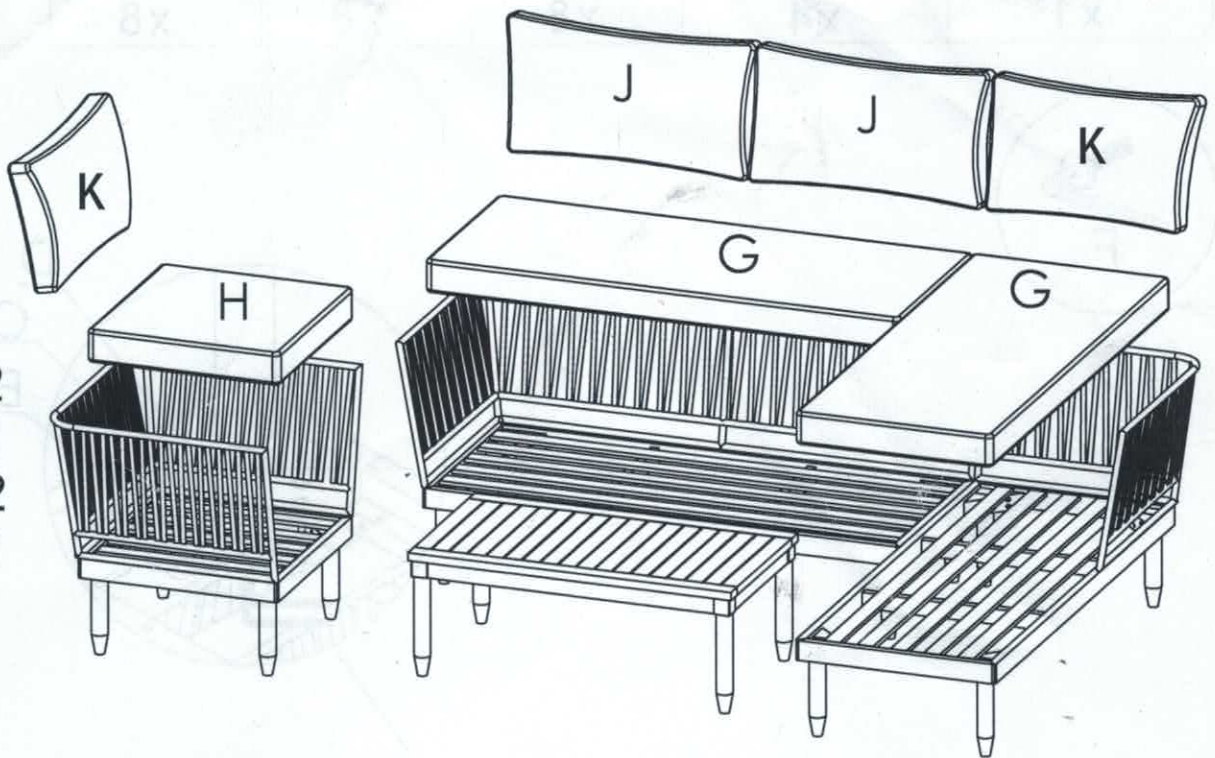




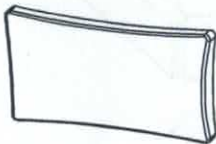
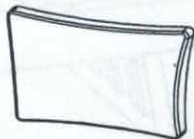

1

<p>A</p>  <p>x1</p>	<p>B</p>  <p>x4</p>	<p>C</p>  <p>M8x60</p> <p>x8</p>	<p>D</p>  <p>x8</p>	<p>E</p>  <p>x8</p>	<p>F</p>  <p>x1</p>
---	---	--	--	---	---

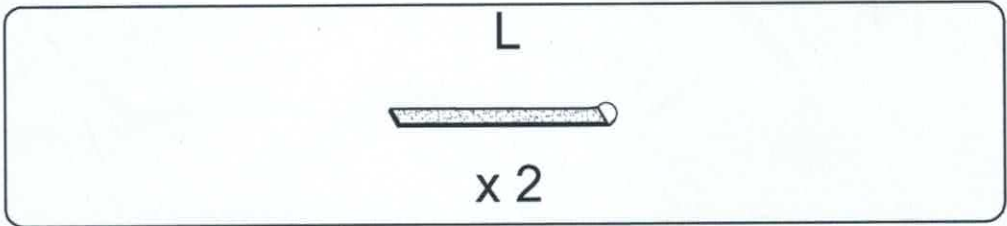


G x 2
H x 1
J x 2
K x 2



G	H	J	K	L
				
X 2	X 1	X 2	X 2	X 2

1



2

