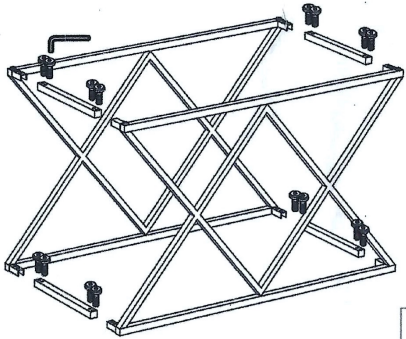


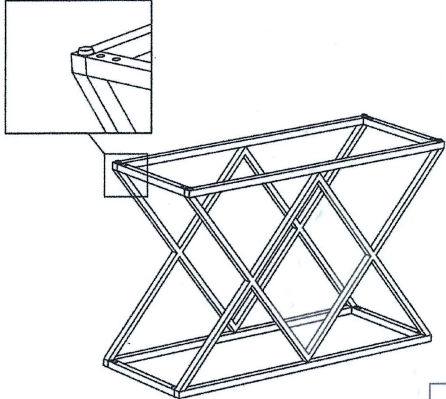
# Assembly drawing

1



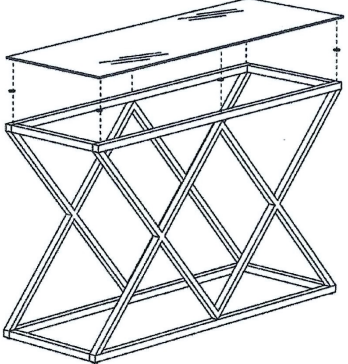
-  X16
-  X1

2



-  X4

3



-  X6

4

