

ASSEMBLY INSTRUCTIONS

DESCRIPTION : GLOBAL QUEEN HEADBOARD & FOOTBOARD /
GLOBAL QUEEN SIDERAILS(2), 13 SLATS, 3 SUPPORT, 1 CENTER RAIL

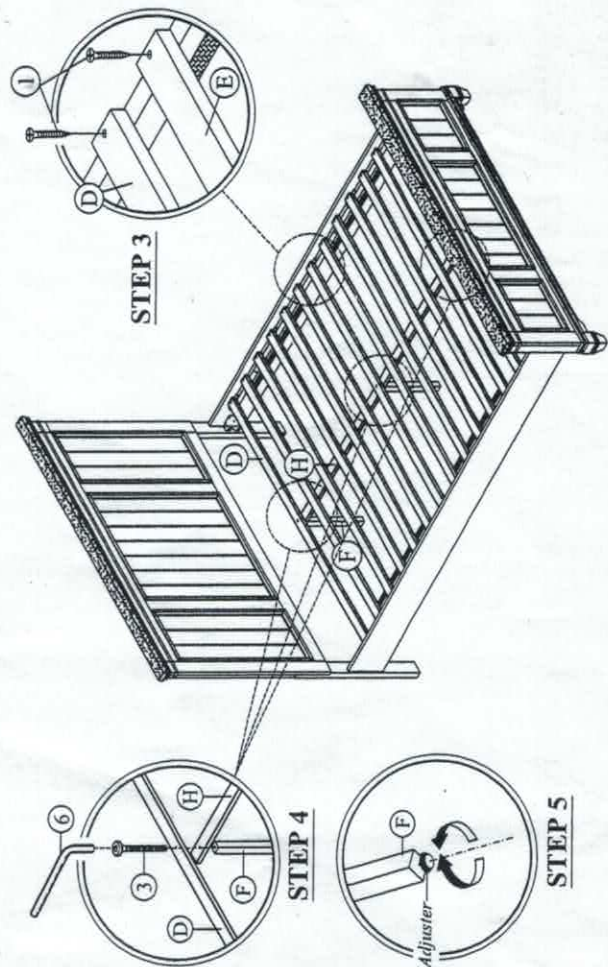
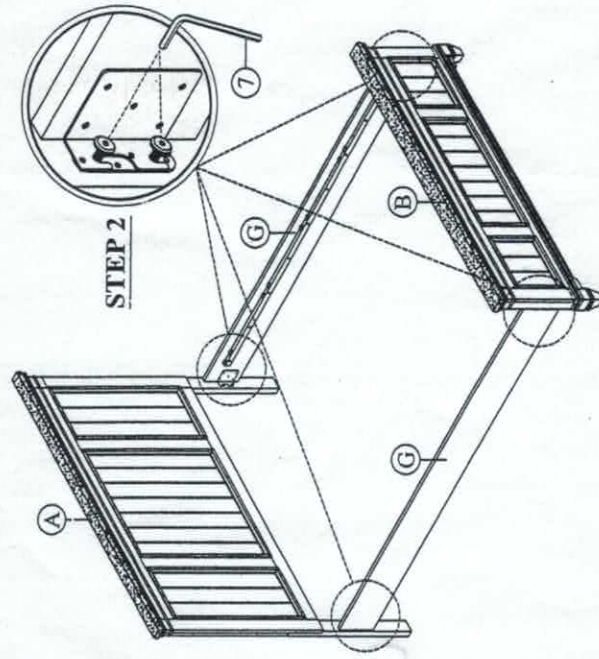
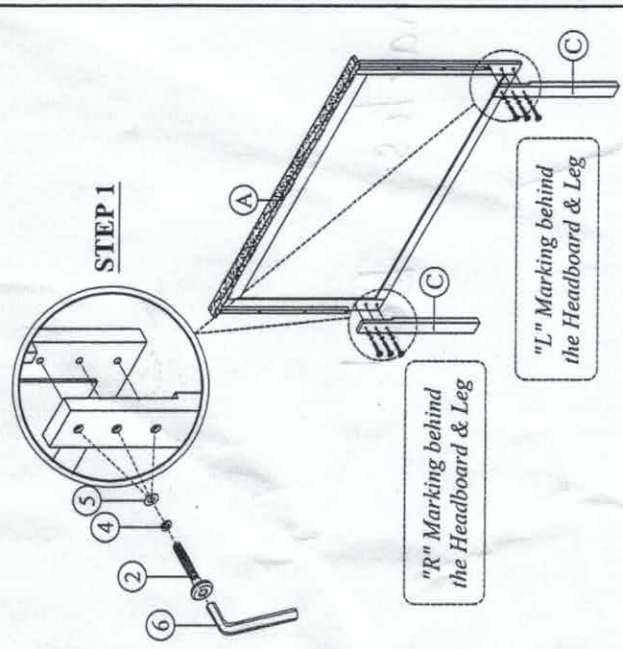
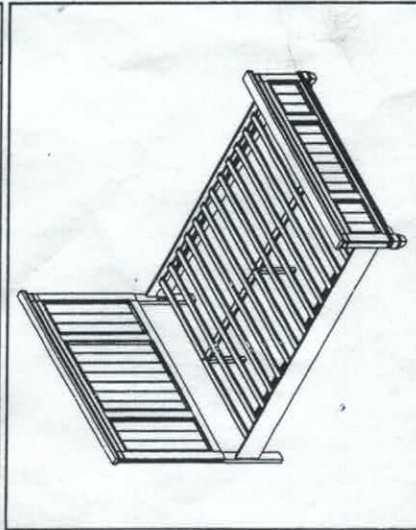
MODEL : C8309A-JX1
C8309A-J72

REVISION : A

Component List		
Headboard & Footboard		
No	Descriptions	Qty
A	Headboard Panel	1
B	Footboard Panel	1
C	Leg (L/R)	2
D	Slat 3 Holes	3
E	Slat Roll (5pcs/roll)	2
F	Slat Support	3

Side Rail		
No	Descriptions	Qty
G	Side Rail	2
H	Center Rail	1

Hardware List In Headboard & Footboard		
No	Descriptions	Qty
1	CSK M4 x 32mm	26
2	JCBC Screw M6 x 30mm	6
3	JCBC Screw M6 x 50mm	3
4	Spring Washer Ø1/4"	6
5	Flat Washer Ø1/4" x 13mm	6
6	L Key M4	1
7	L Key M5	1



NOTE : MUST TIGHTEN SCREWS PERIODICALLY. SCREWS NATURALLY LOOSEN WITH USE. CHECK TIGHTNESS OF ALL SCREWS EVERY 6-8 WEEKS.