
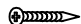


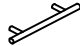







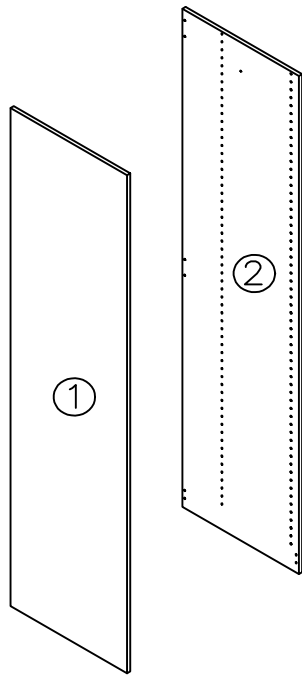


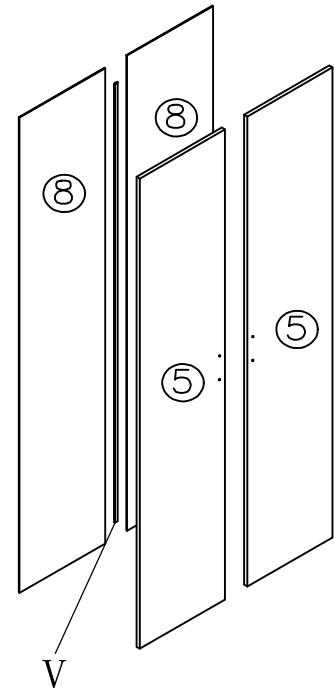
## 2 DOOR WARDROBE

A		Ø15x12	24	PCS	H		Ø3.5x14	32	PCS
B		Ø7x29	24	PCS	I		18MM	40	PCS
C		96MM	2	PCS	J		Ø14	4	PCS
D		M4x20	4	PCS	P			12	PCS
E		Ø6x9	16	PCS	Q		Ø19	12	PCS
G			8	PCS	S		1761MM	1	PCS

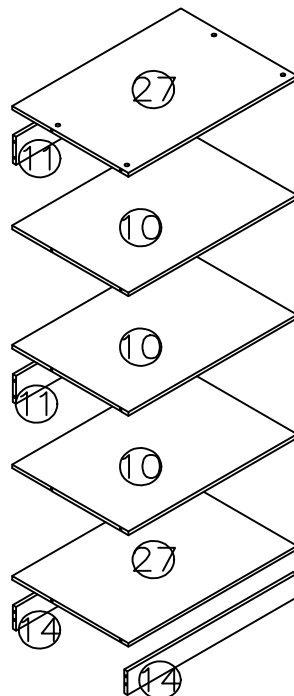
A. L/R side panel



F.2 Full door section



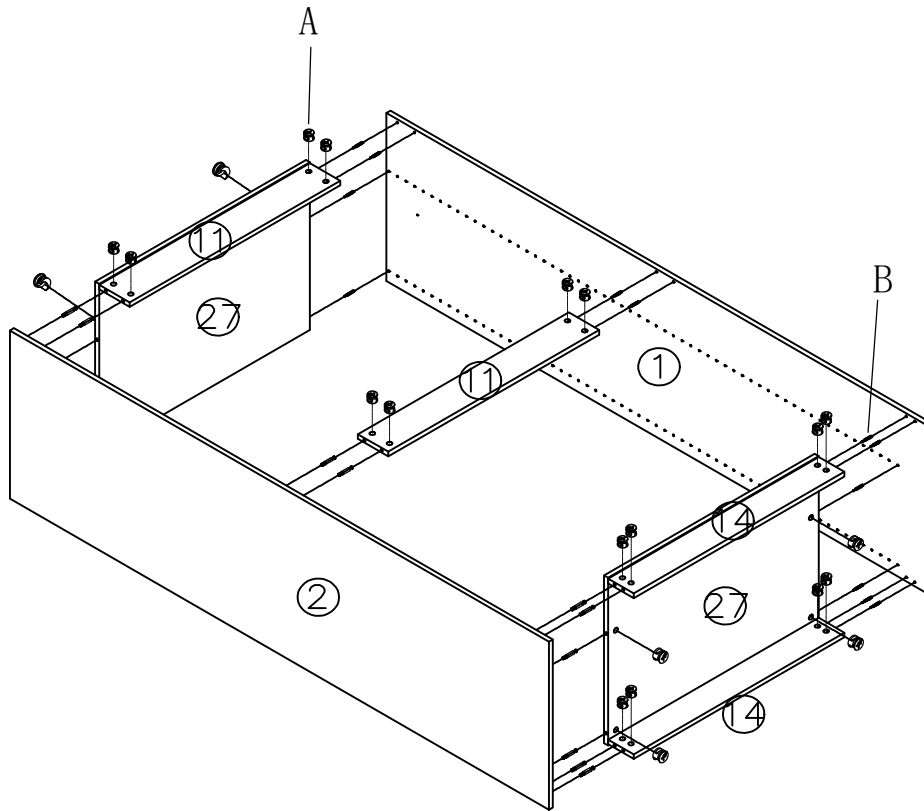
G. Inner parts for 2 doors



# STEP 1

Ax24

Bx24

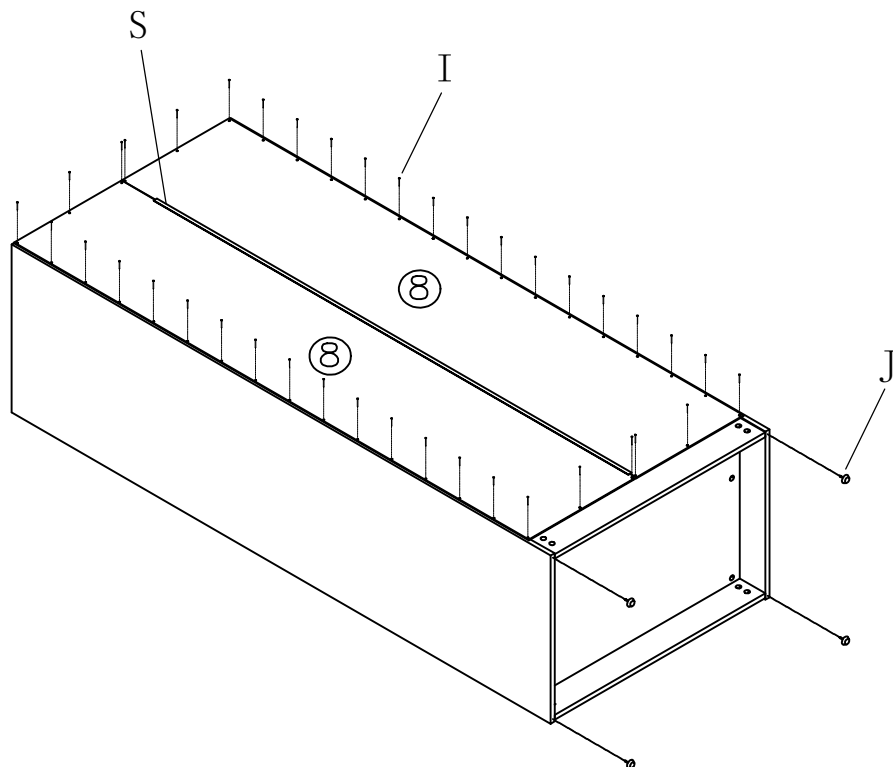


# STEP 2

Ix40

Jx4

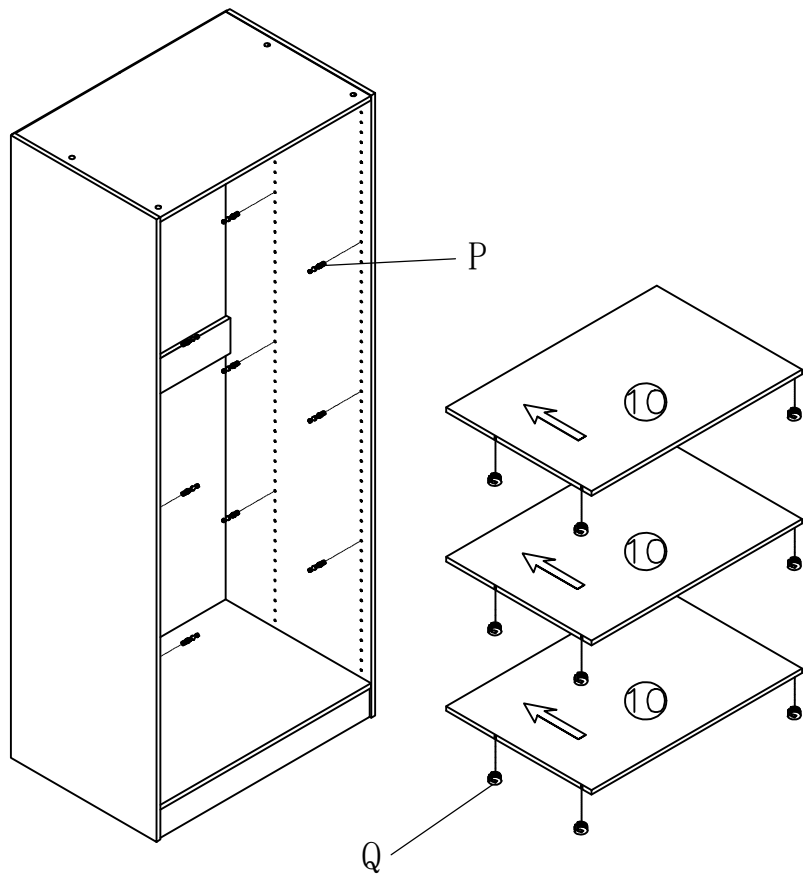
Sx1



# STEP 3

Px12

Qx12



# STEP 4

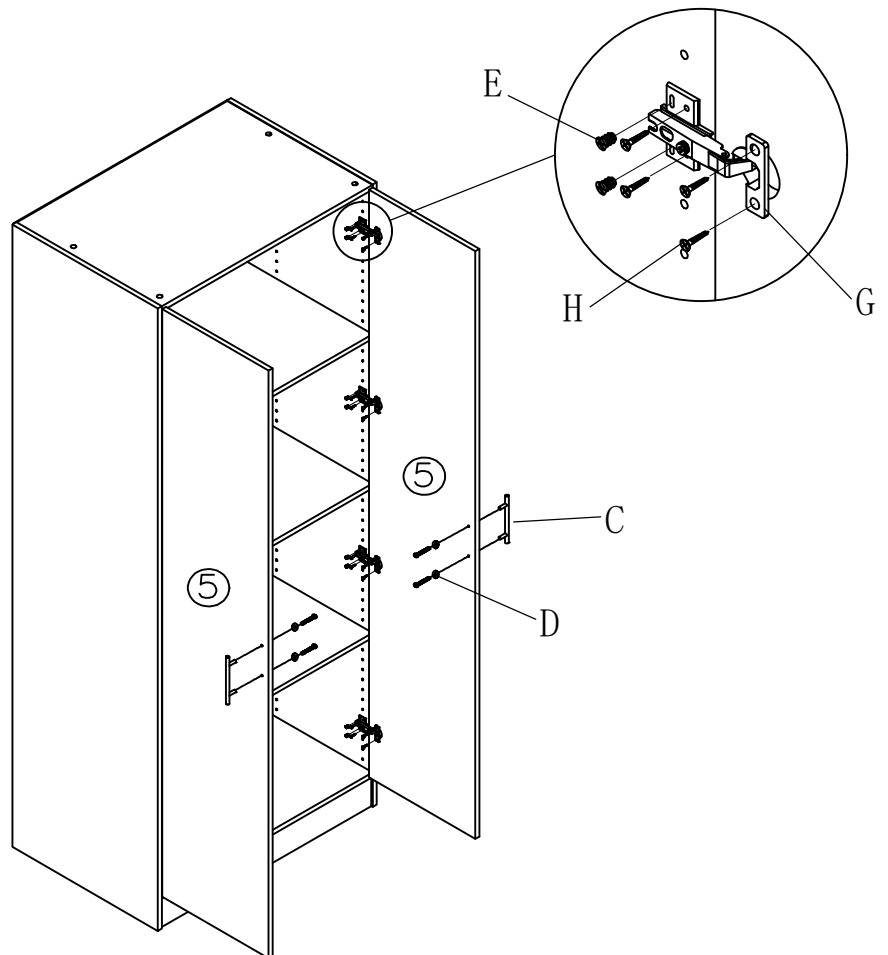
Cx2

Dx4

Ex16

Gx8

Hx32



# STEP 5

