















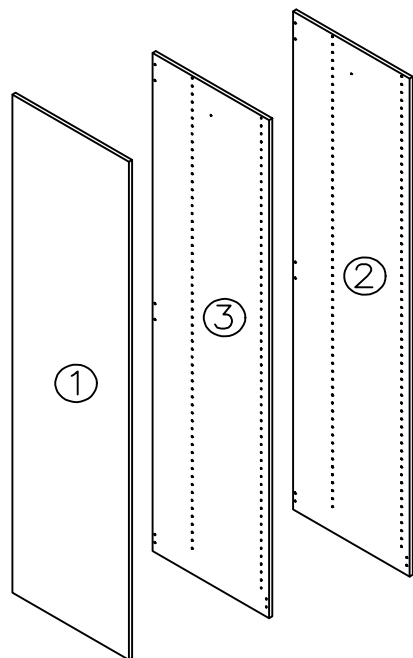


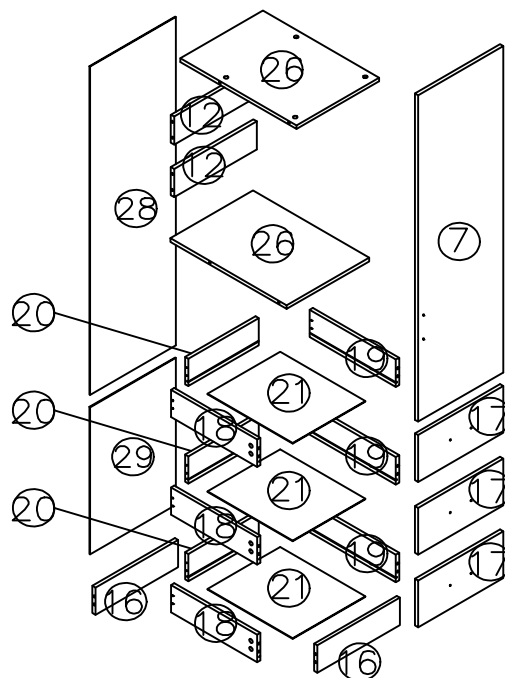
2 DOOR+3 SHORT DRAWER WARDROBE

A		Ø15x12	60	PCS	J		Ø14	6	PCS
B		Ø7x29	60	PCS	K1		16"	3	SETS
C		96MM	5	PCS	K2				
D		M4x20	10	PCS	L		Ø4x40	12	PCS
E		Ø6x9	14	PCS	M			2	PCS
F		Ø6x7	12	PCS	P			12	PCS
G			7	PCS	Q		Ø19	12	PCS
H		Ø3.5x14	53	PCS	V		378MM	1	PCS
I		18MM	80	PCS					

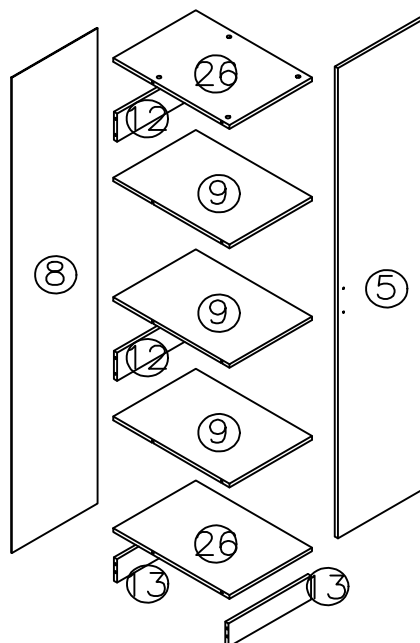
B. L/R panel+1partition



D. 1door+3drawer section



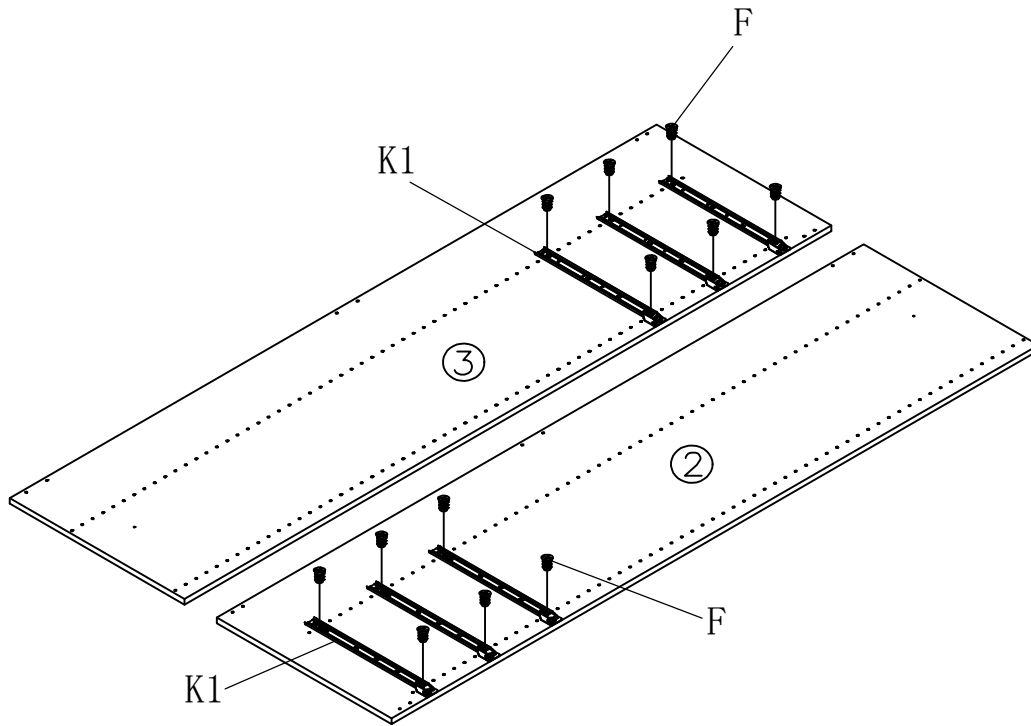
E. 1 Full door section



STEP 1

Fx12

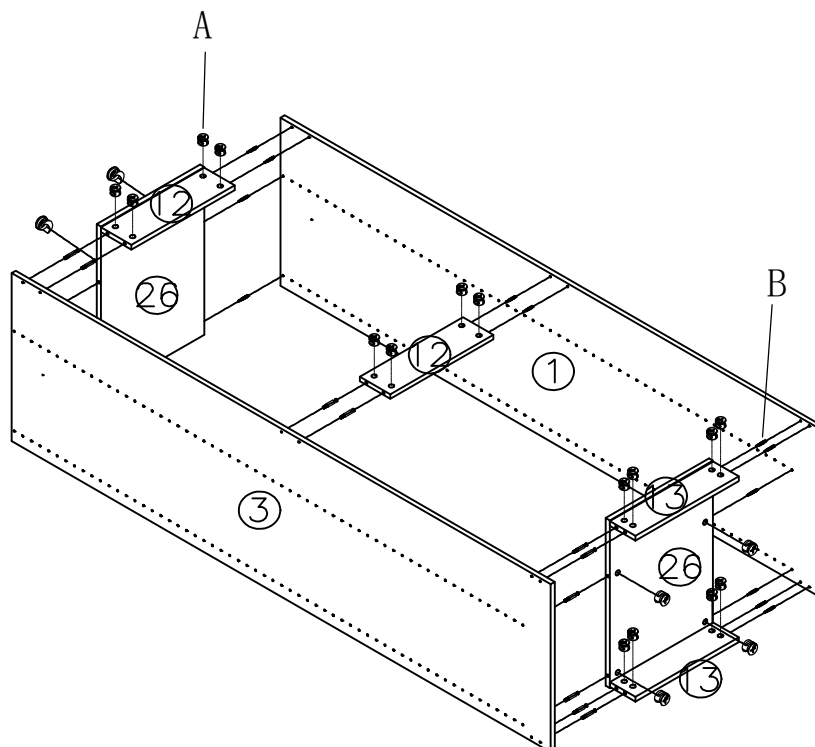
K1x6



STEP 2

Ax24

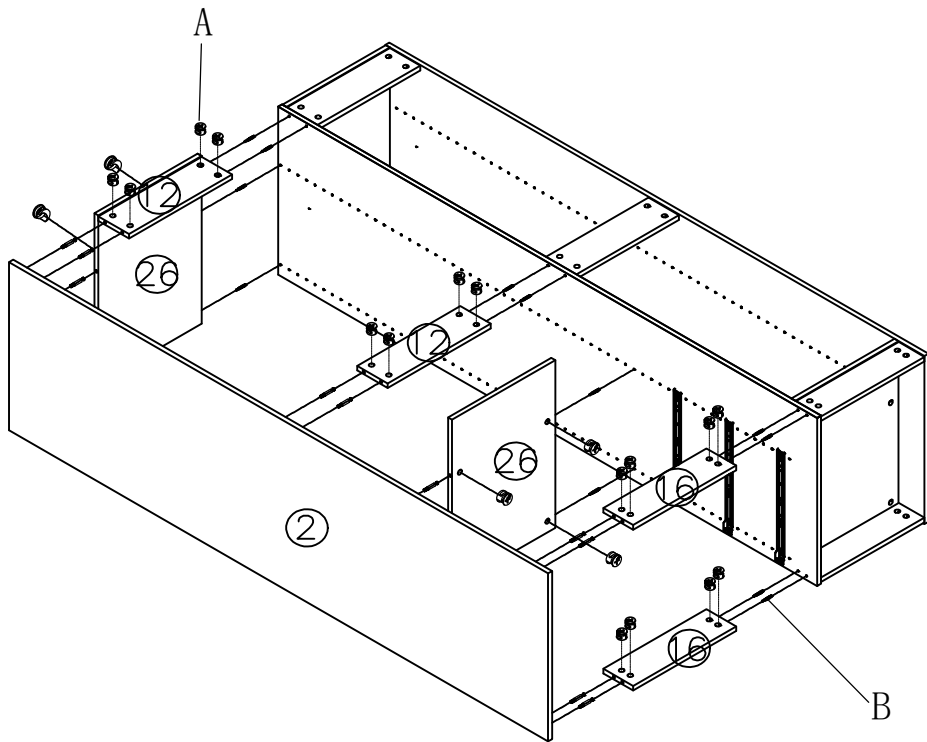
Bx24



STEP 3

Ax24

Bx24

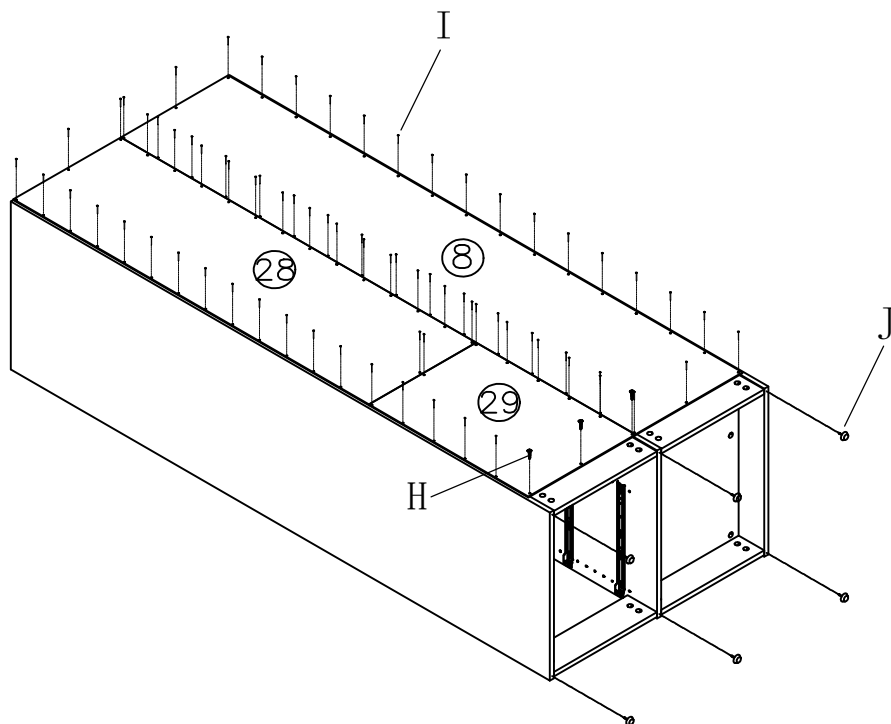


STEP 4

Hx3

Ix80

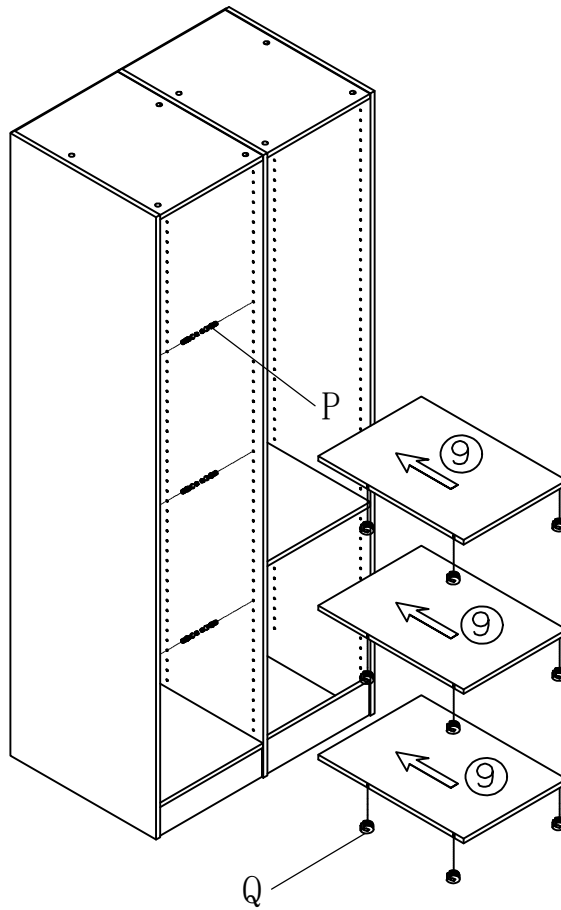
Jx6



STEP 5

Px12

Qx12



STEP 6

Cx2

Dx4

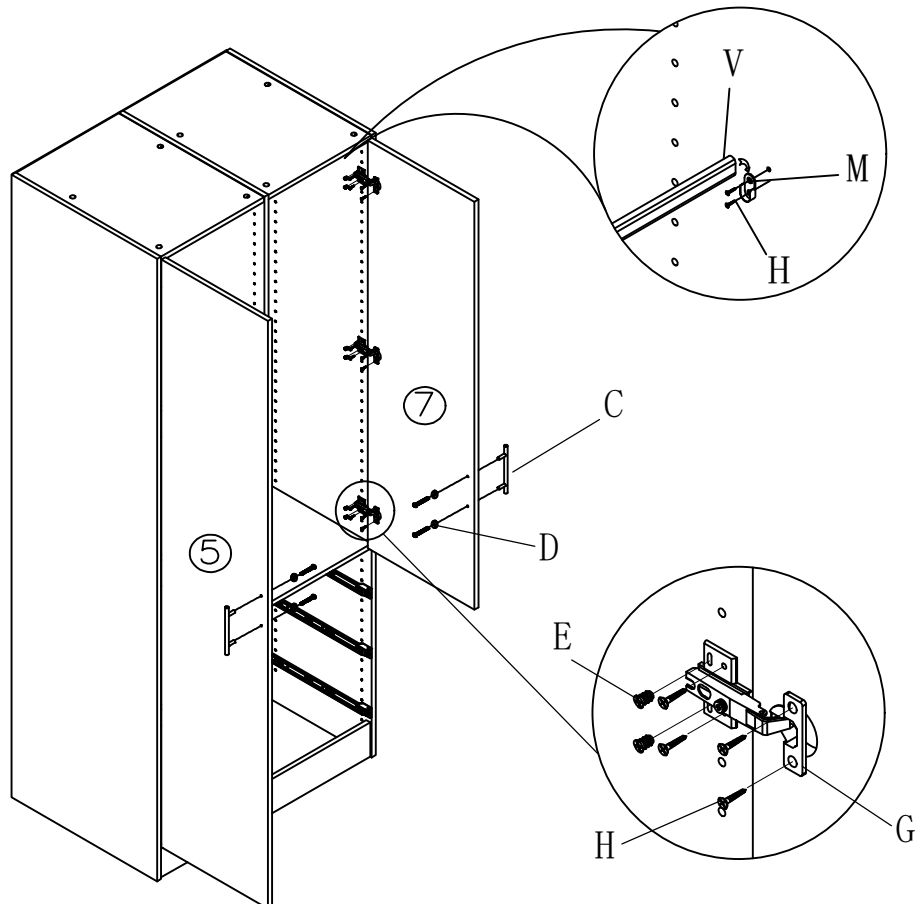
Ex14

Gx7

Hx32

Mx2

Vx1



STEP 7

Ax12

Bx12

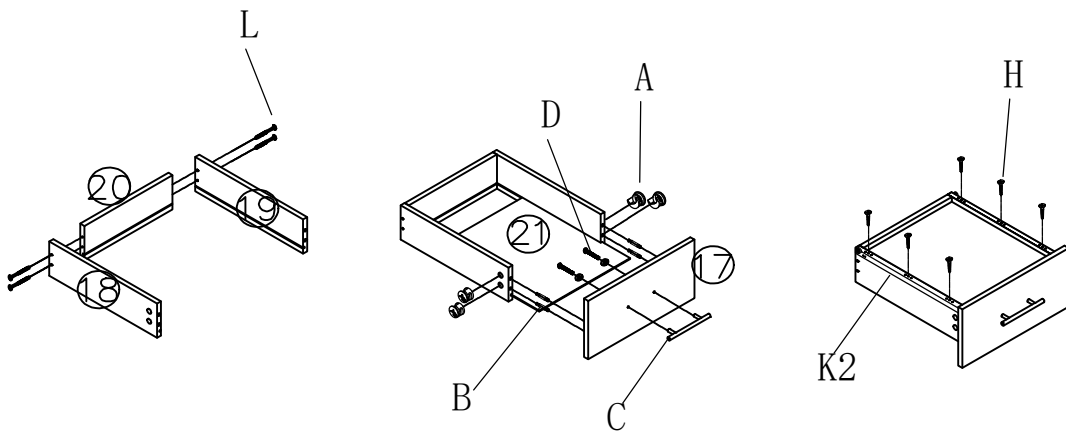
Cx3

Dx6

Hx18

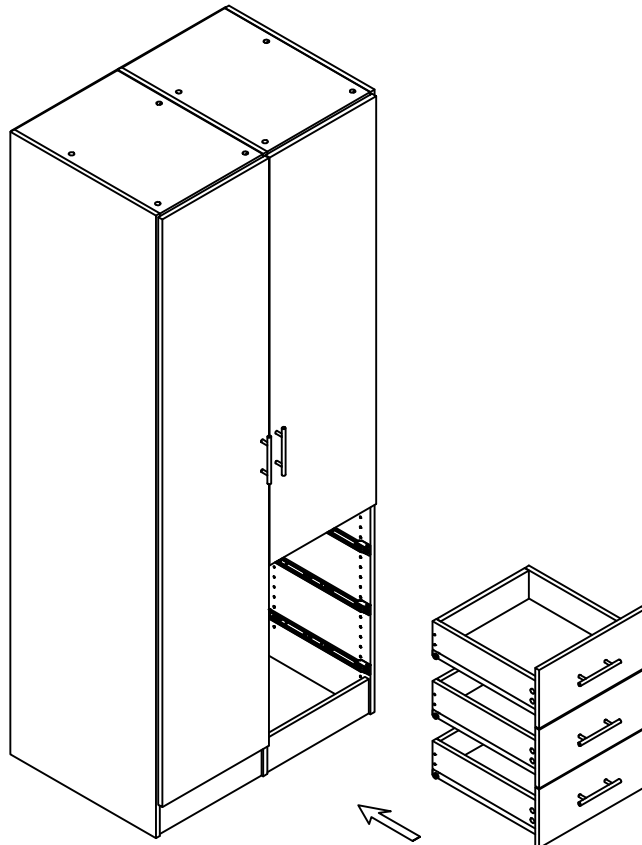
K2x6

Lx12



X3

STEP 8



STEP 9

