



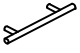














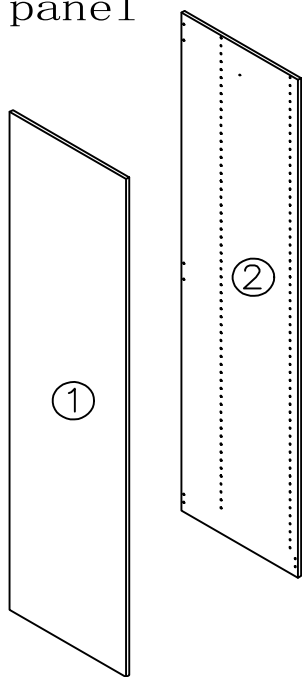


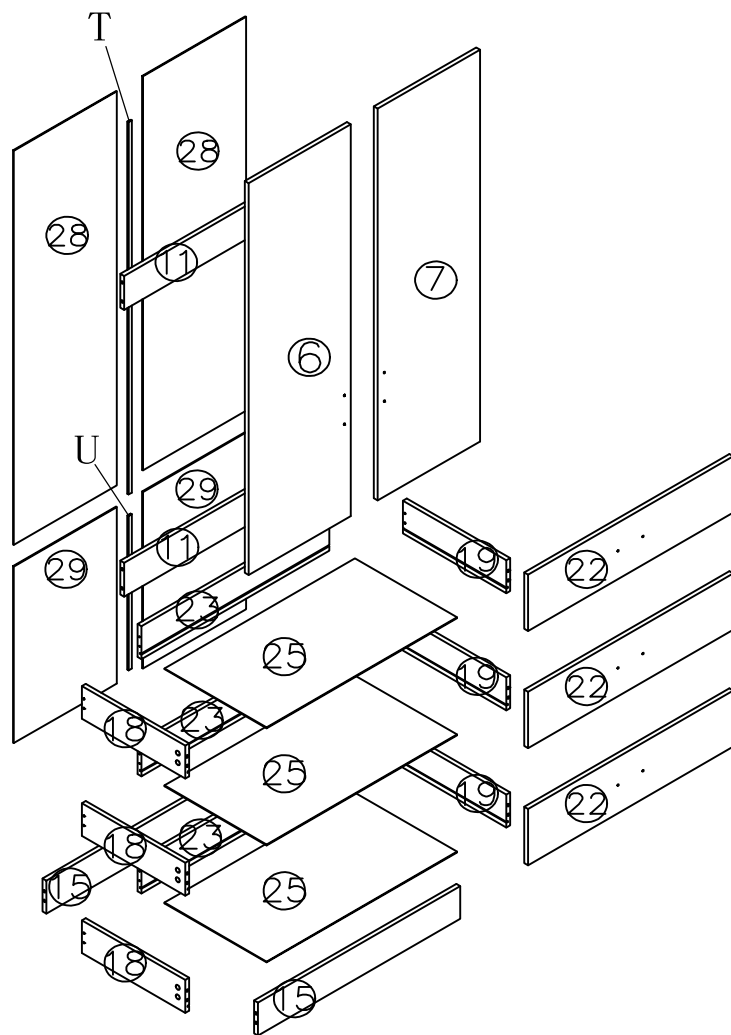
## 2 DOOR+3 DRAWER WARDROBE

A		Ø15x12	36	PCS	K1		16"	3	SETS
B		Ø7x29	36	PCS	K2				
C		96MM	5	PCS	L		Ø4x40	12	PCS
D		M4x20	10	PCS	M			2	PCS
E		Ø6x9	12	PCS	N			18	PCS
F		Ø6x7	12	PCS	O		Ø3x16	18	PCS
G			6	PCS	R		775MM	1	PCS
H		Ø3.5x14	52	PCS	T		1244MM	1	PCS
I		18MM	50	PCS	U		516MM	1	PCS
J		Ø14	4	PCS					

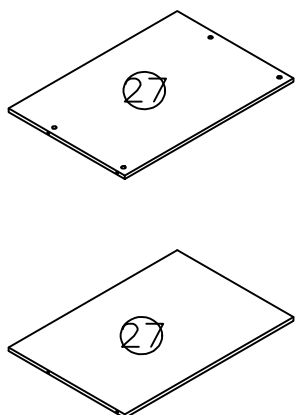
A. L/R side panel



H. 2door+3 drawer section



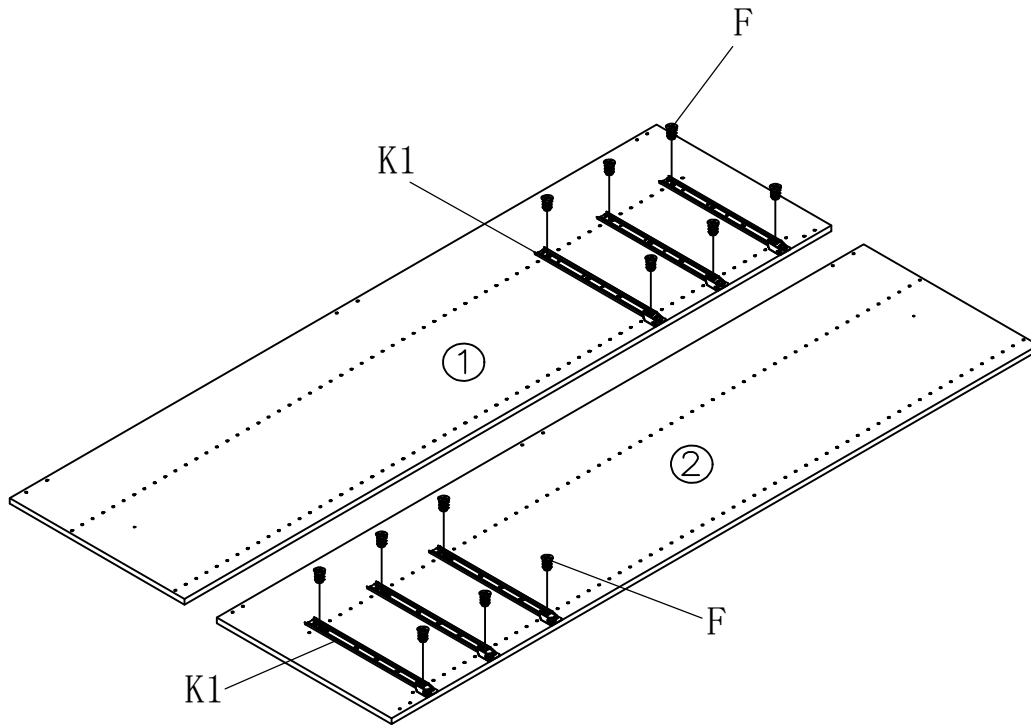
K. Two shelves



# STEP 1

Fx12

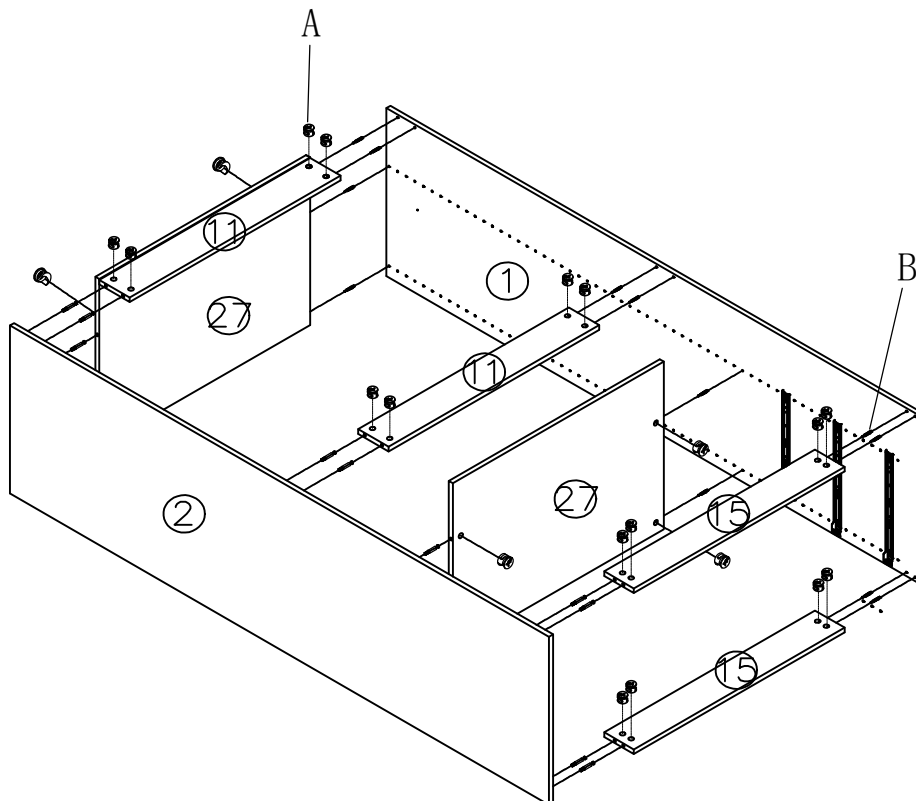
K1x6



# STEP 2

Ax24

Bx24





## STEP 5

Ax12

Bx12

Cx3

Dx6

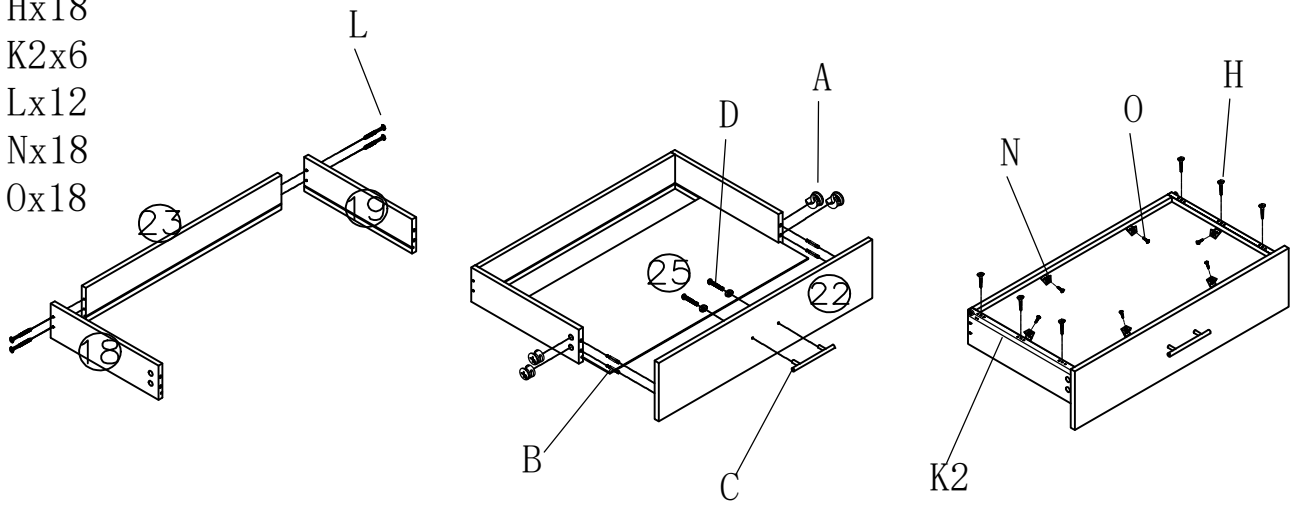
Hx18

K2x6

Lx12

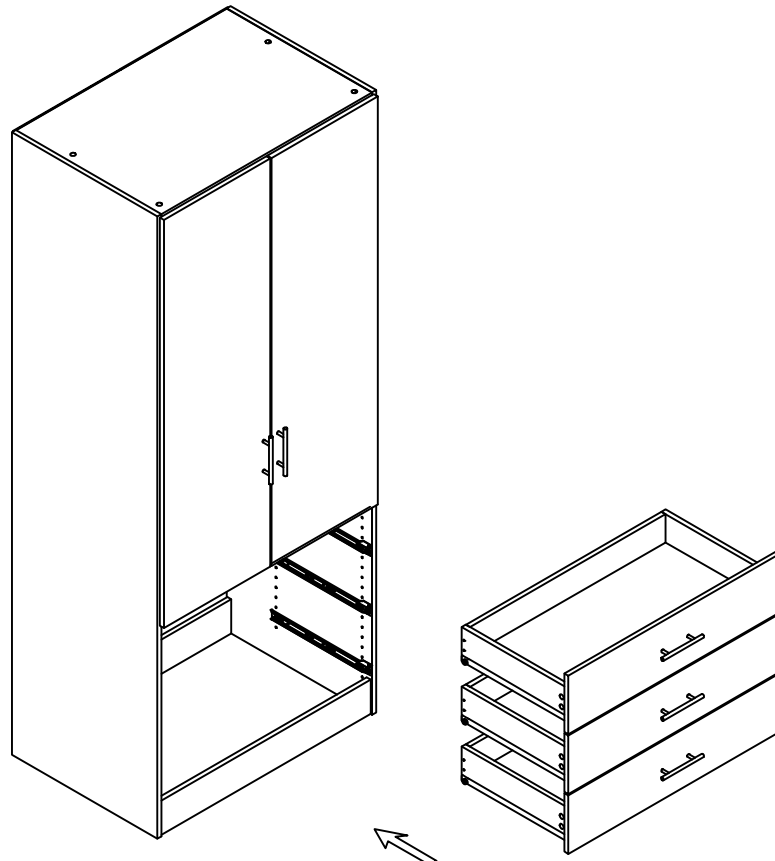
Nx18

Ox18



X3

## STEP 6



# STEP 7

