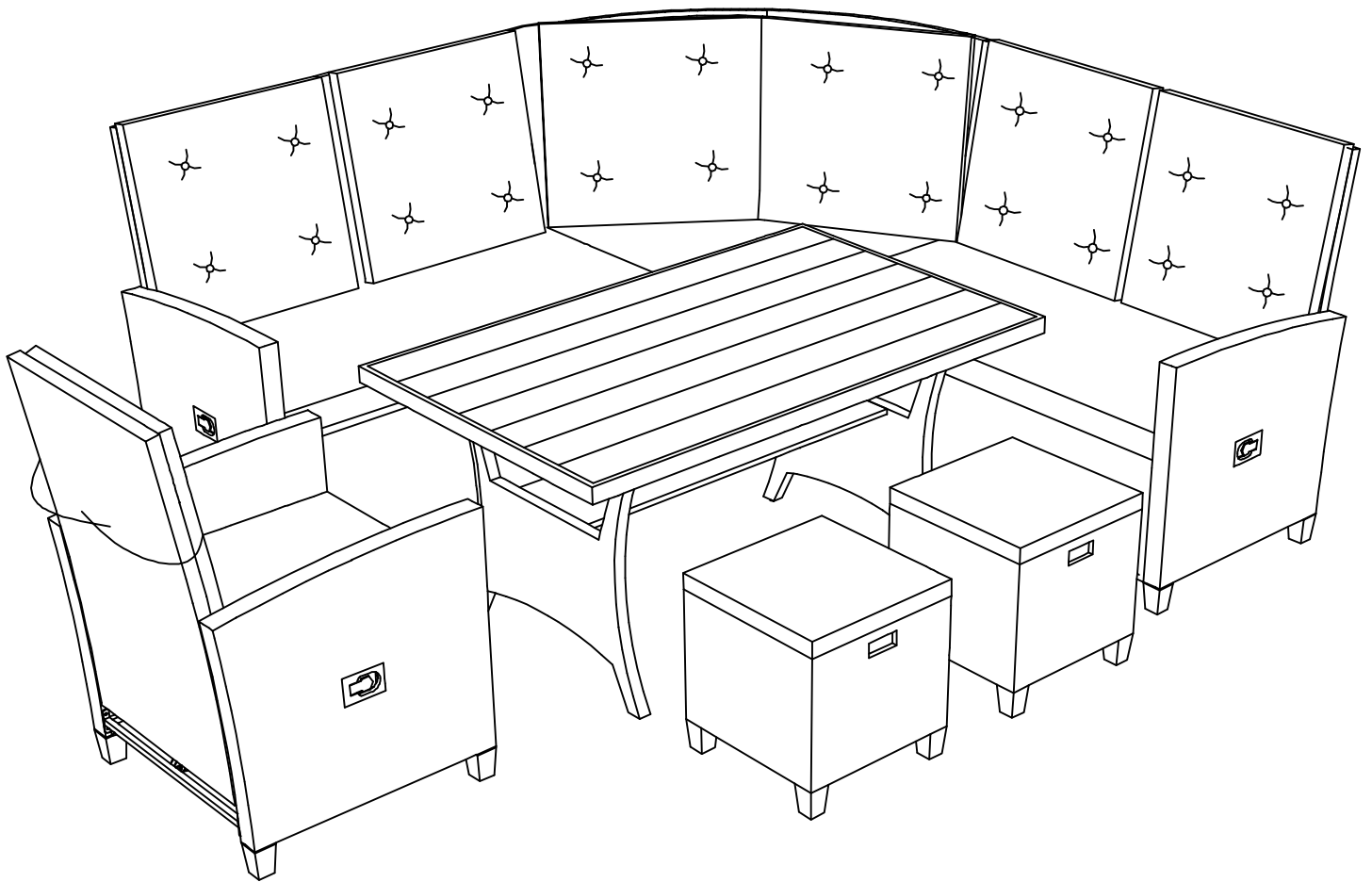
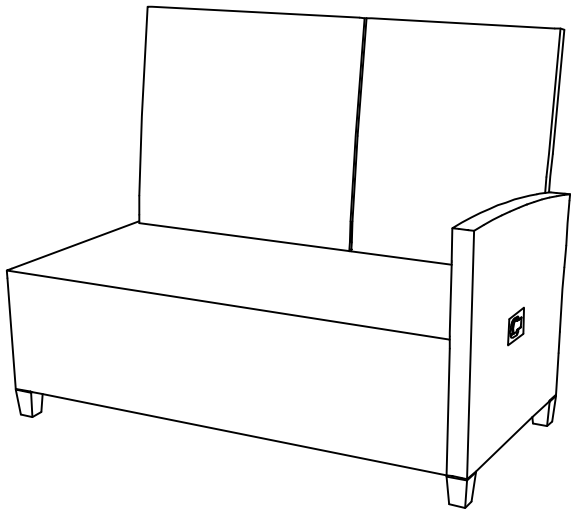
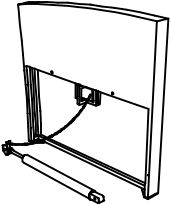
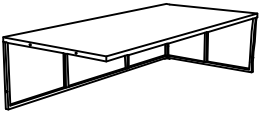
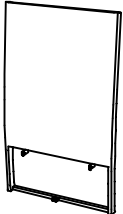
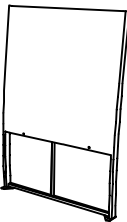

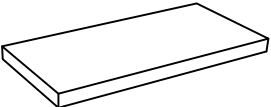
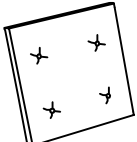
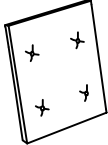

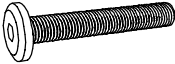
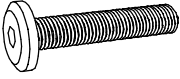





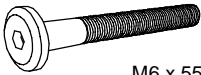
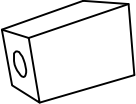
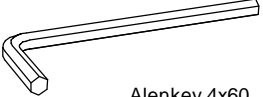



ASSEMBLY INSTRUCTION

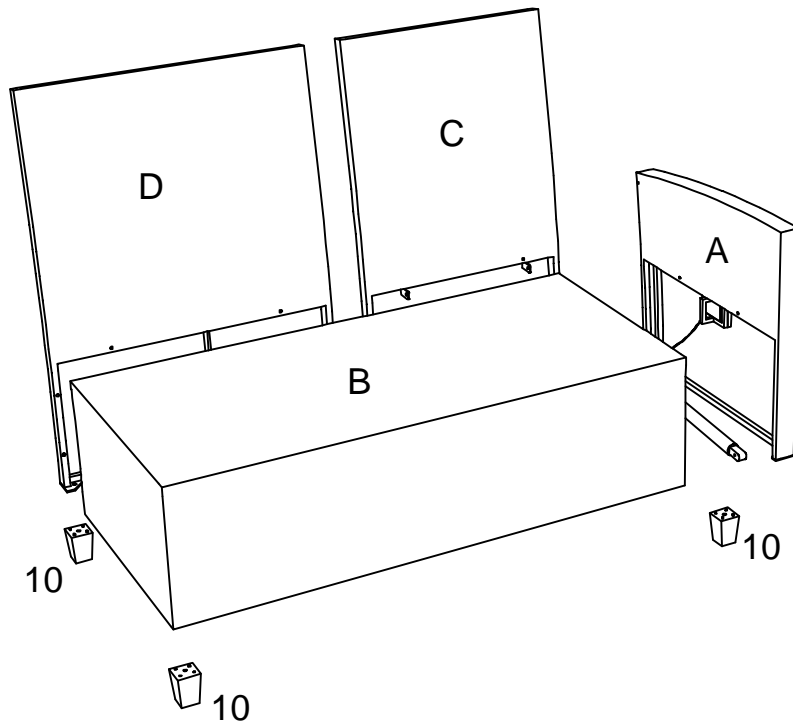




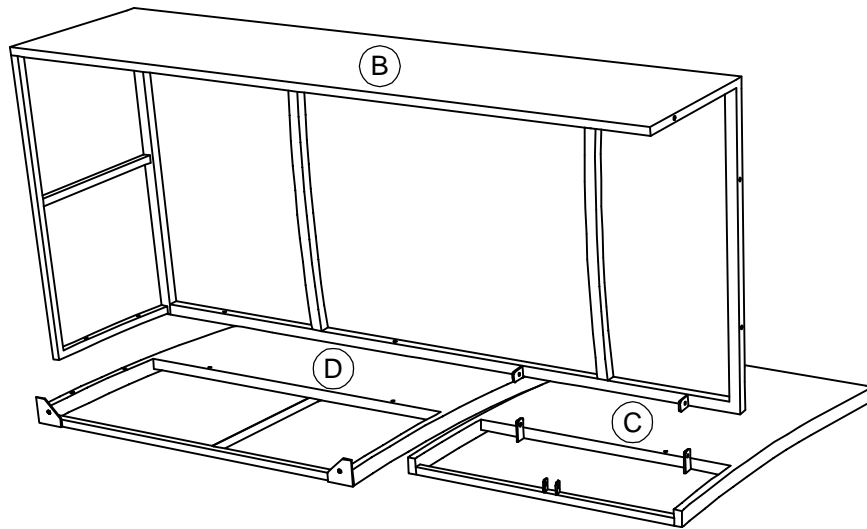
A		1 PC
B		1 PC
C		1 PC
D		1 PC
E		1 PC
I		1 PC
K		1 PC

A1		1 PC
1	 M6 x 35	3 PCS
2	 M6 x 40	4 PCS
3	 M8 x 40	2 PCS
4	 M8 x 20	2 PCS
5	 M6 x 20	4 PCS
6	 Ø6 x 14	11 PCS
7	 Ø8 x 16	4 PCS
8	 Eru M8	4 PCS
9	 M6 x 55	5 PCS
10		5 PCS
11	 Allenkey 4x60	1 PC
12	 Spanner No.13	1 PC

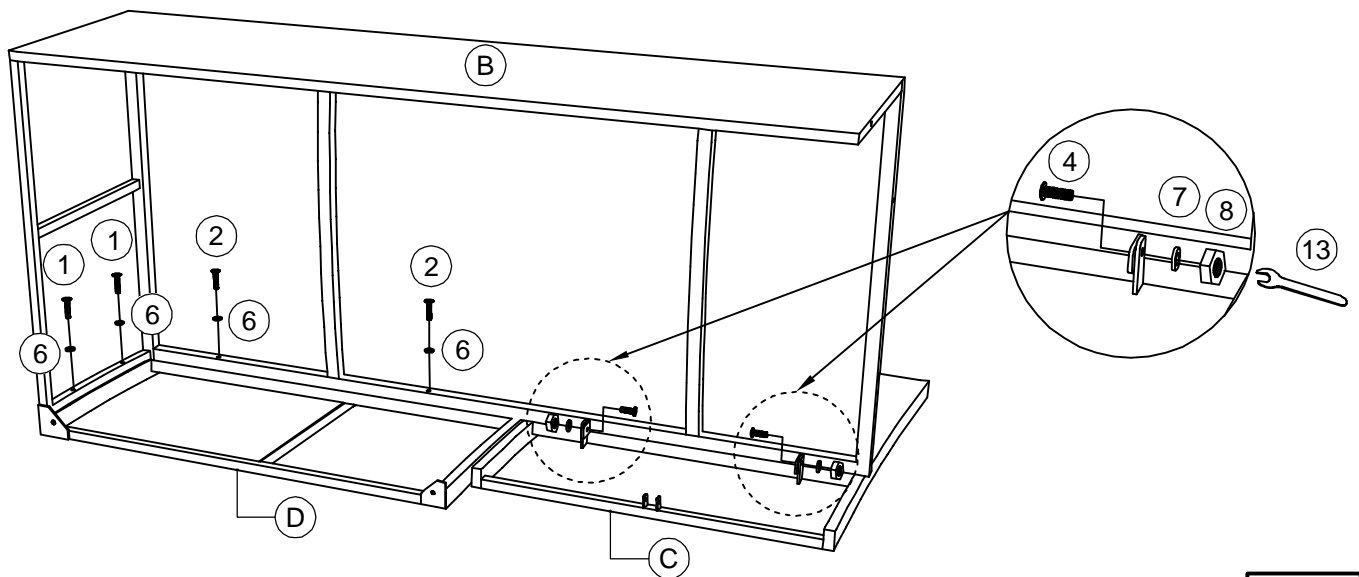
1



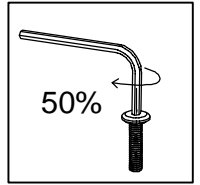
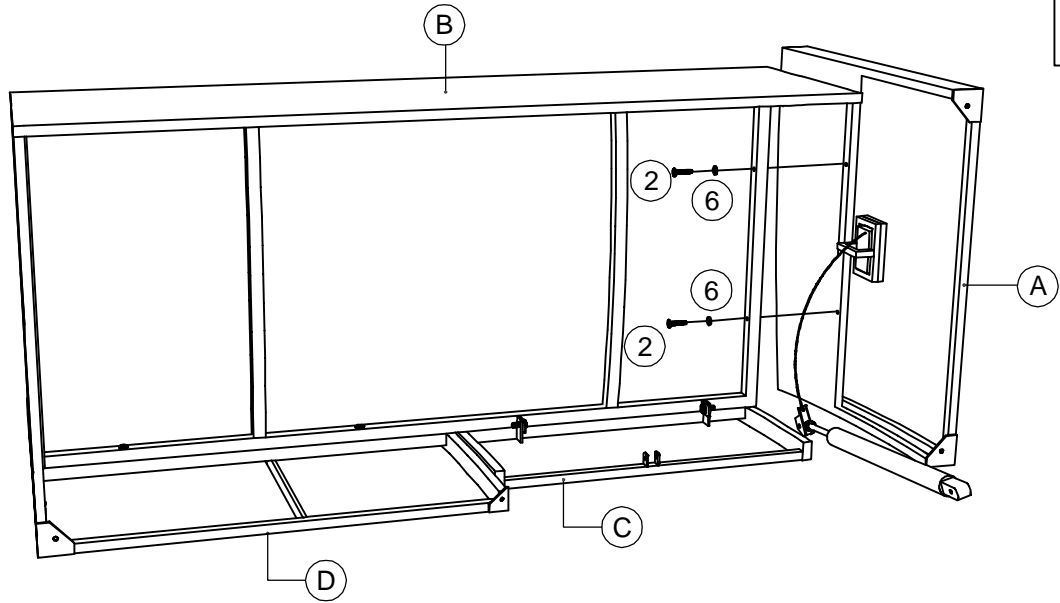
2



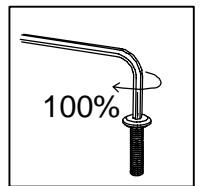
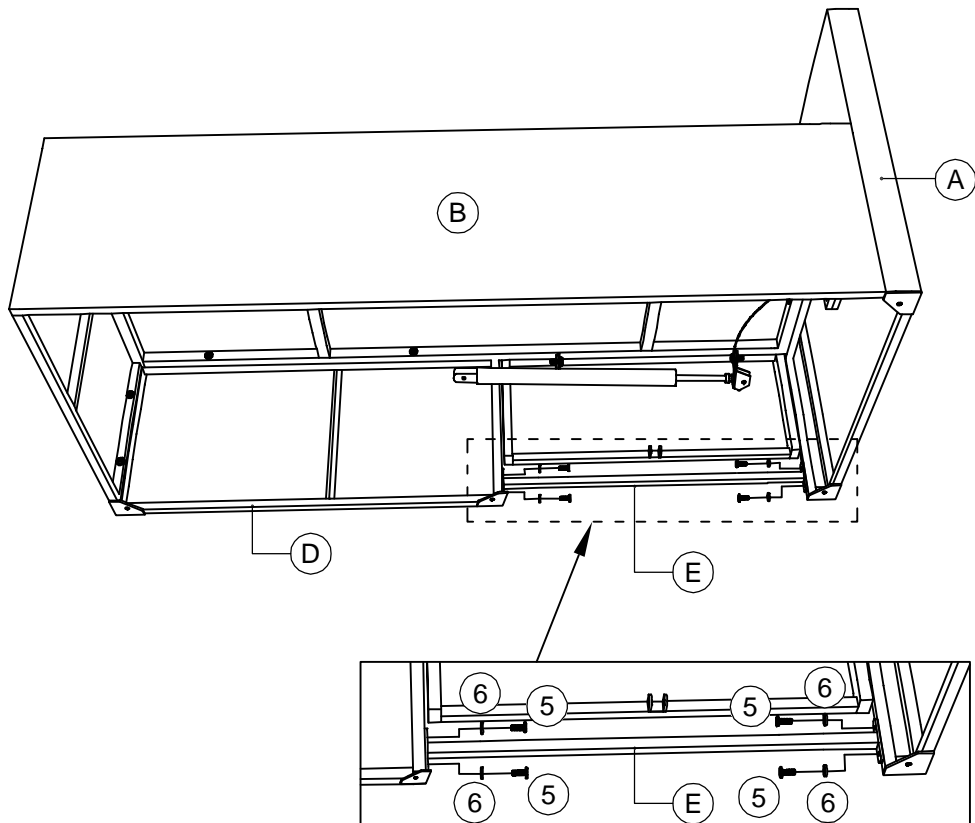
3



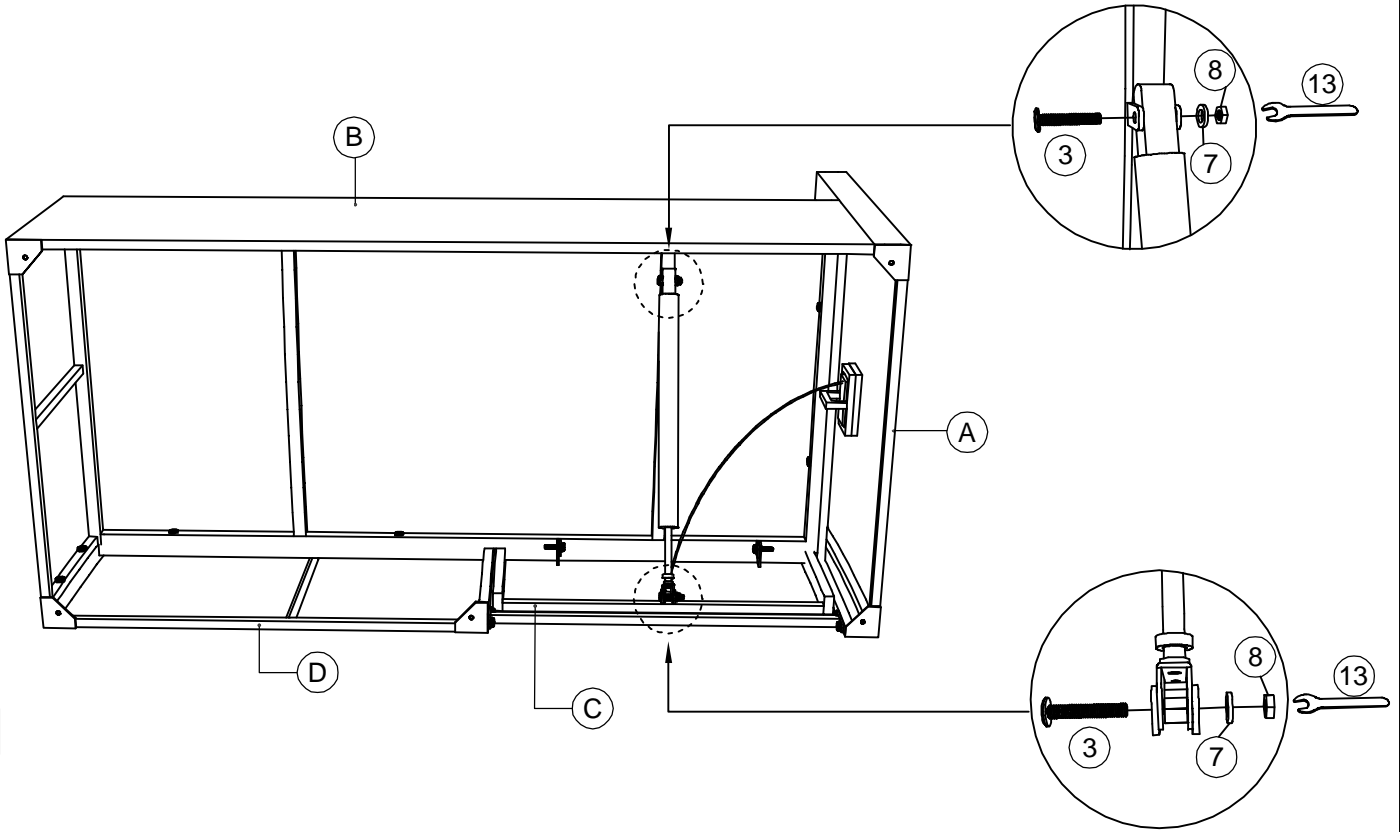
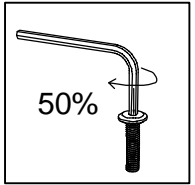
4



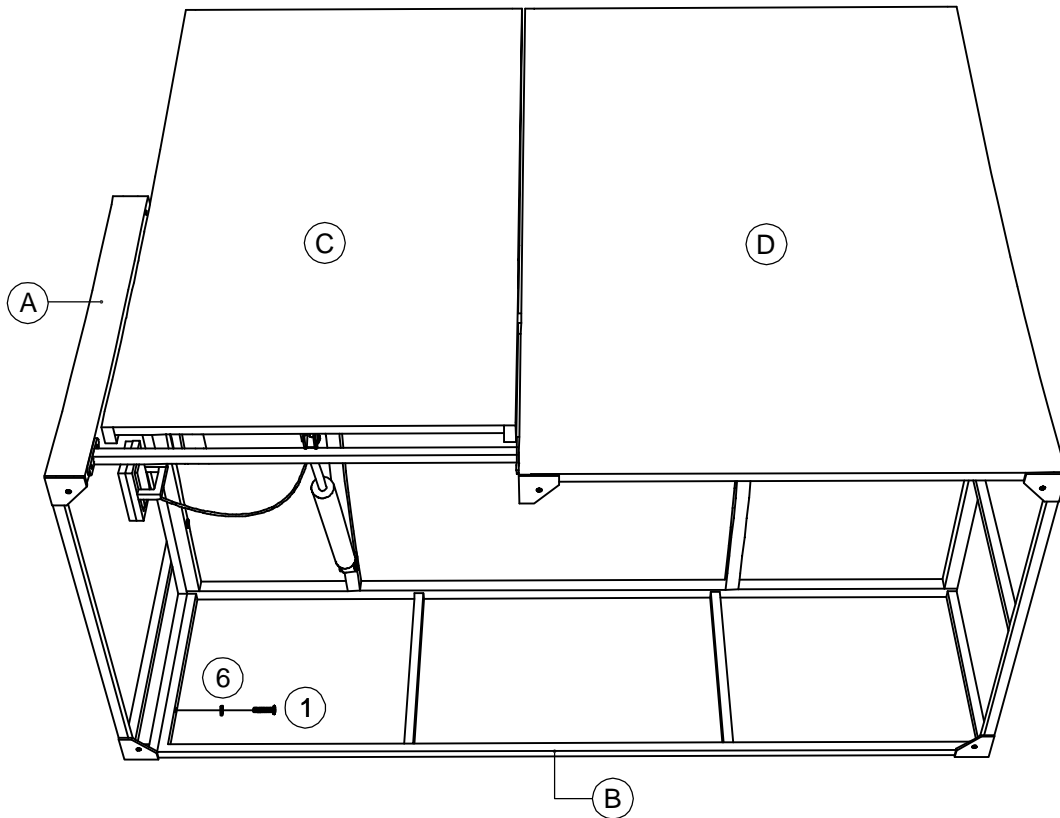
5



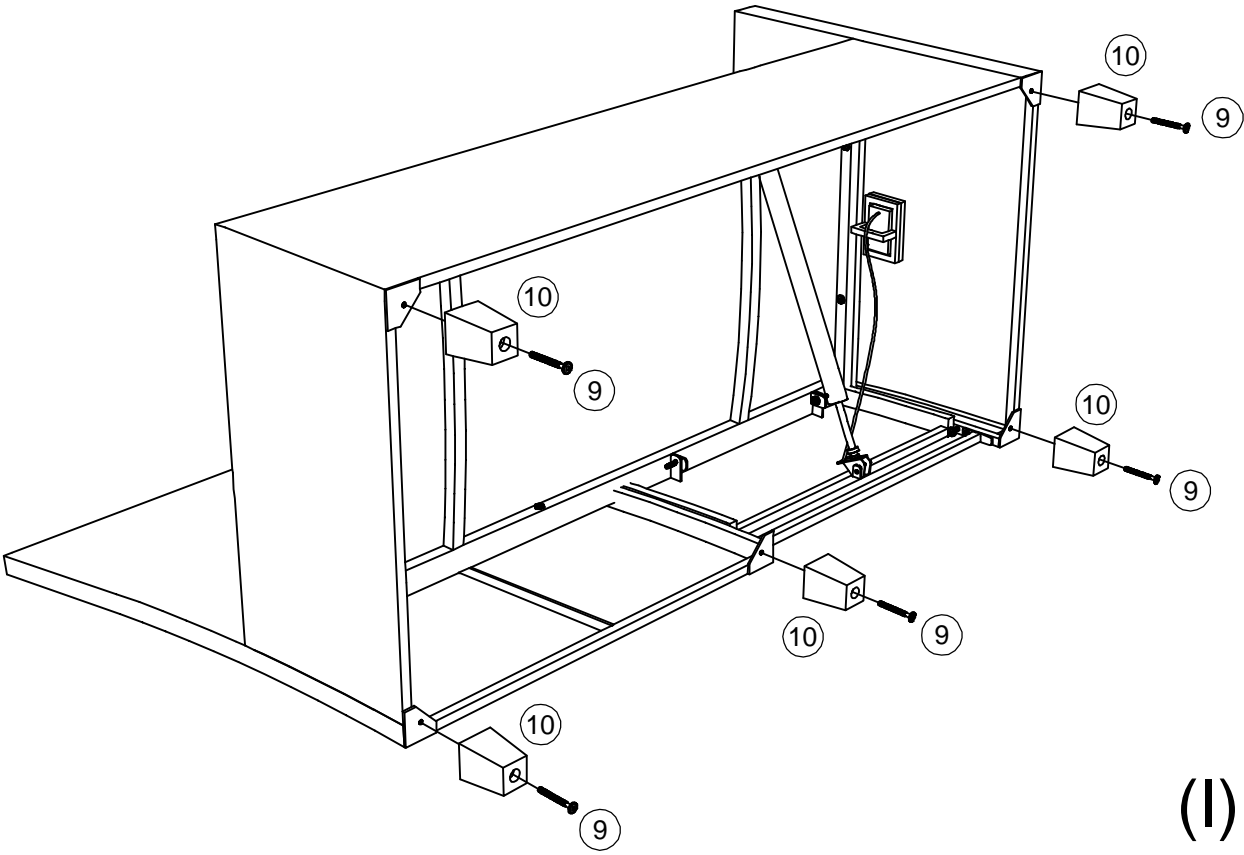
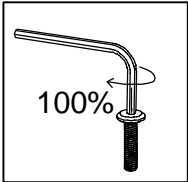
6



7

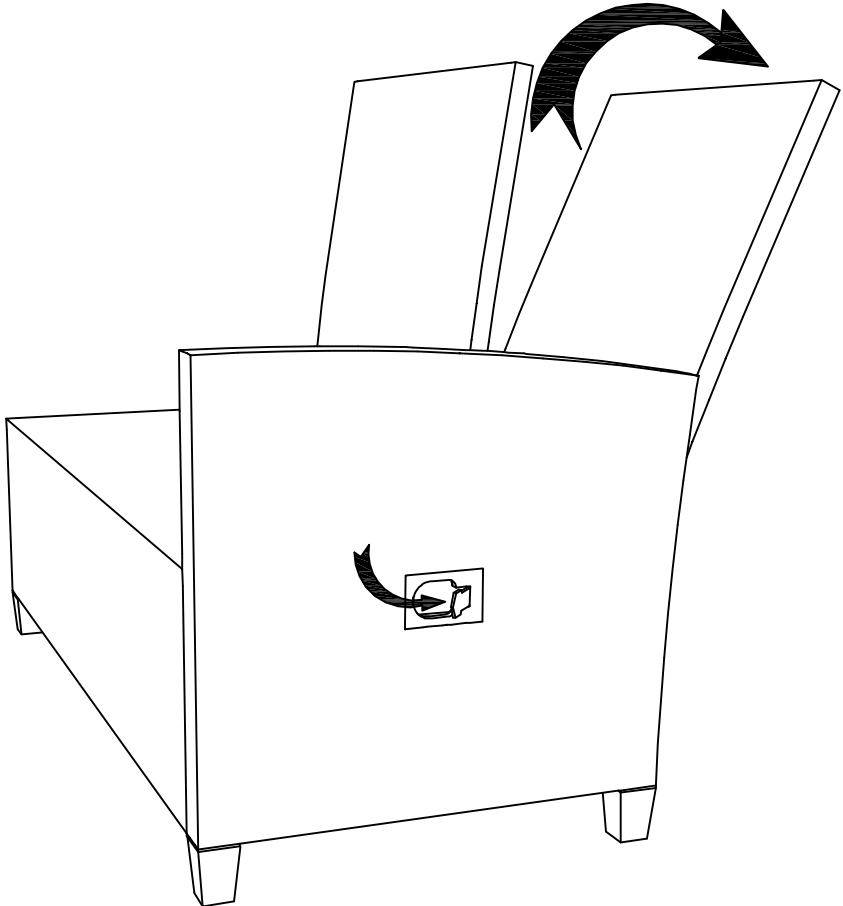


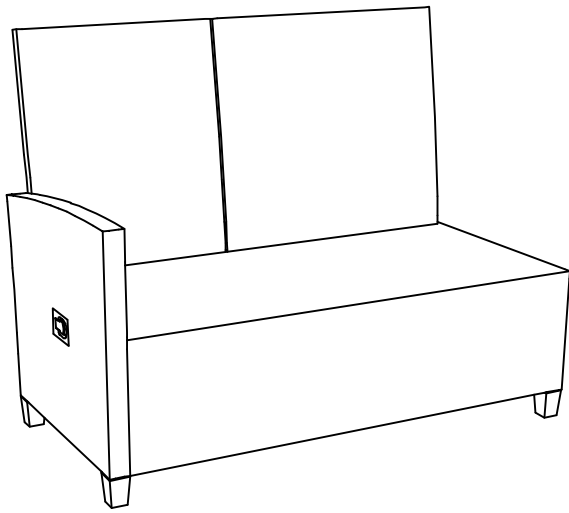
8

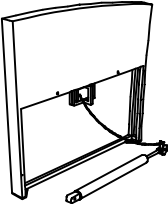

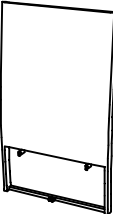
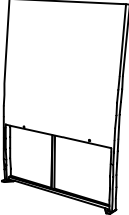

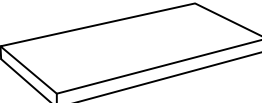
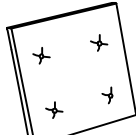


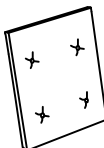

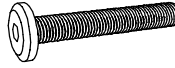
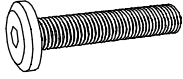





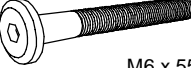
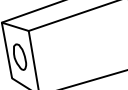
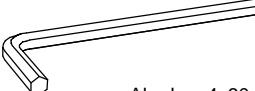

(I)

9

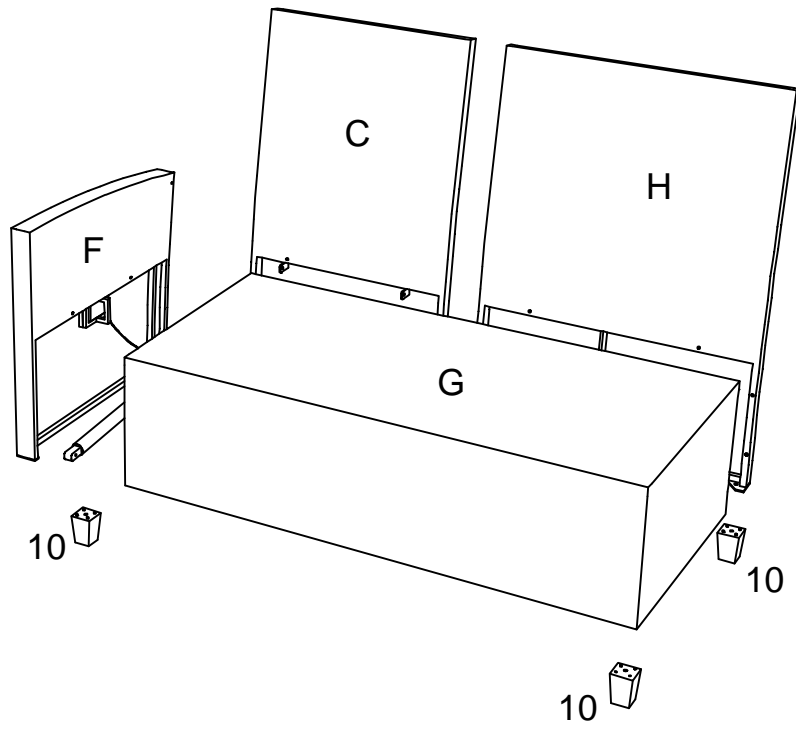




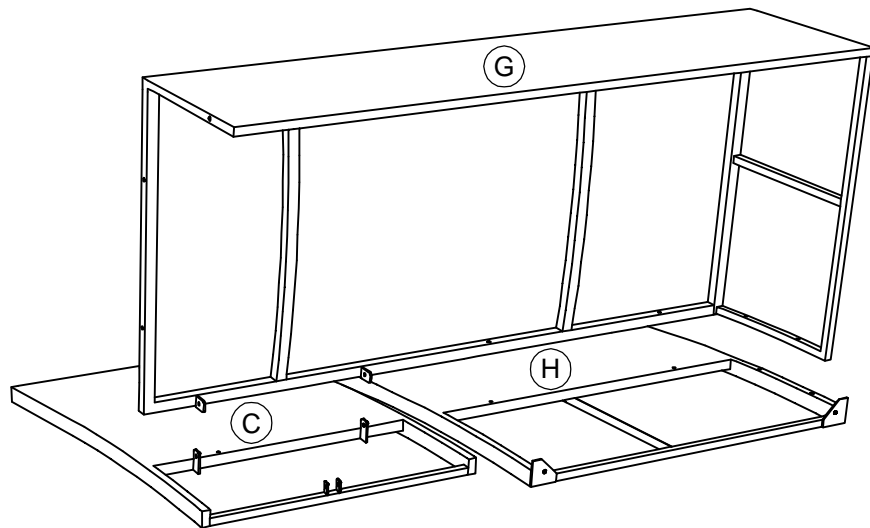
F		1 PC
G		1 PC
C		1 PC
H		1 PC
E		1 PC
I		1 PC
K		1 PC

A1		1 PC
1	 M6 x 35	3 PCS
2	 M6 x 40	4 PCS
3	 M8 x 40	2 PCS
4	 M8 x 20	2 PCS
5	 M6 x 20	4 PCS
6	 Ø6 x 14	11 PCS
7	 Ø8 x 16	4 PCS
8	 Eru M8	4 PCS
9	 M6 x 55	5 PCS
10		5 PCS
11	 Alenkey 4x60	1 PC
12	 Spanner No.13	1 PC

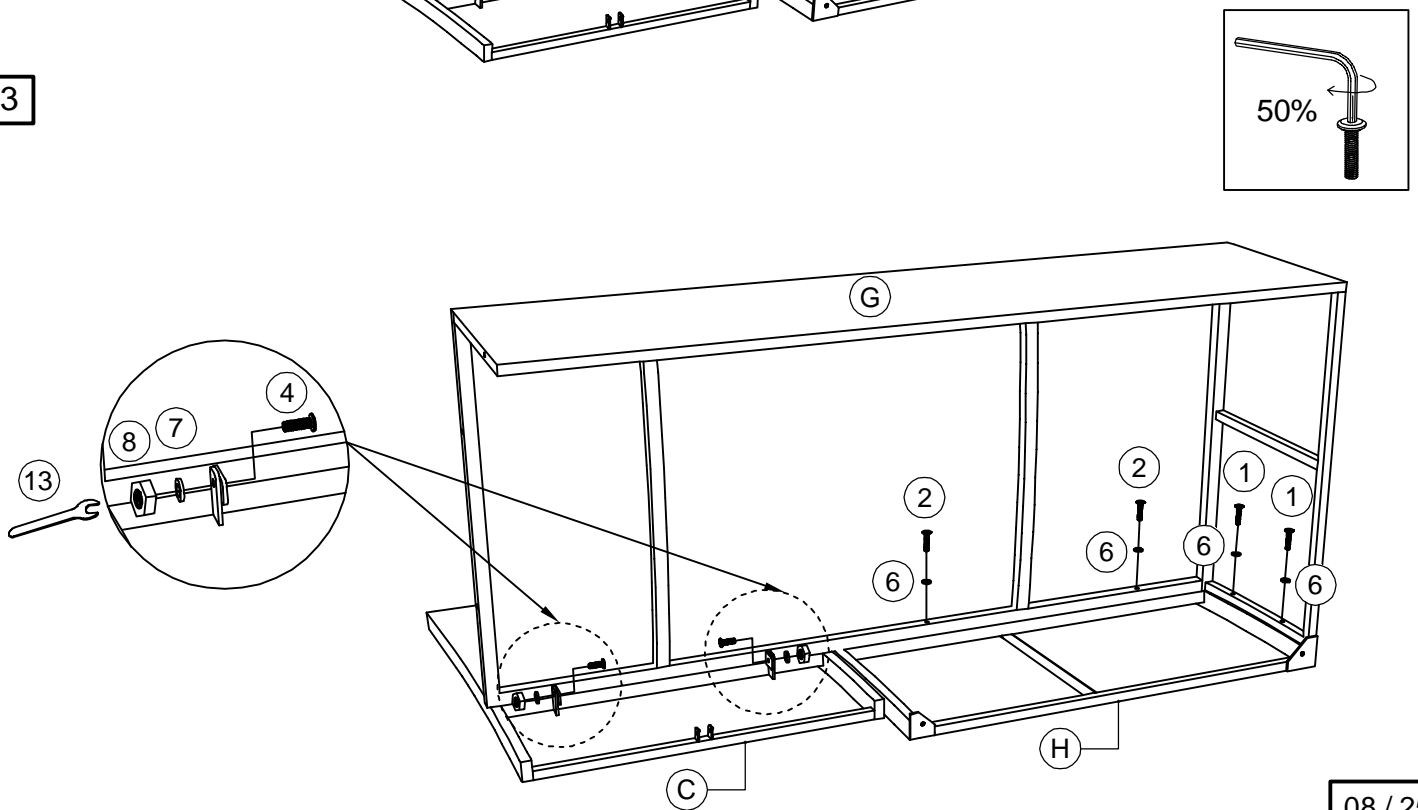
1



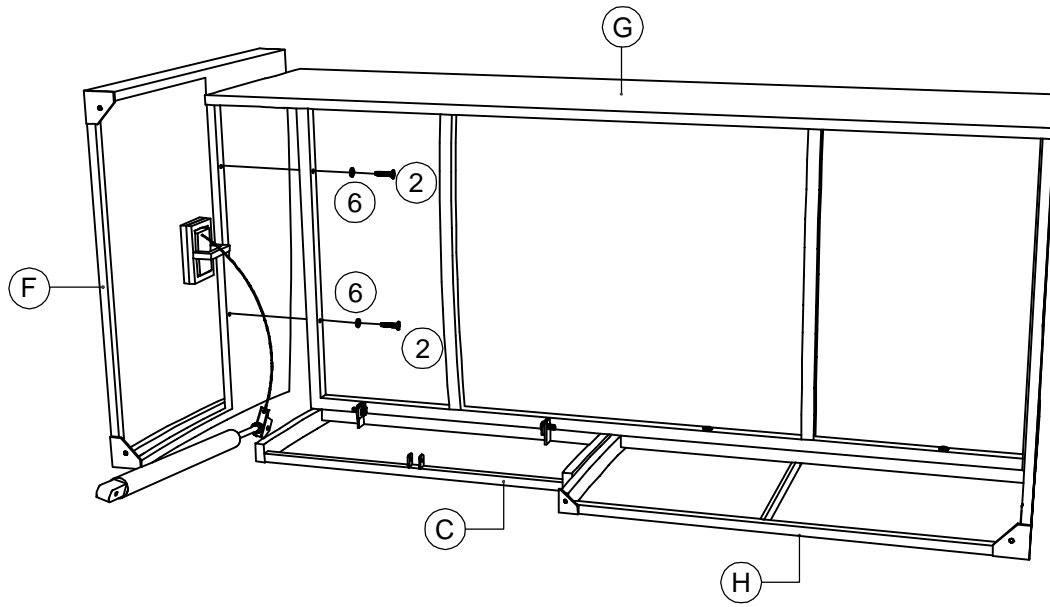
2



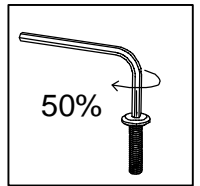
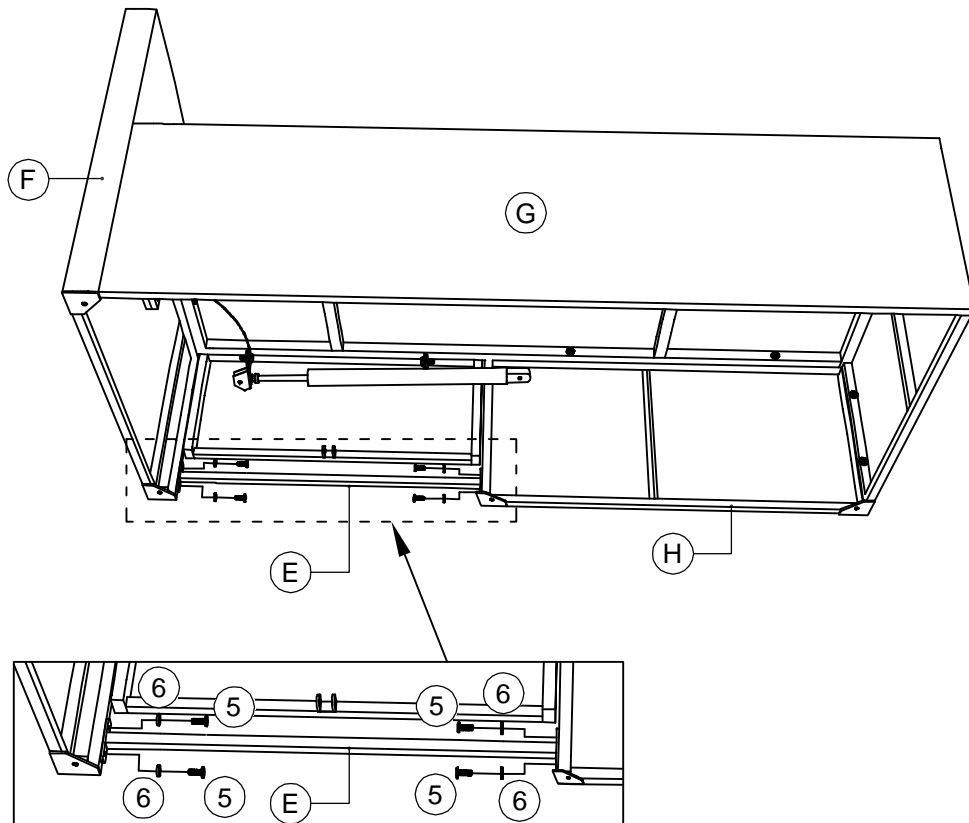
3

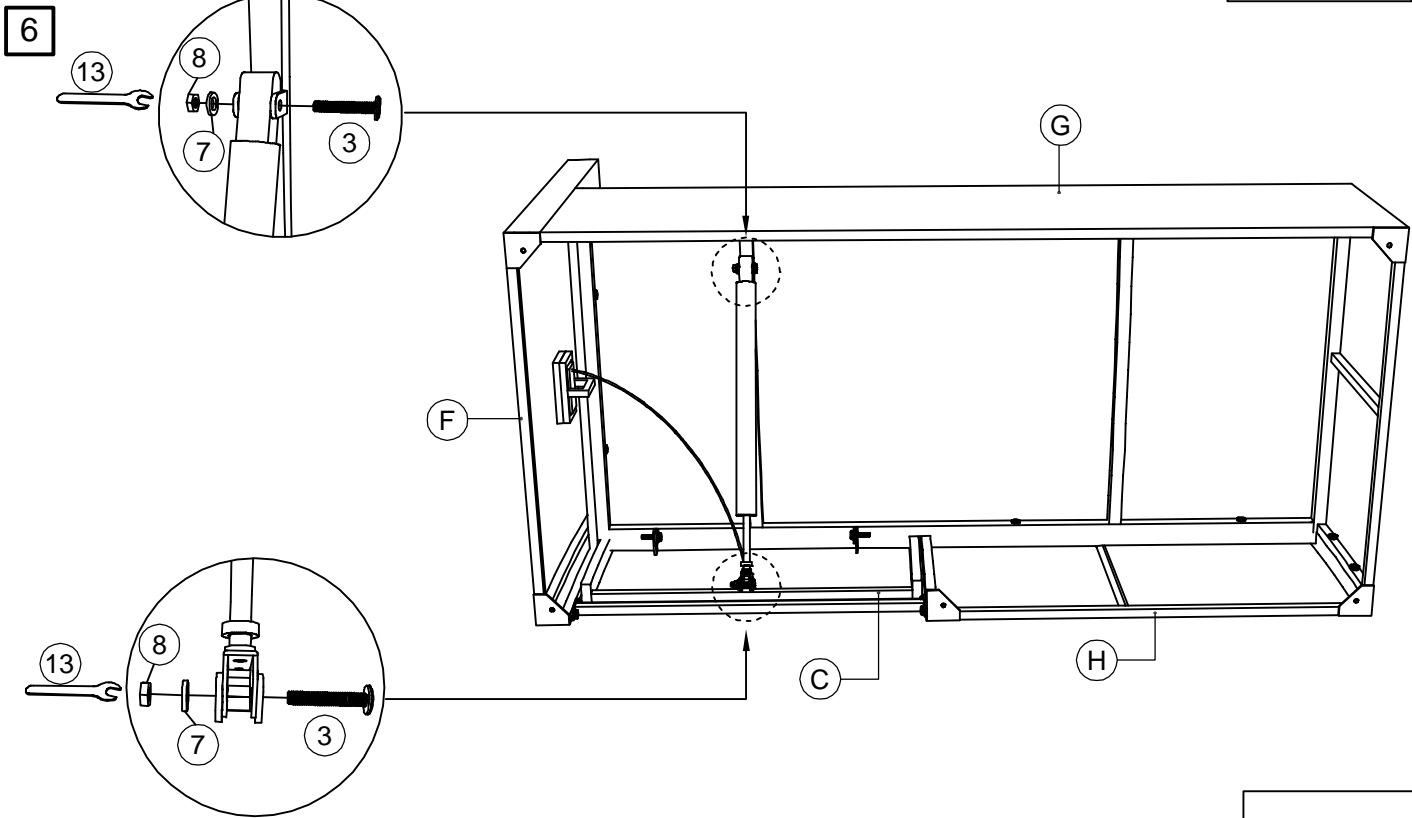


4

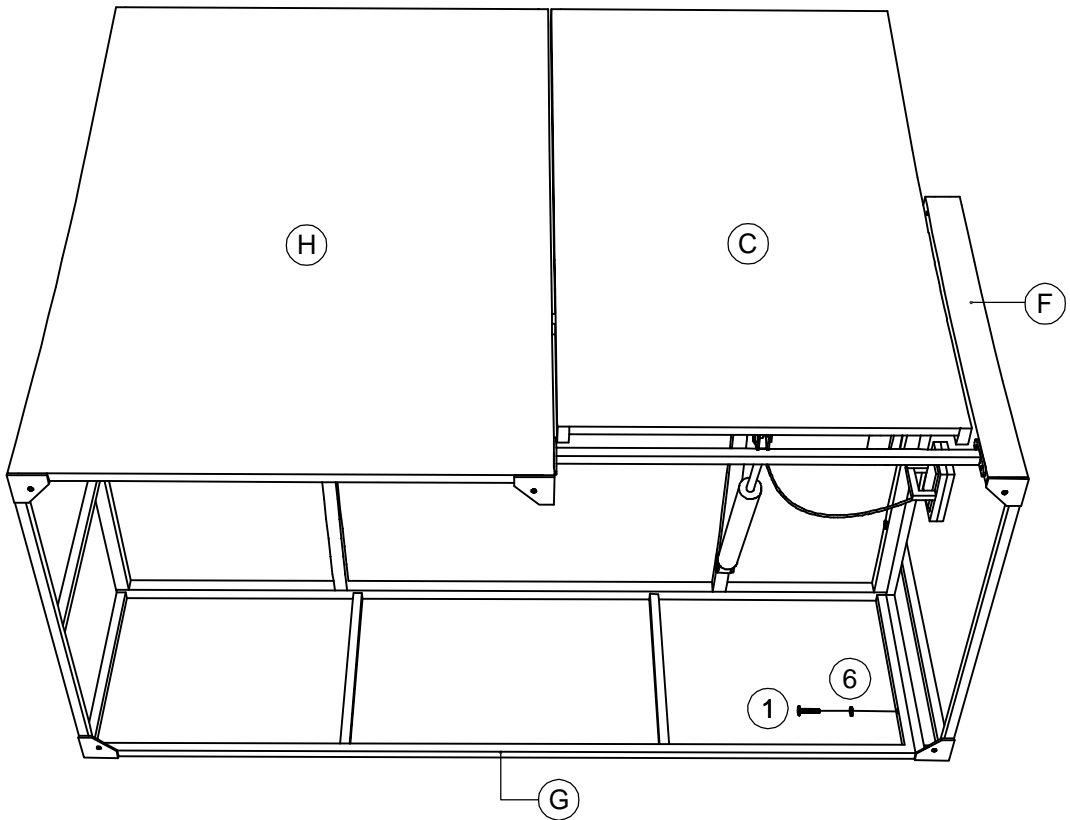


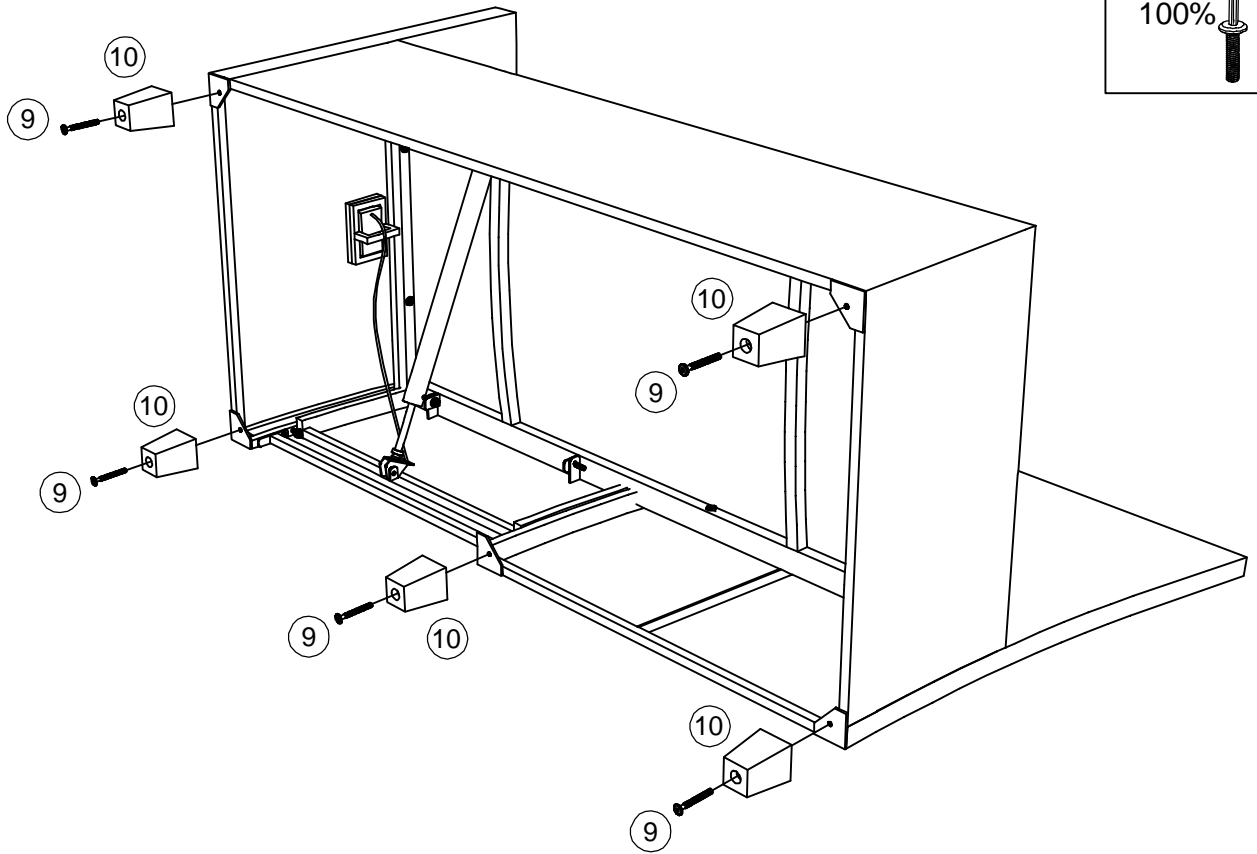
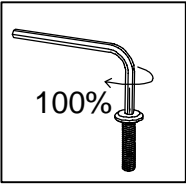
5



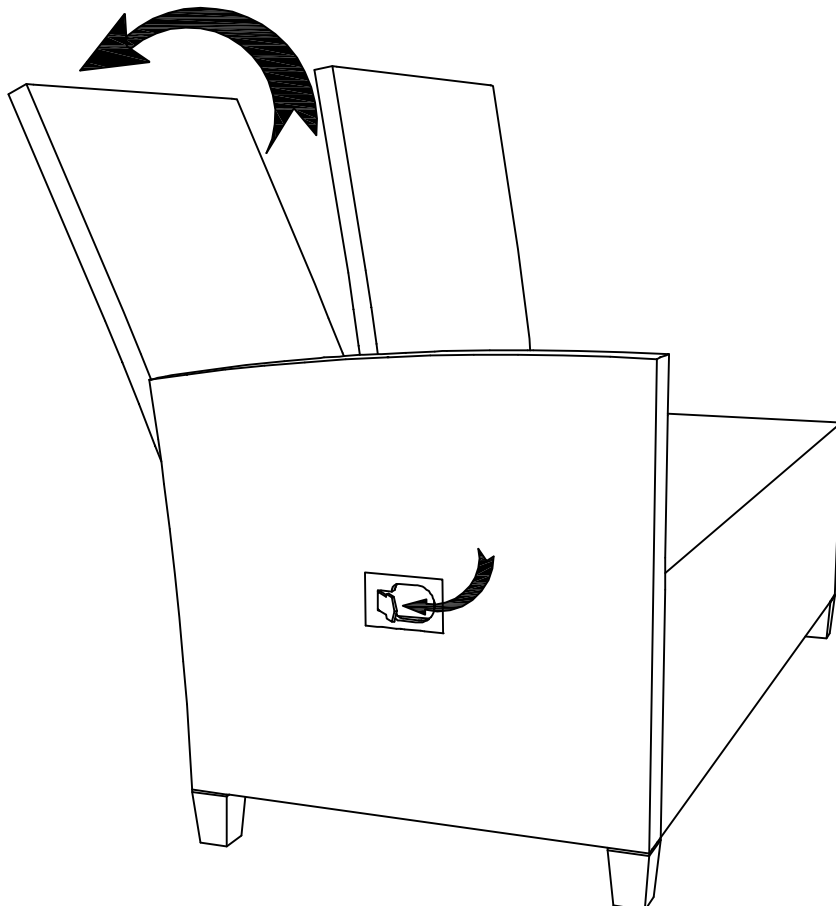


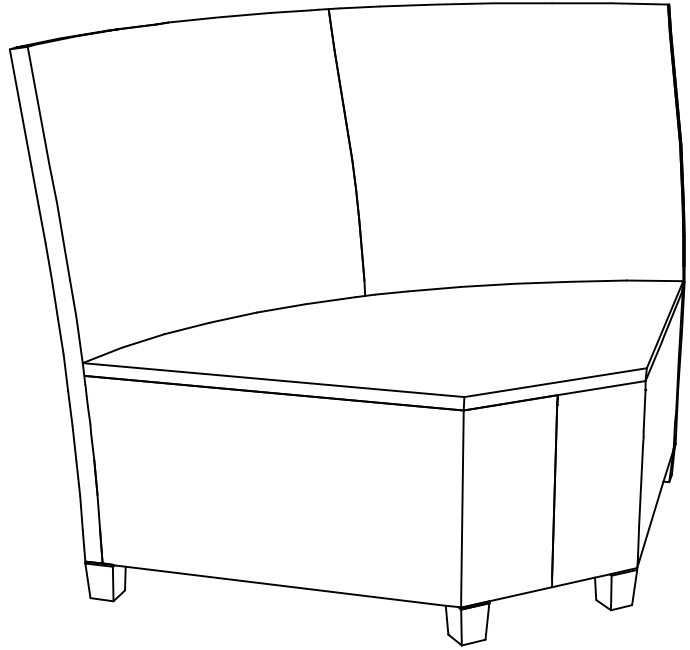
7

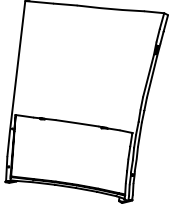
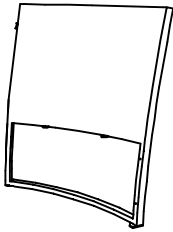
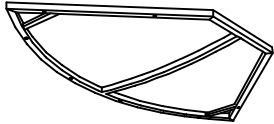
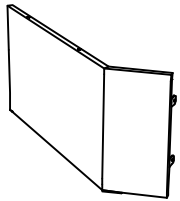
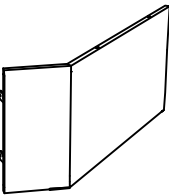
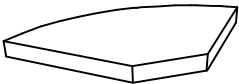
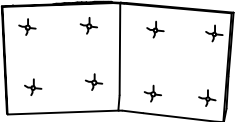



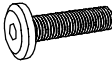

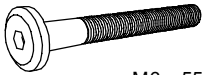
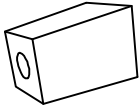
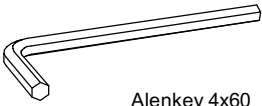
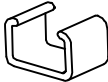


(I)

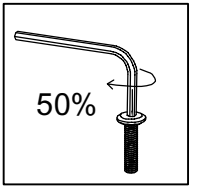
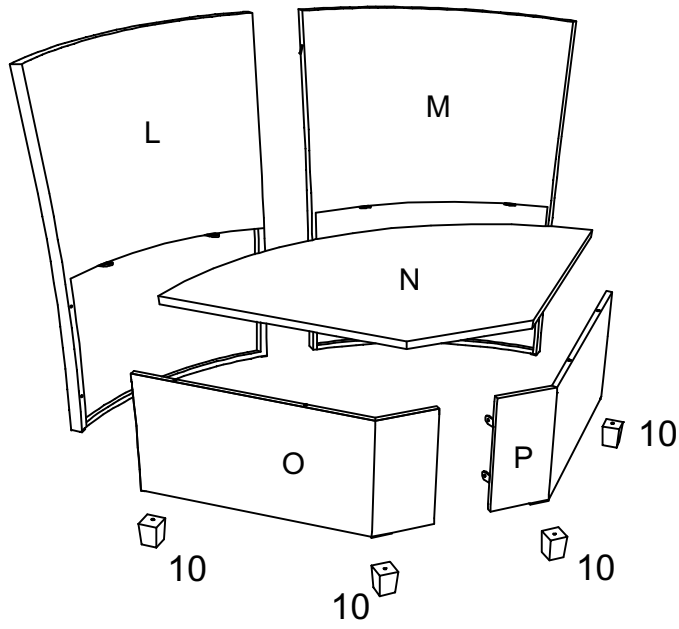




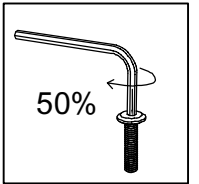
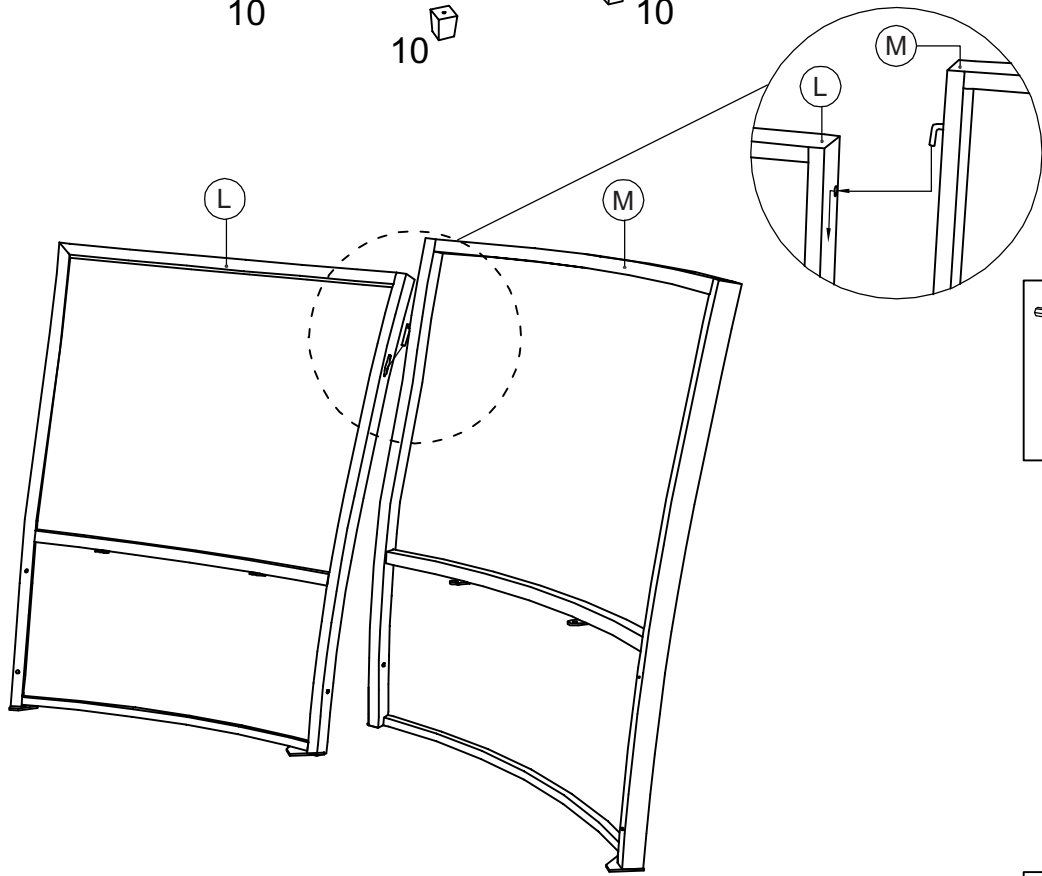
L		1 PC
M		1 PC
N		1 PC
O		1 PC
P		1 PC
Q		1 PC
J		1 PC

1	 M6 x 35	9 PCS
5	 M6 x 20	6 PCS
6	 Ø6 x 14	9 PCS
9	 M6 x 55	5 PCS
10		5 PCS
11	 Allenkey 4x60	1 PC
13		4 PCS

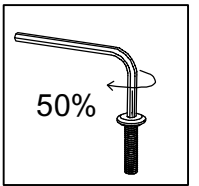
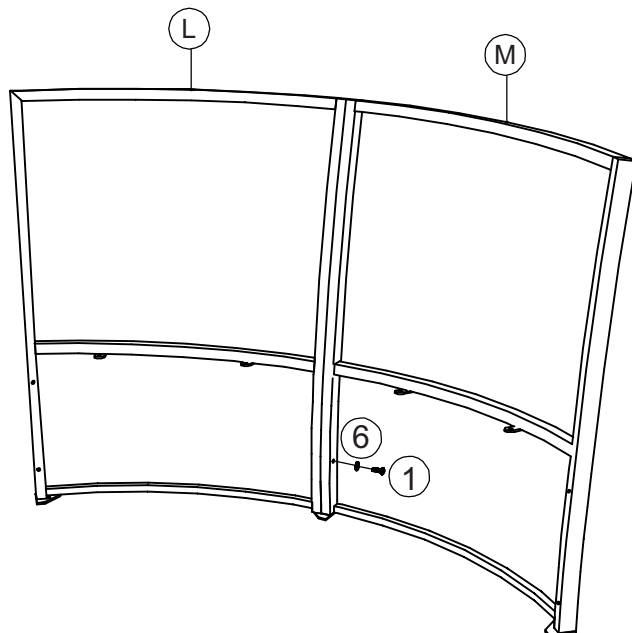
1



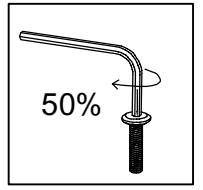
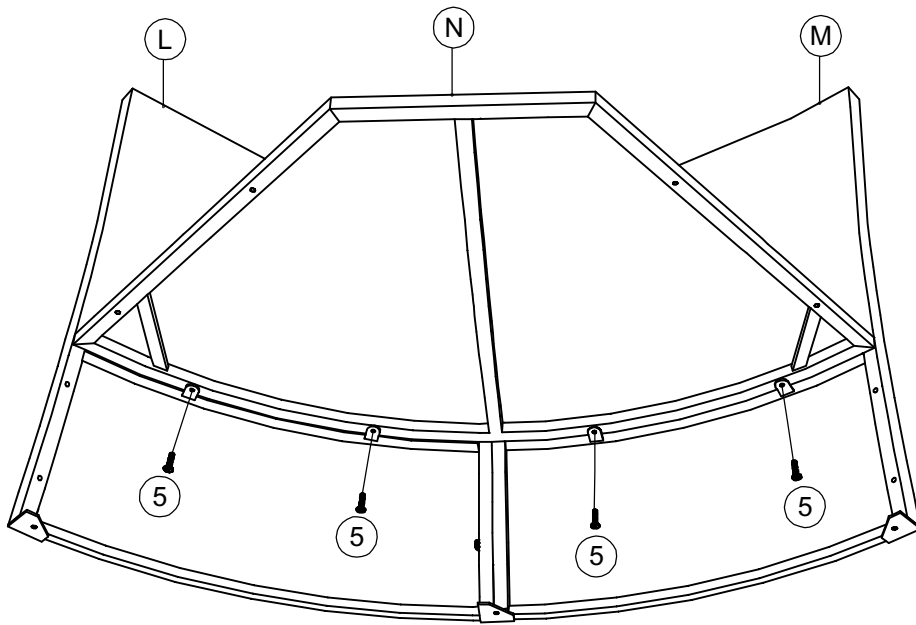
2



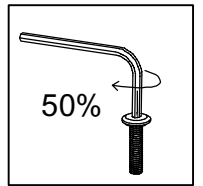
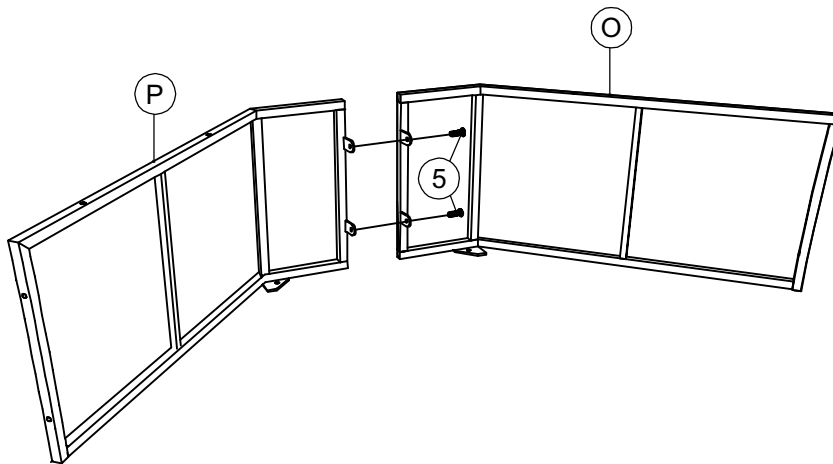
3



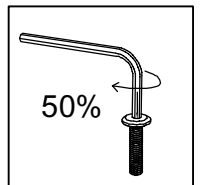
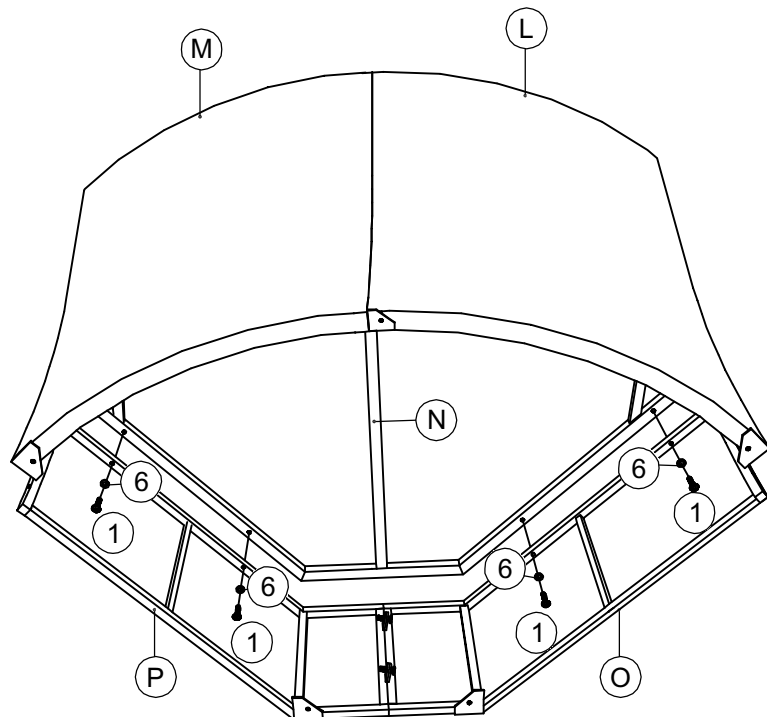
4



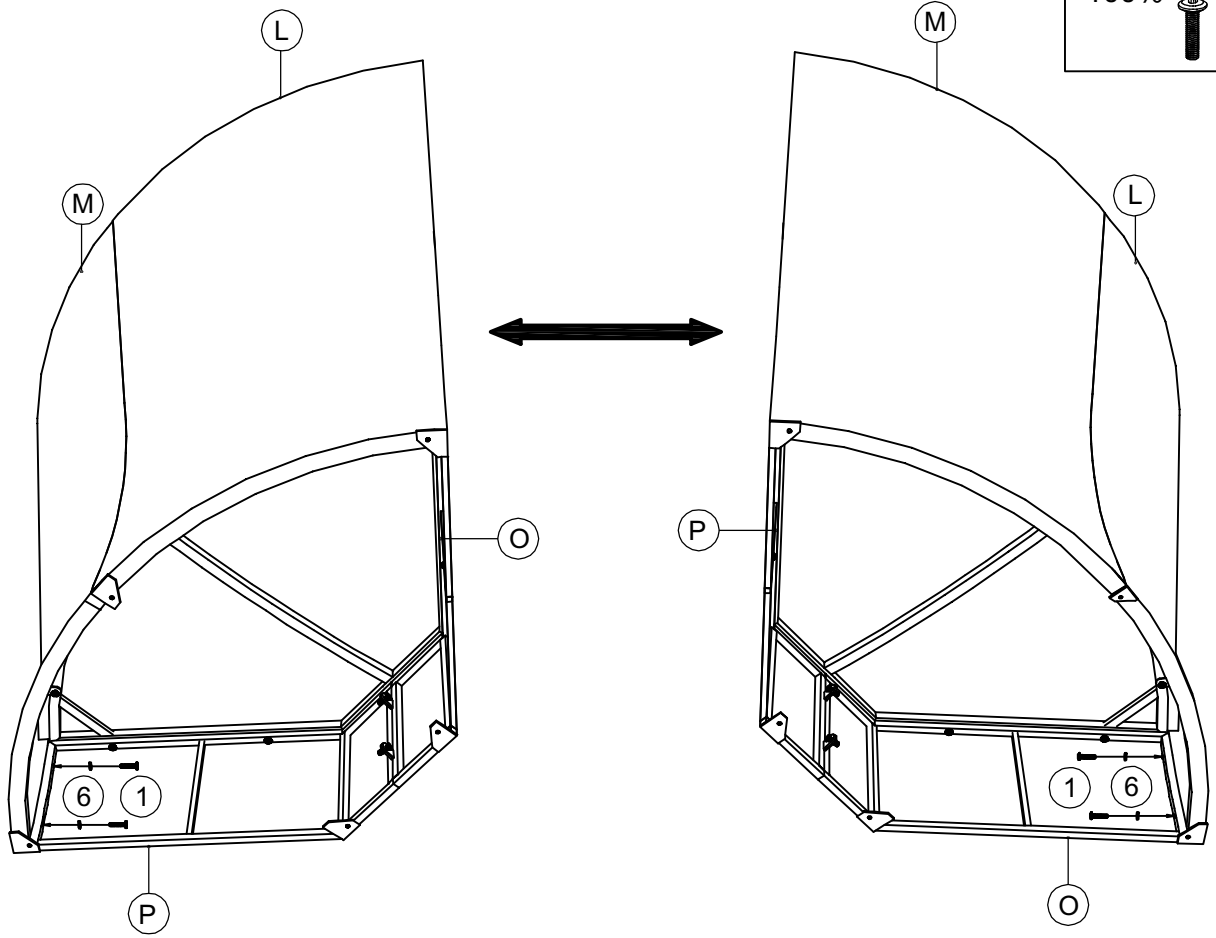
5



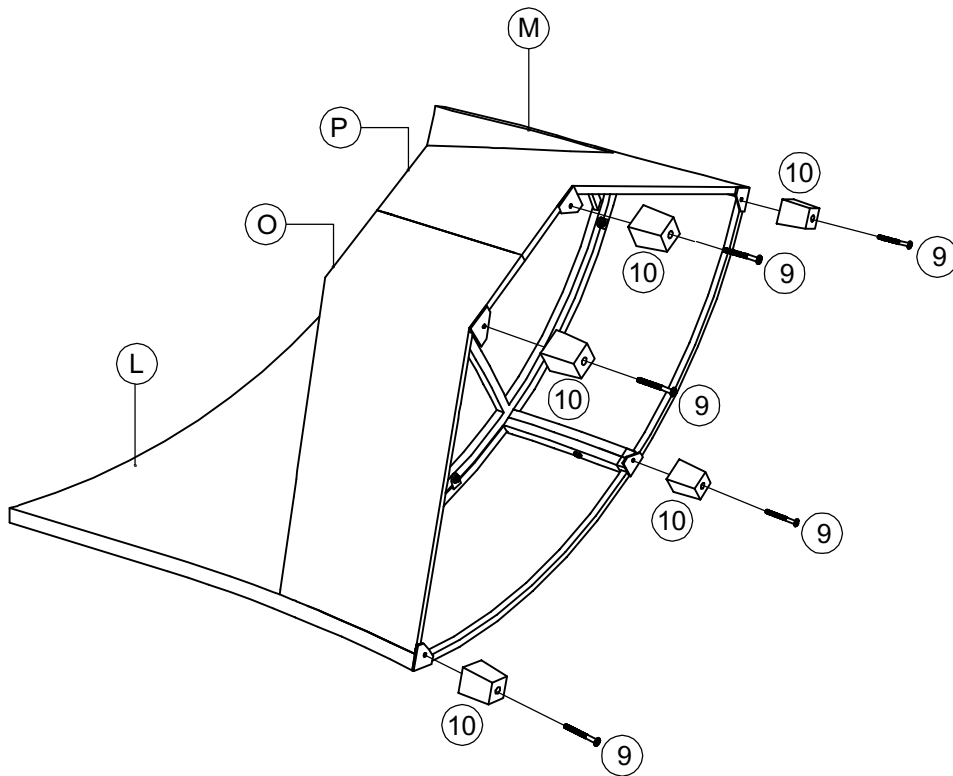
6



7

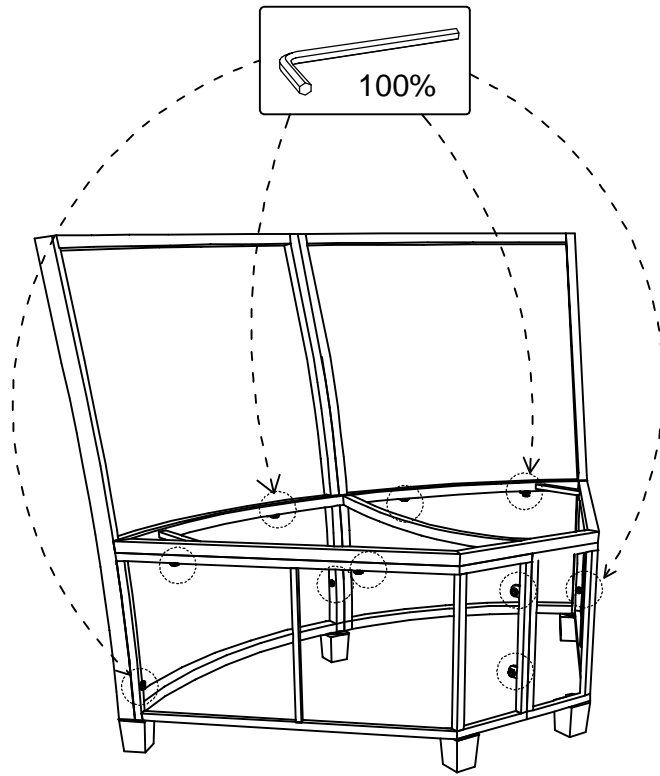


8

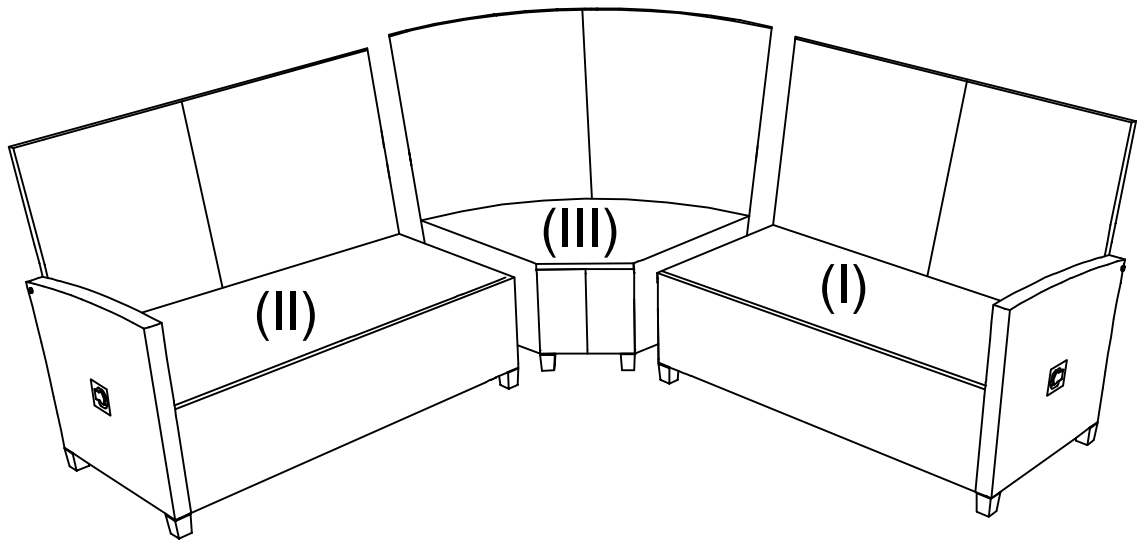


9

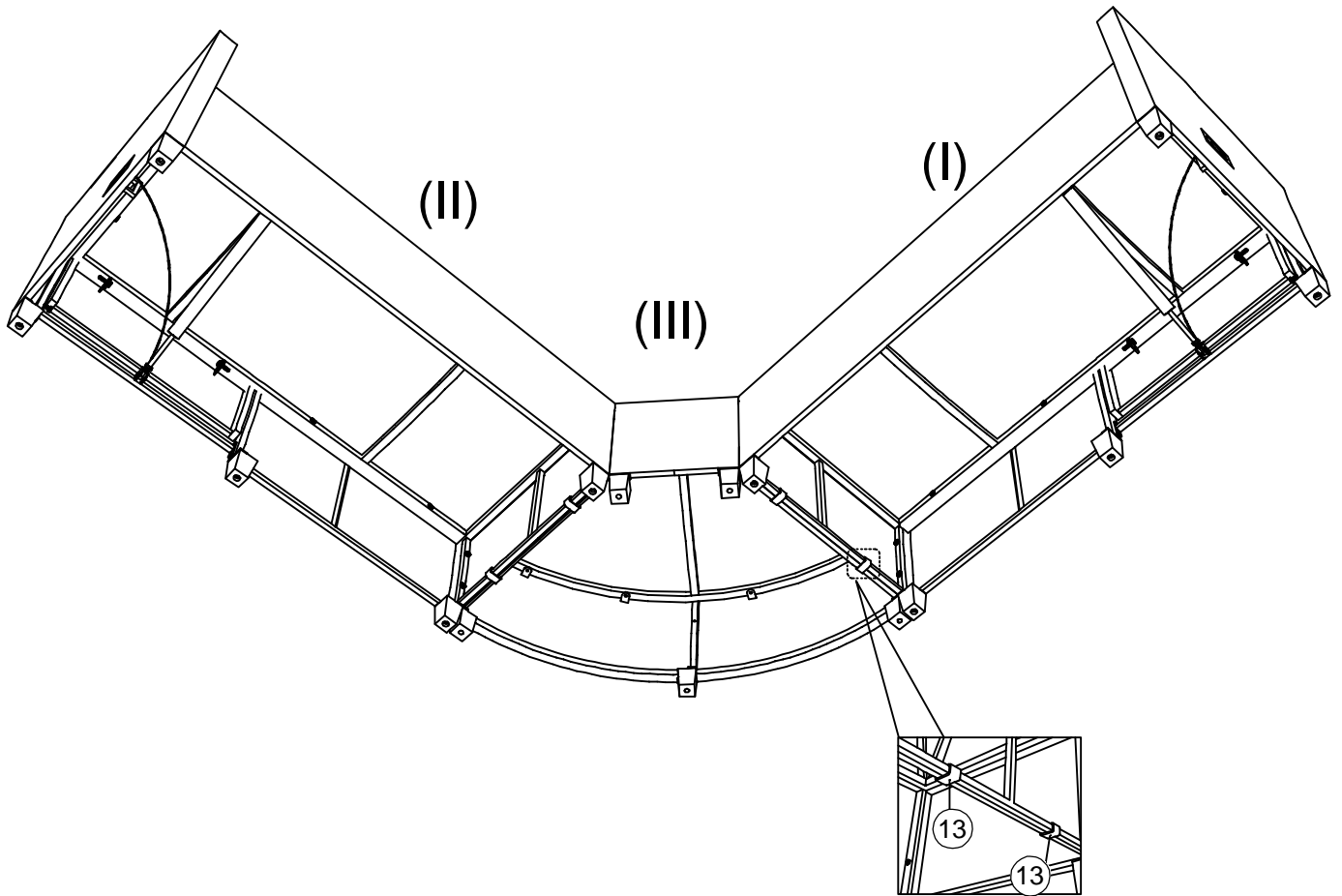
(III)



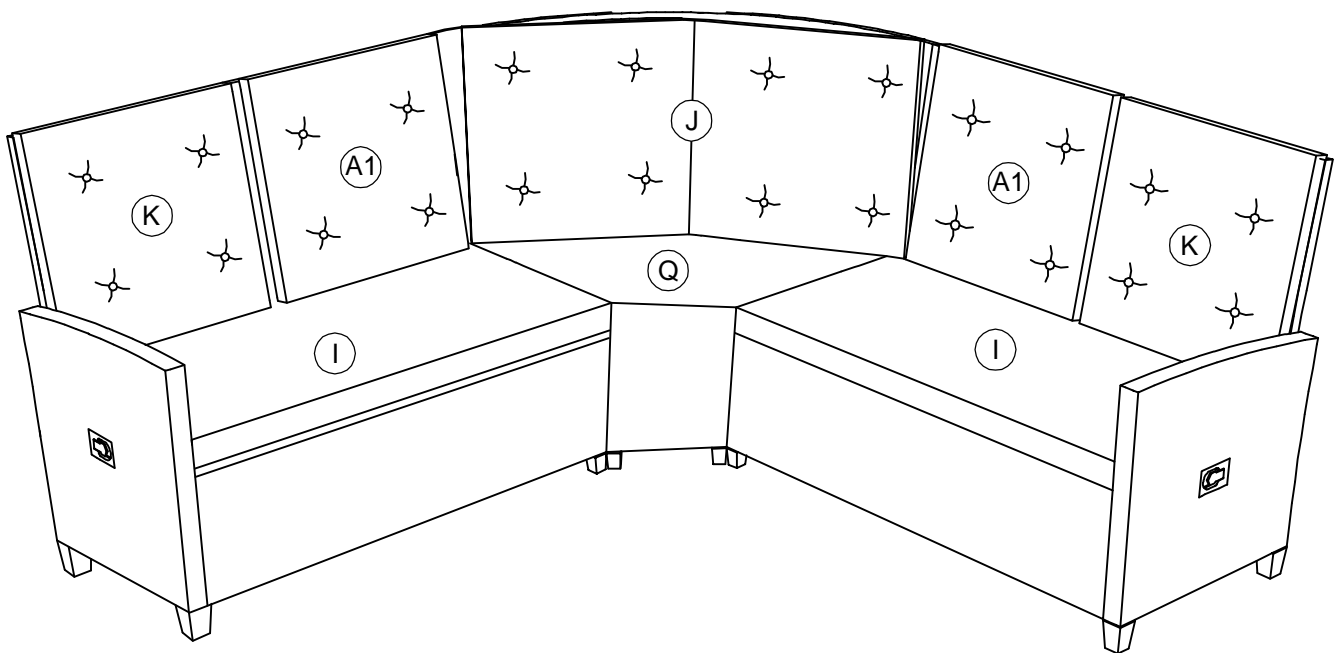
10

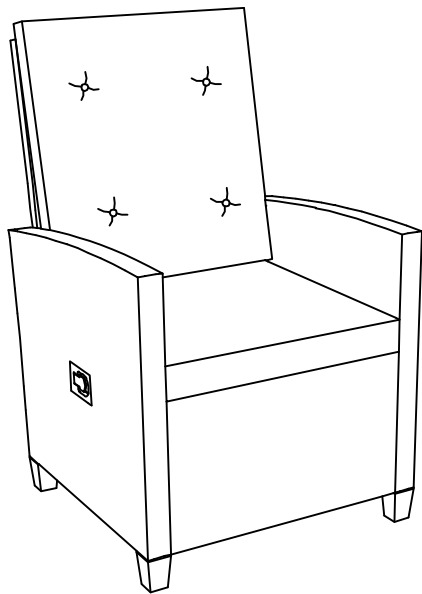


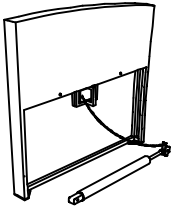
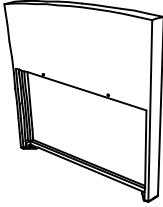
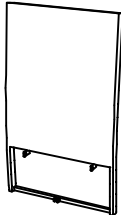
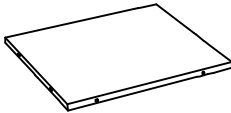
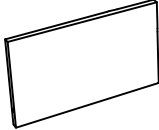

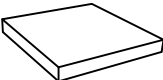
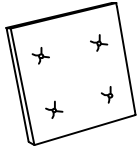
11



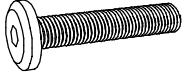





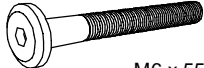
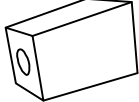
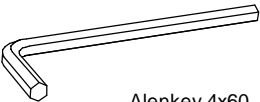



12

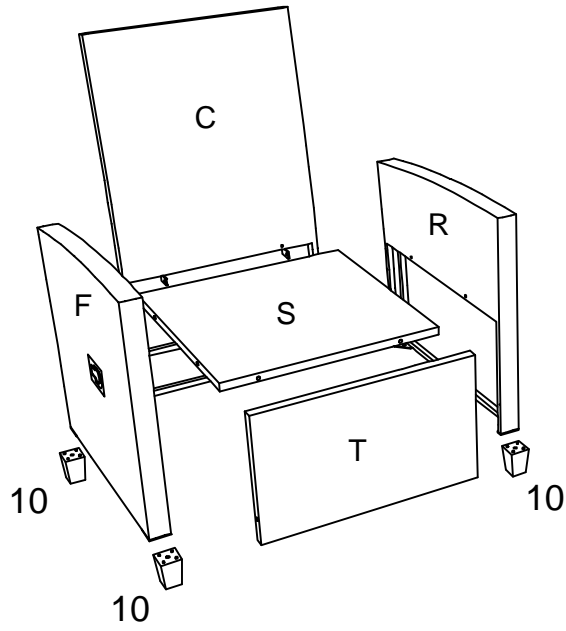




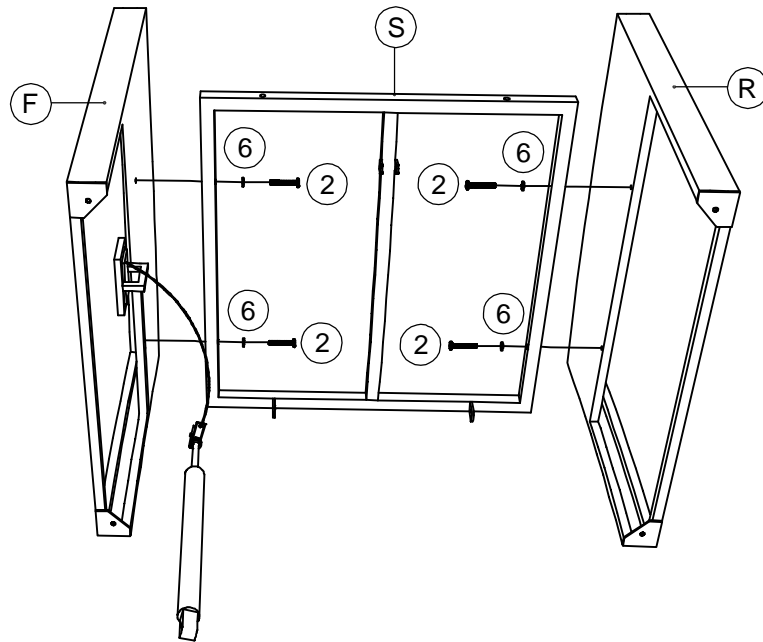
F		1 PC
R		1 PC
C		1 PC
S		1 PC
T		1 PC
E		1 PC
W		1 PC
K		1 PC

1	 M6 x 35	2 PCS
2	 M6 x 40	6 PCS
3	 M8 x 40	2 PCS
4	 M8 x 20	2 PCS
5	 M6 x 20	4 PCS
6	 Ø6 x 14	12 PCS
7	 Ø8 x 16	4 PCS
8	 Eru M8	4 PCS
9	 M6 x 55	4 PCS
10		4 PCS
11	 Alenkey 4x60	1 PC
12	 Spanner No.13	1 PC

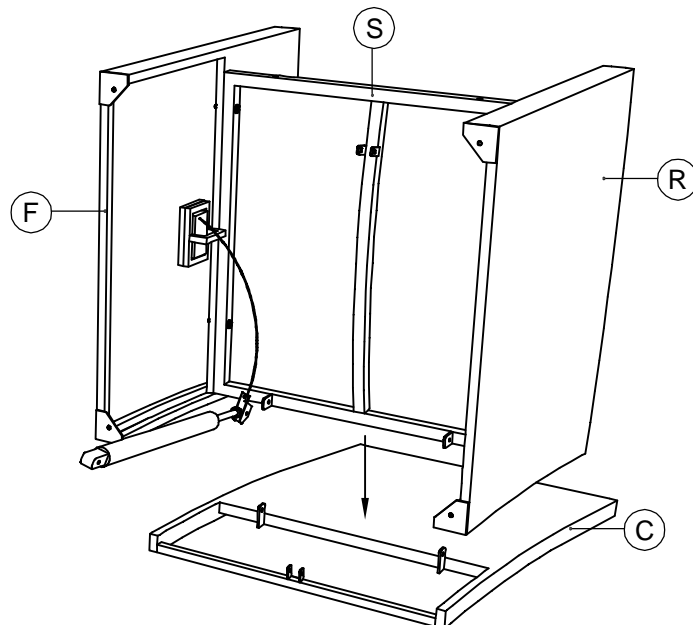
1



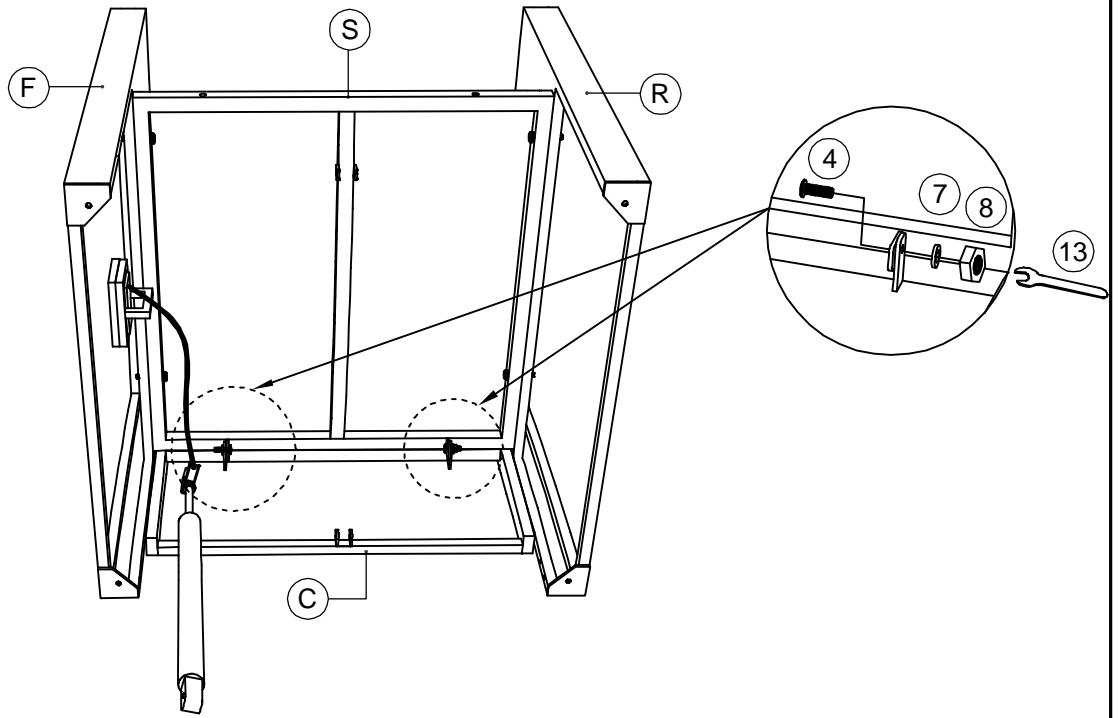
2



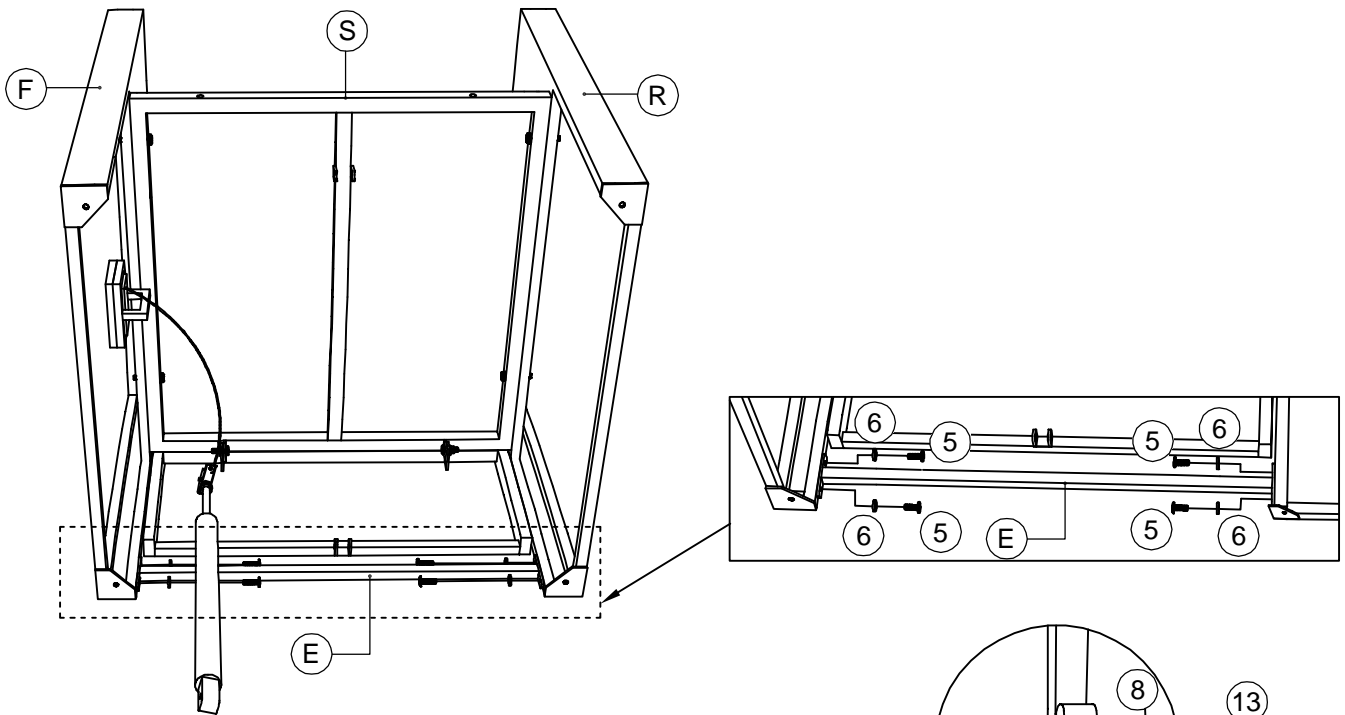
3



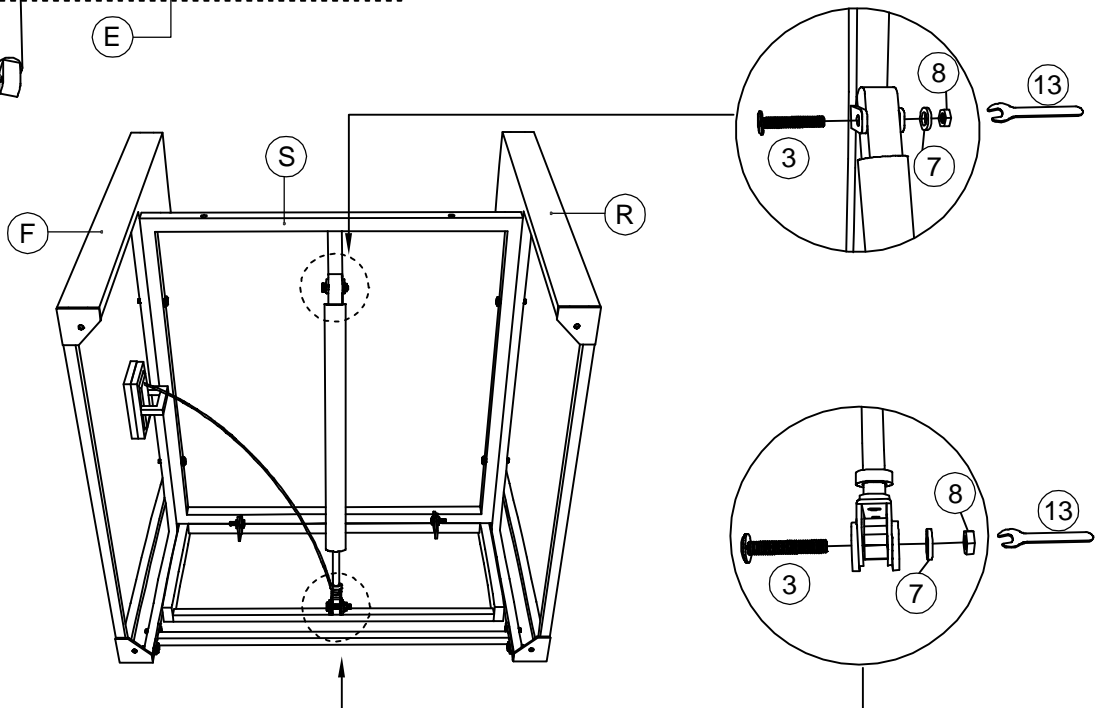
4



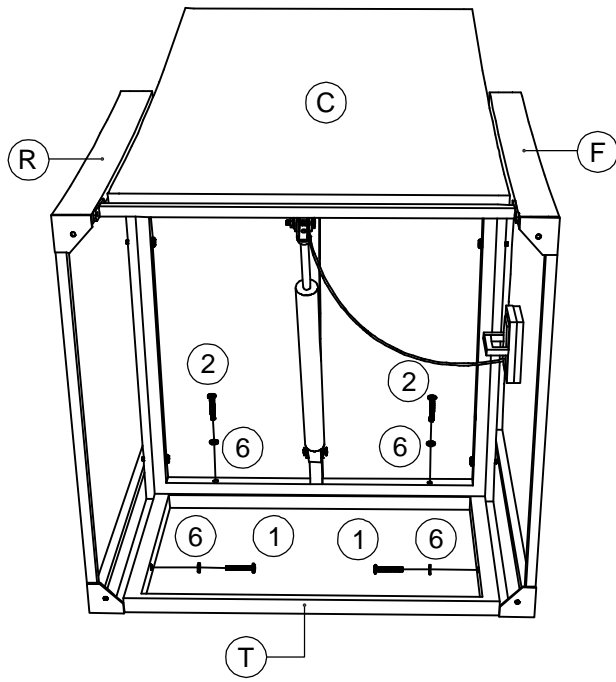
5



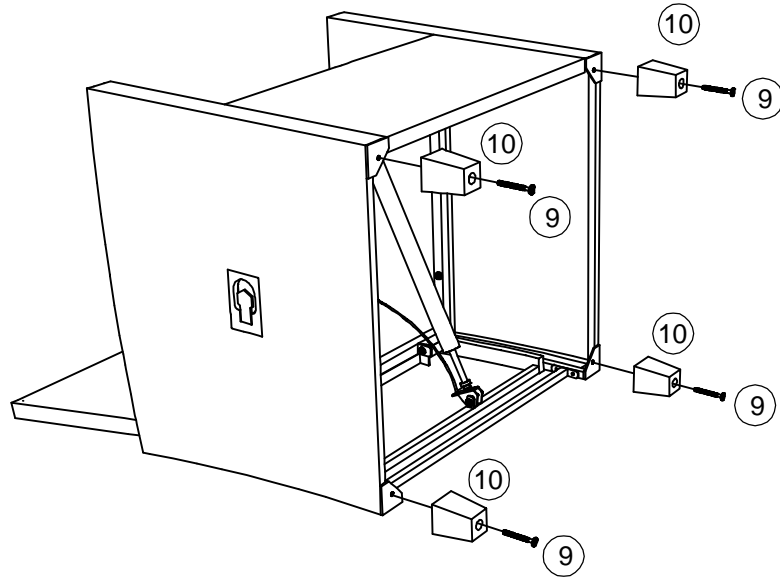
6



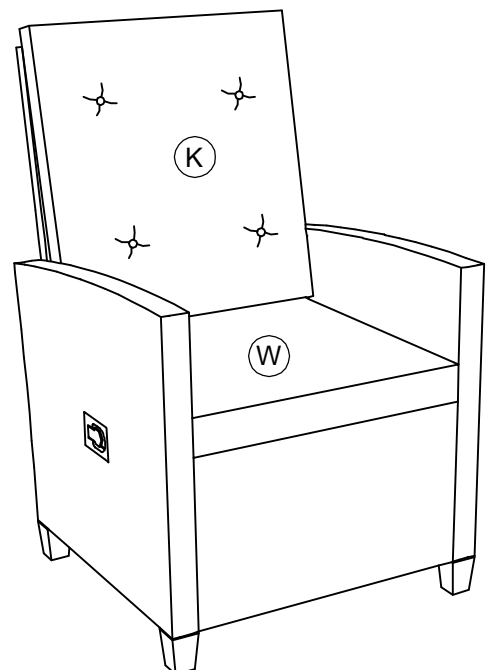
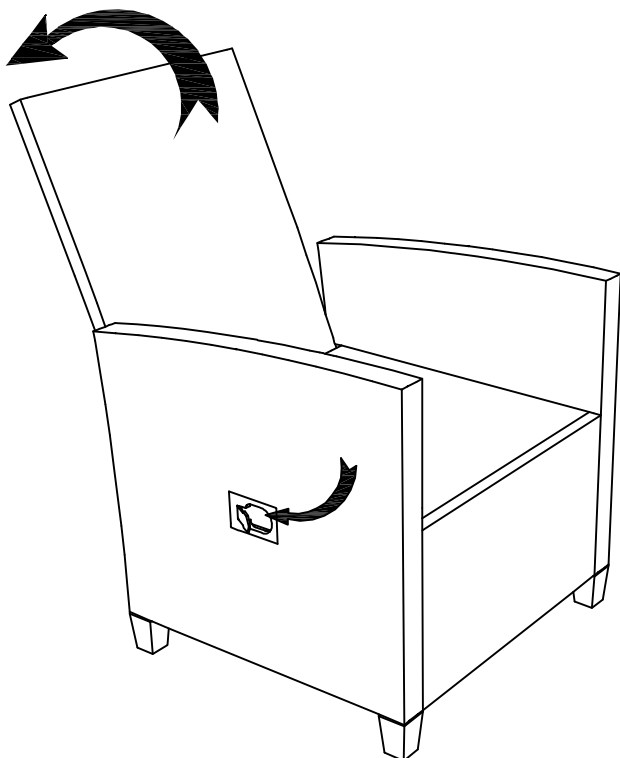
7

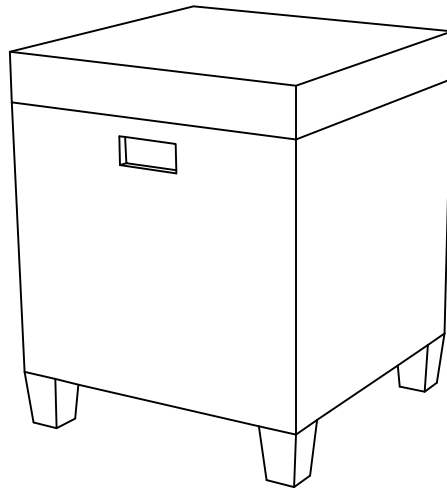


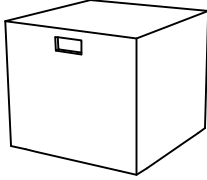
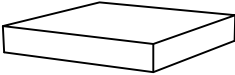
8

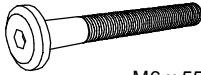
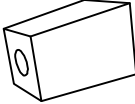
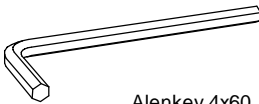


9

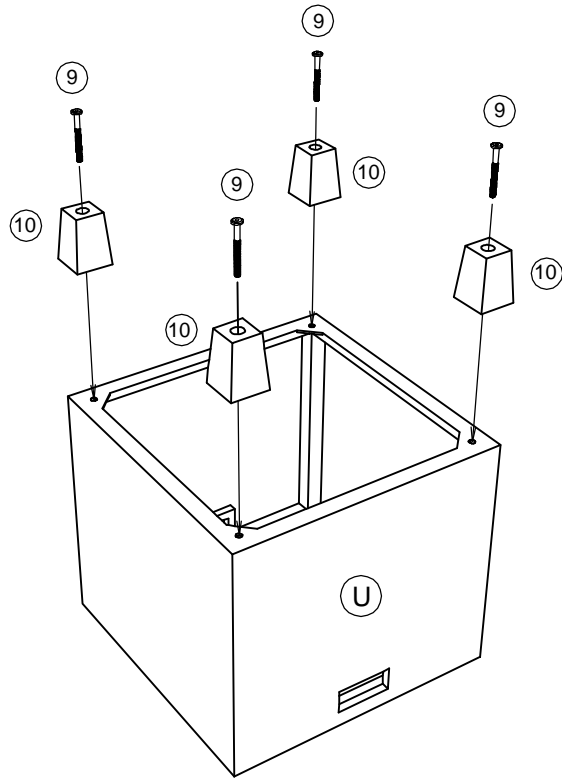




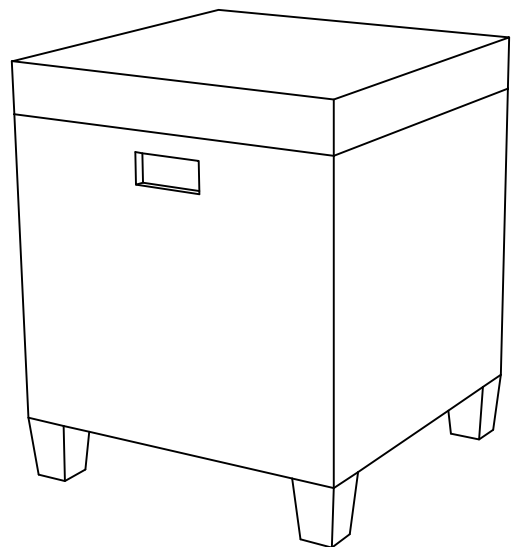
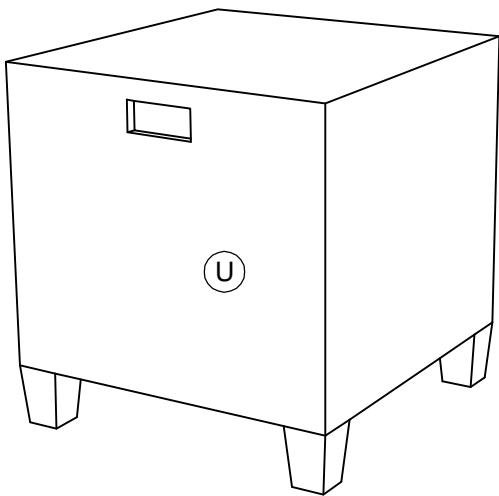
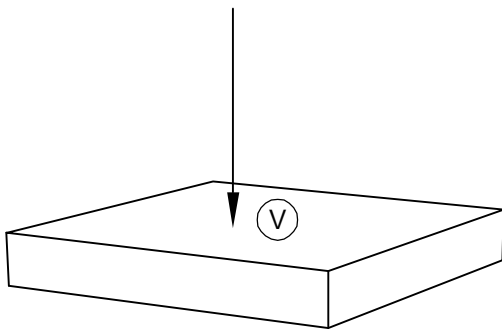
U		1 PC x 2
V		1 PC x 2

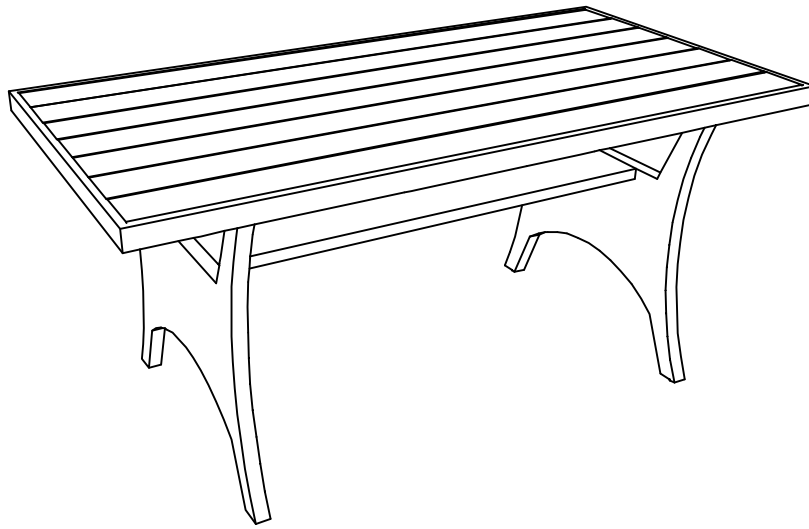
9	 M6 x 55	4 PCS x 2
10		4 PCS x 2
11	 Allenkey 4x60	1 PC

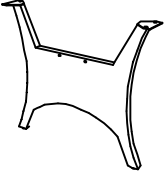
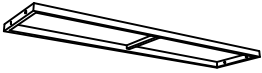

1





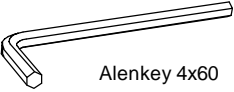


2

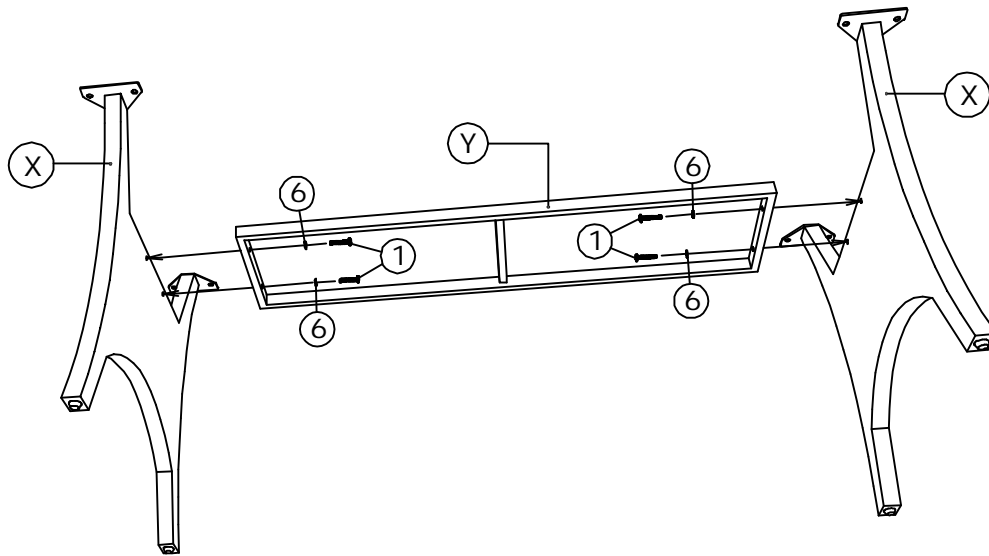
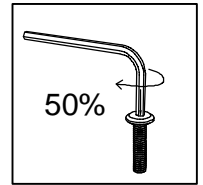




X		2 PCS
Y		1 PC
Z		1 PC

1	 M6x35 mm	4 PCS
4	 M8x20 mm	8 PCS
6	 Ø6 x 14 mm	4 PCS
7	 Ø8 x 16 mm	8 PCS
11	 Allenkey 4x60	1 PC

1



2

