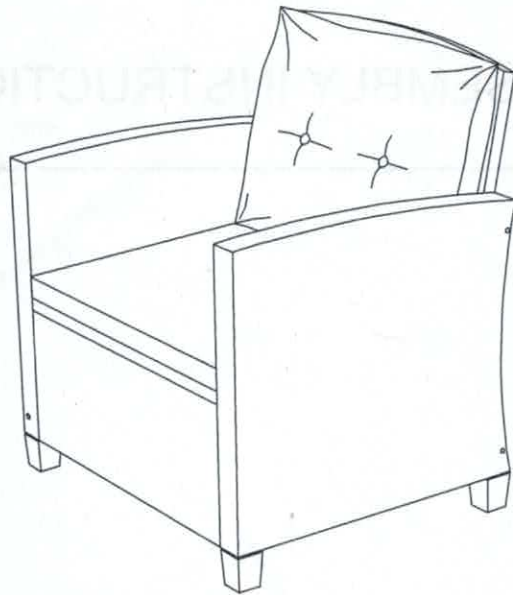



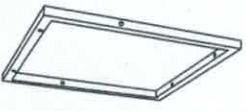
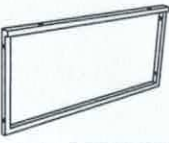

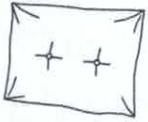





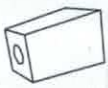



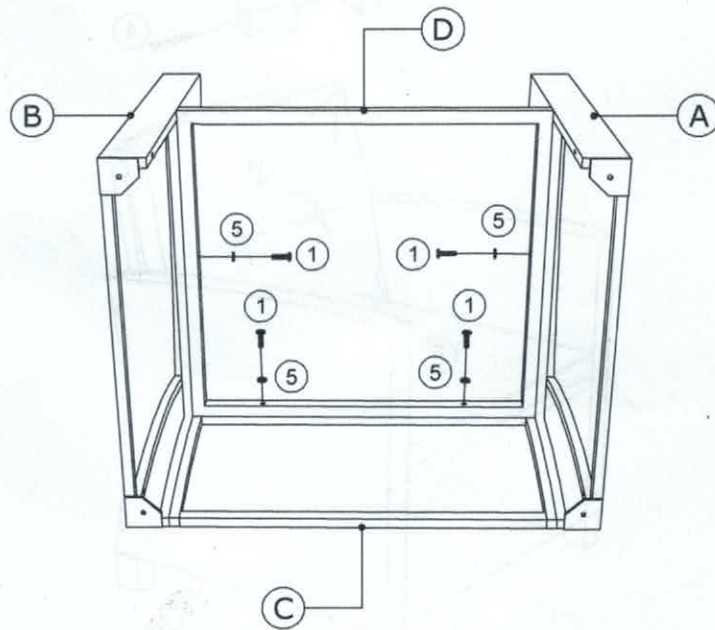
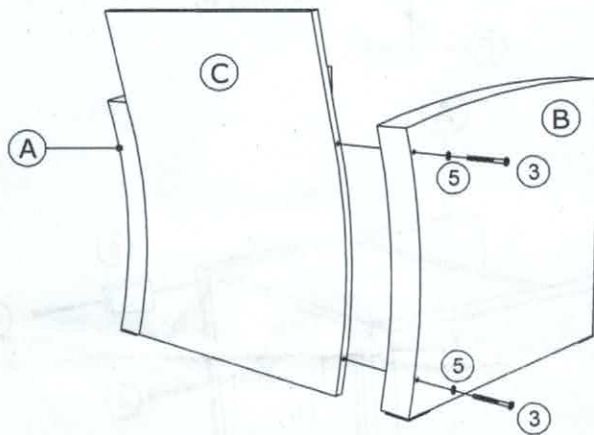
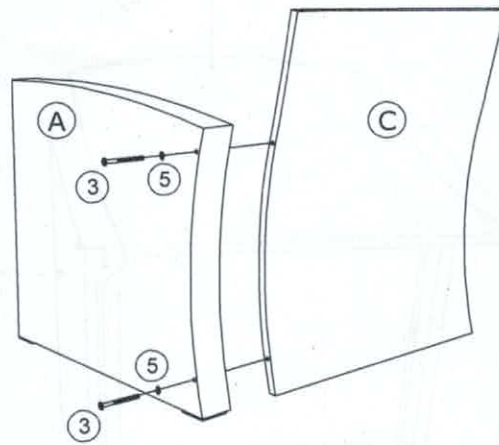
ASSEMBLY INSTRUCTION

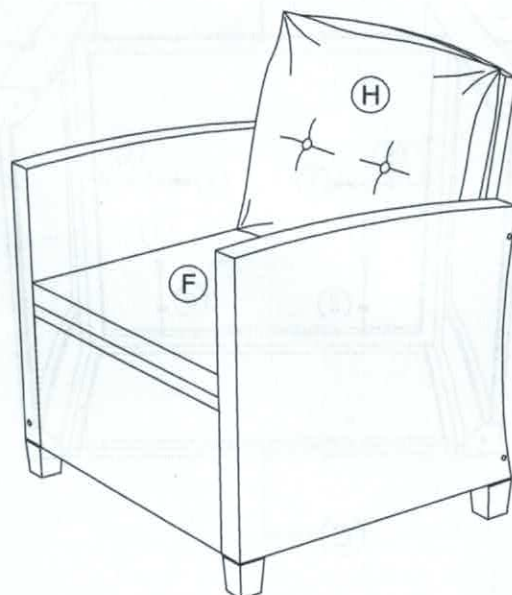
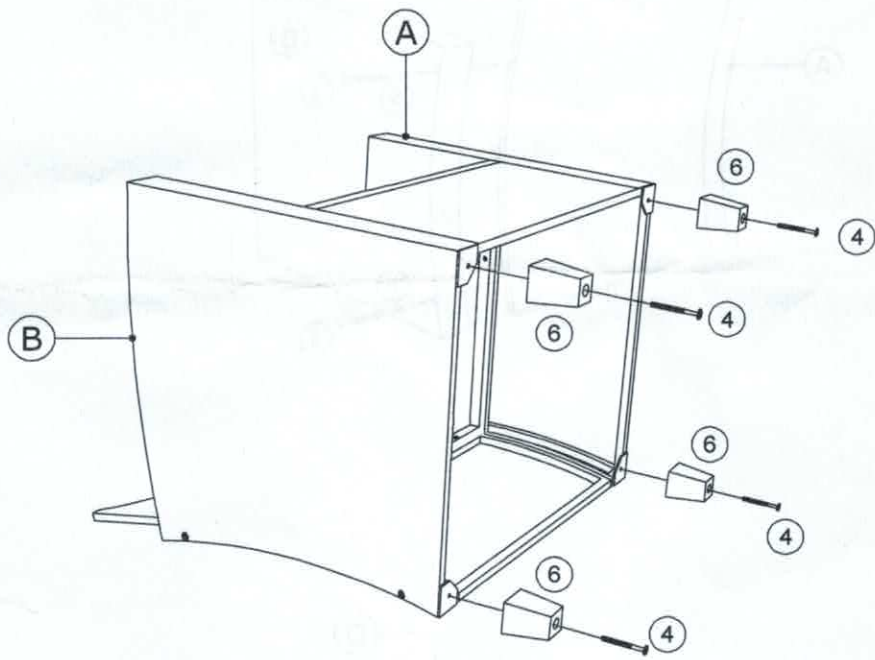
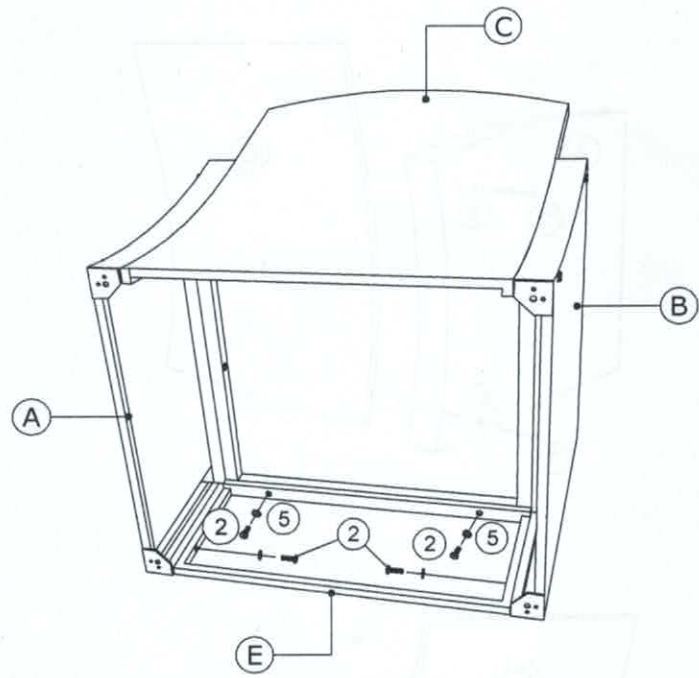


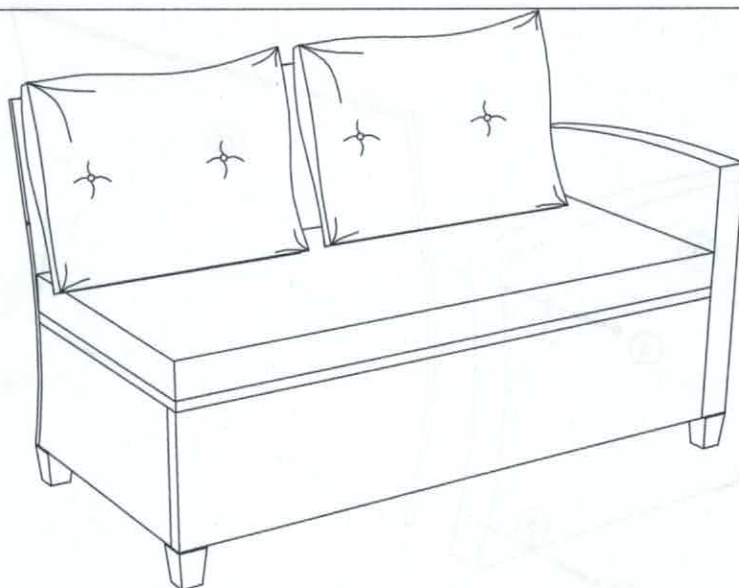




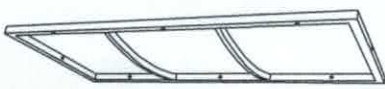
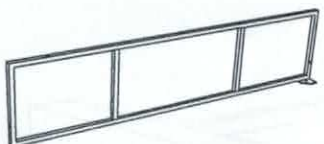
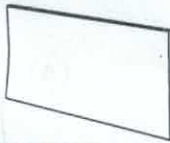
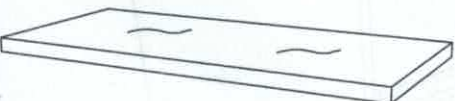
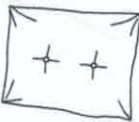
A		1 PC
B		1 PC
C		1 PC
D		1 PC
E		1 PC
F		1 PC
H		1 PC






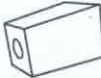

1	 M6x40 mm	4 PCS
2	 M6x35 mm	4 PCS
3	 M6x70 mm	4 PCS
4	 M6x55 mm	4 PCS
5	 Ø6 x 14 mm	12 PCS
6		4 PCS
9	 Allenkey 4 x 60	1 PC

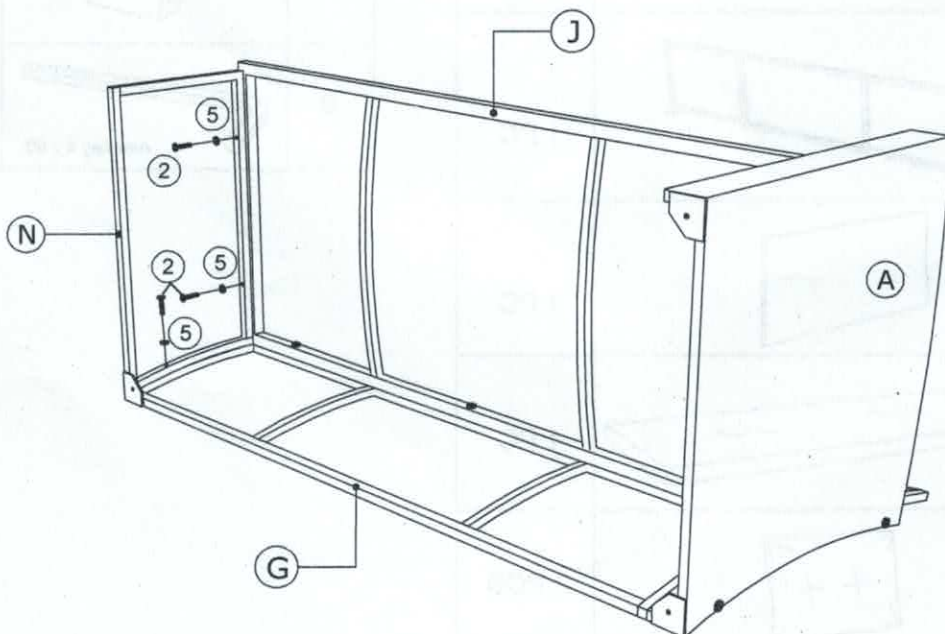
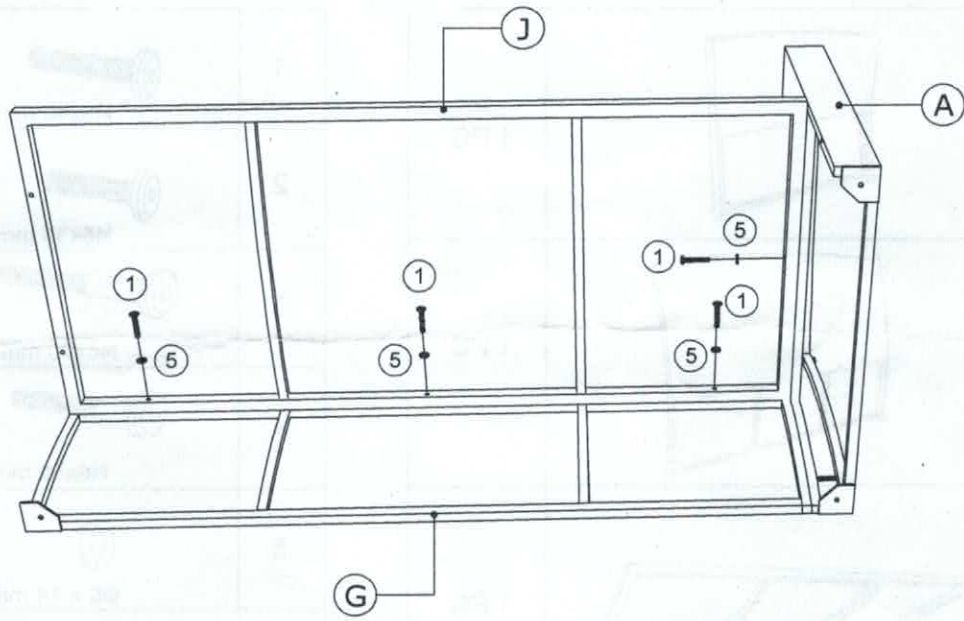
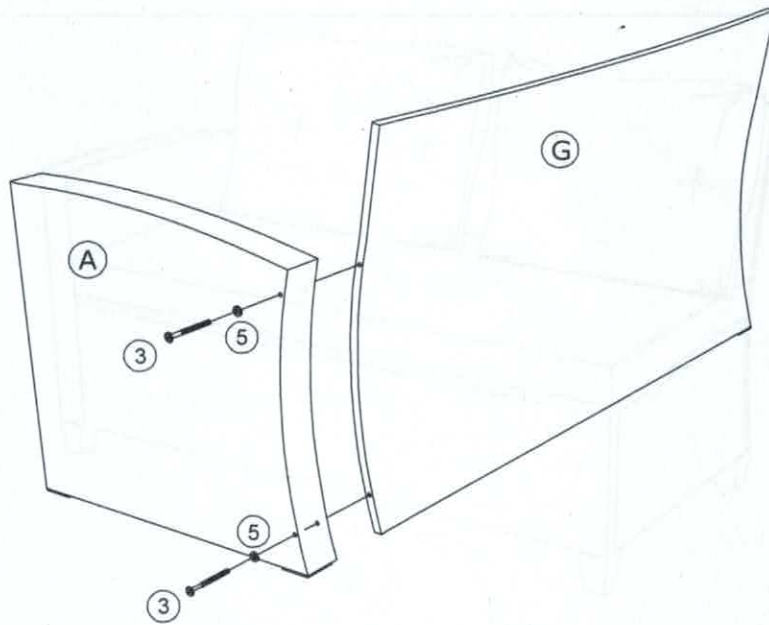


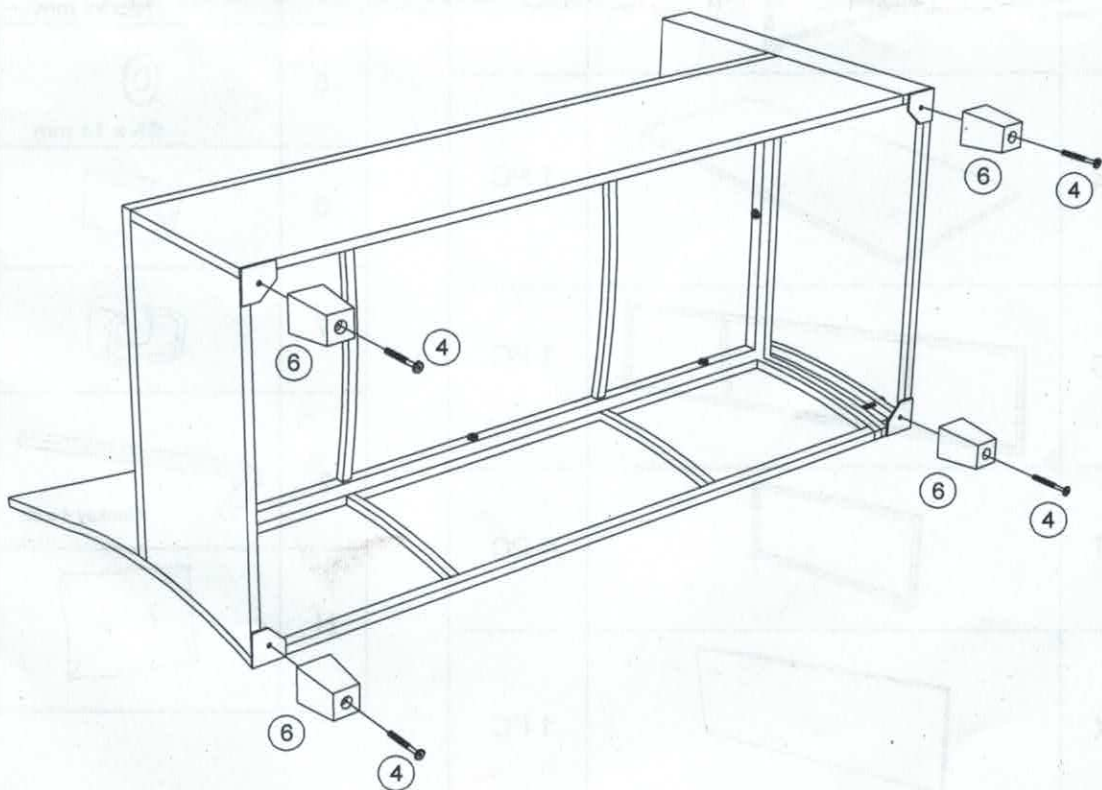
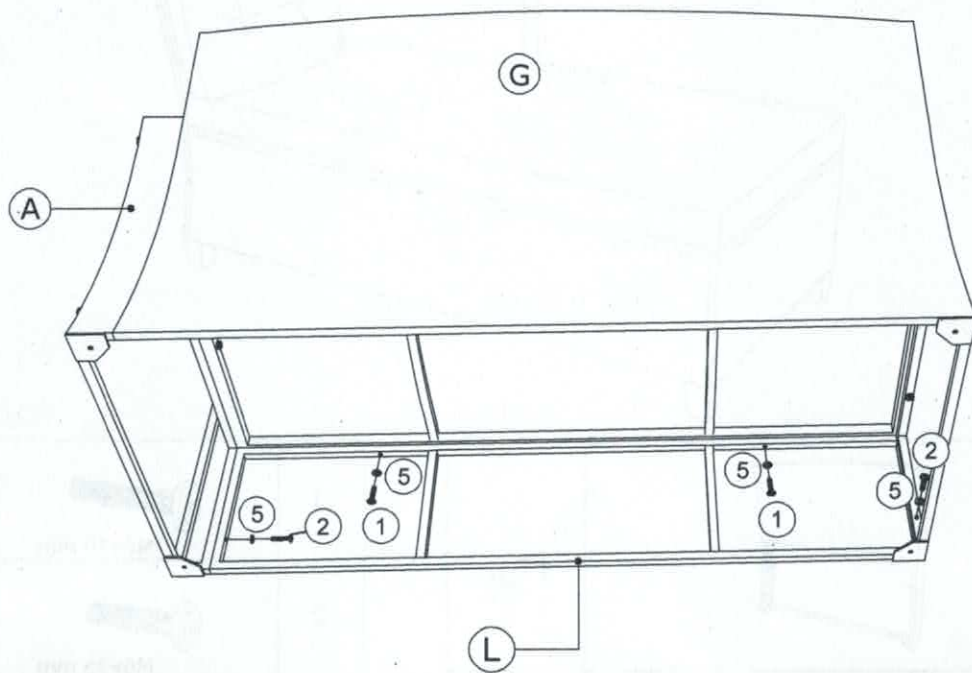






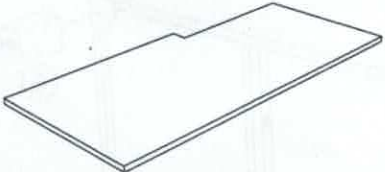
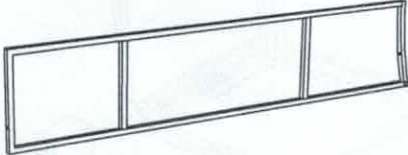
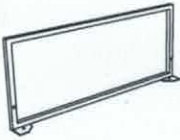

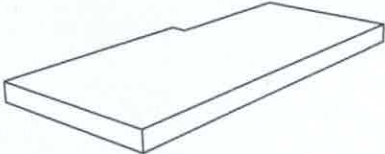
A		1 PC
G		1 PC
J		1 PC
L		1 PC
N		1 PC
M		1 PC
H		2 PCS






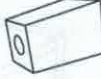


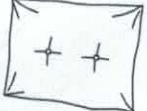
1	 M6x40 mm	6 PCS
2	 M6x35 mm	5 PCS
3	 M6x70 mm	2 PCS
4	 M6x55 mm	4 PCS
5	 Ø6 x 14 mm	13 PCS
6		4 PCS
9	 Allenkey 4 x 60	1 PC

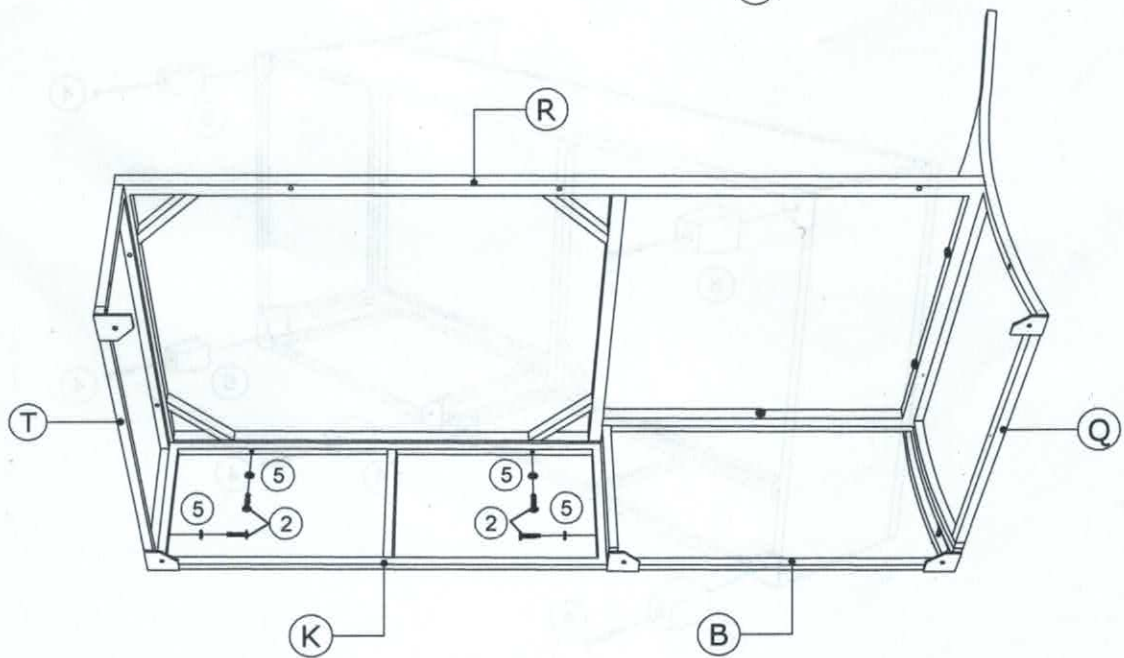
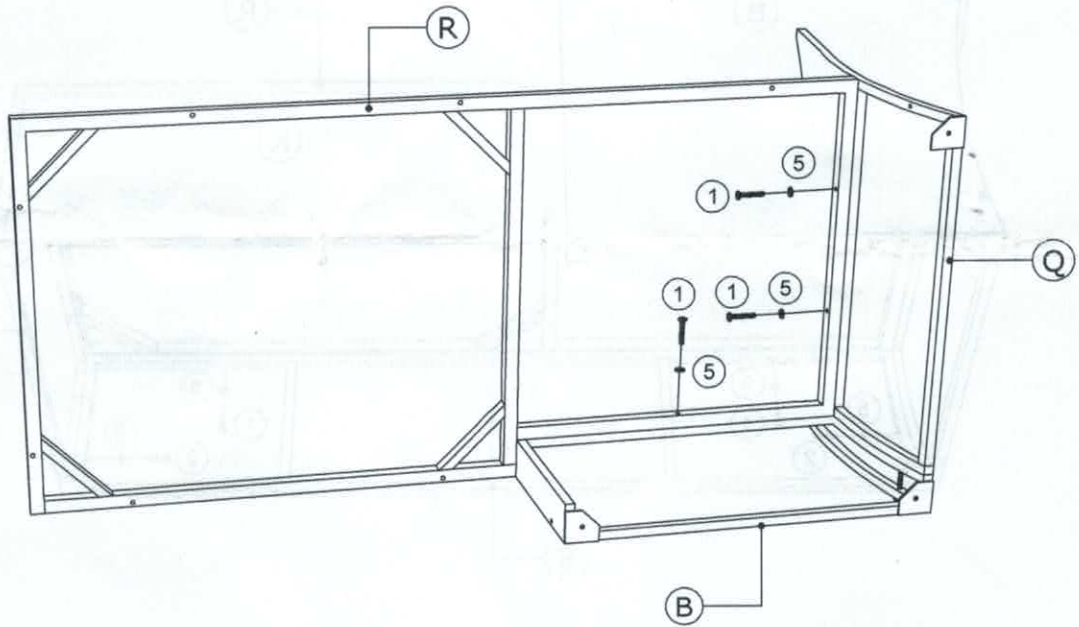
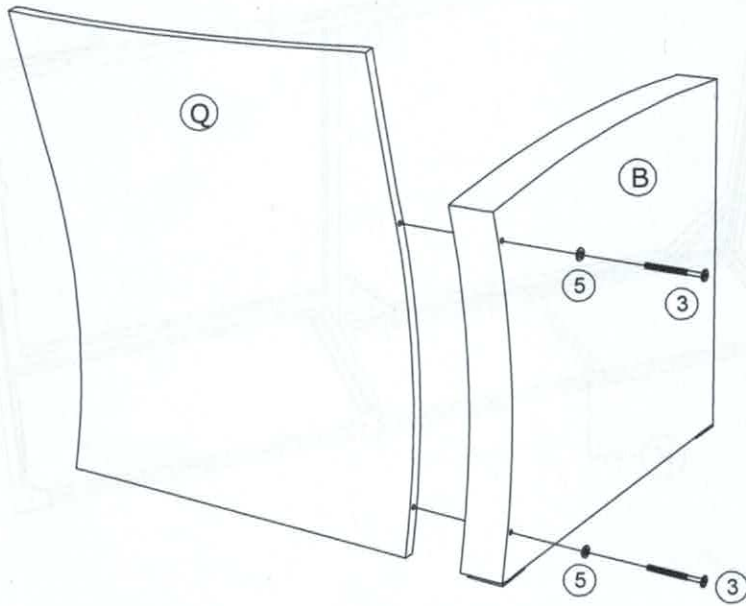


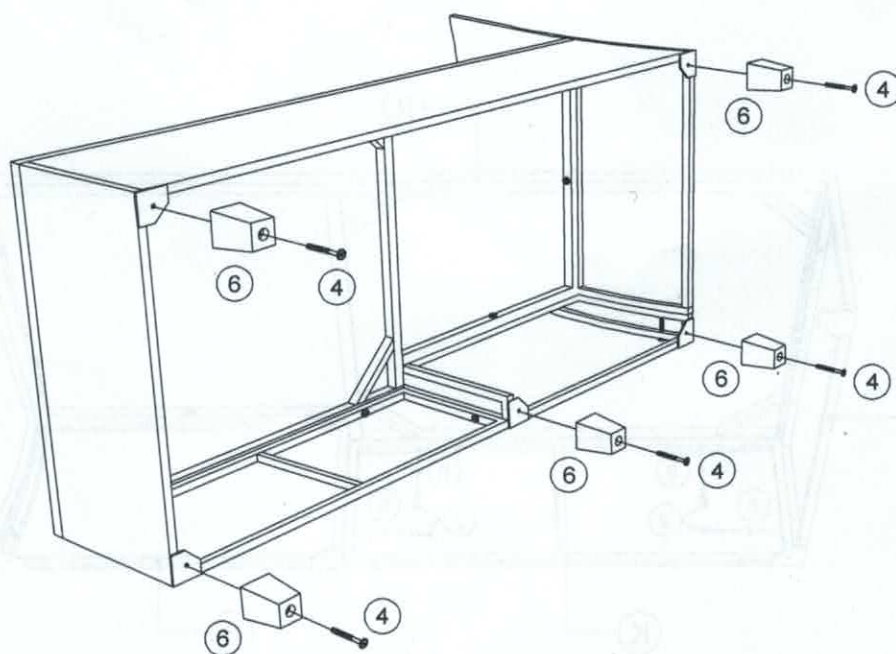
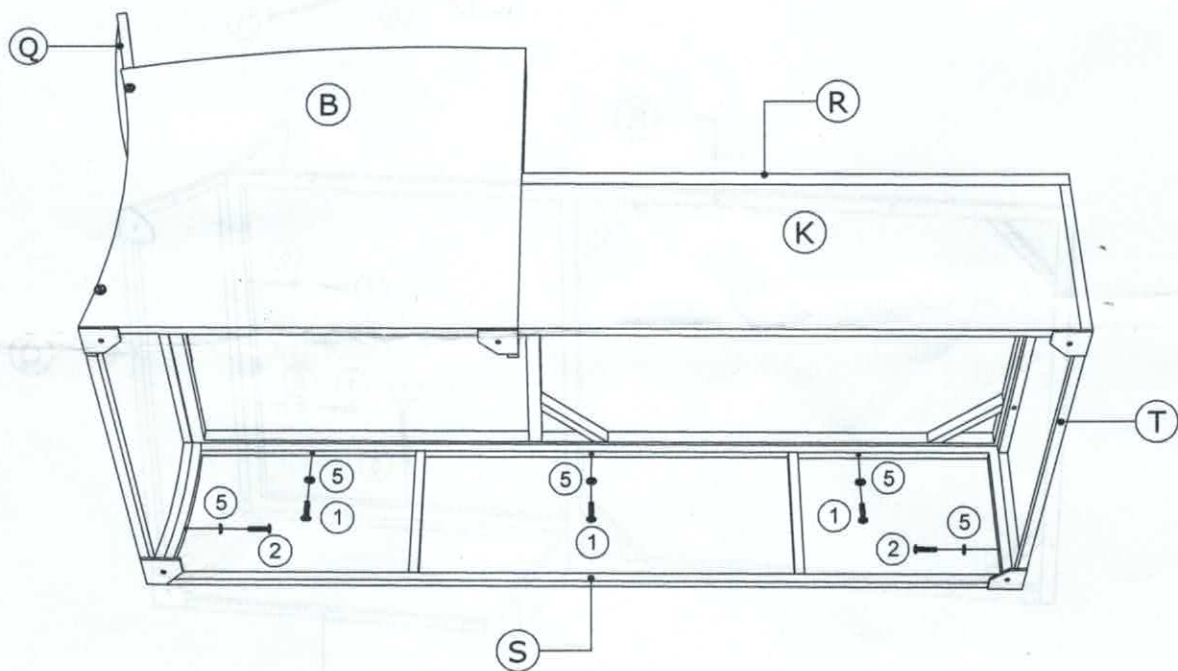
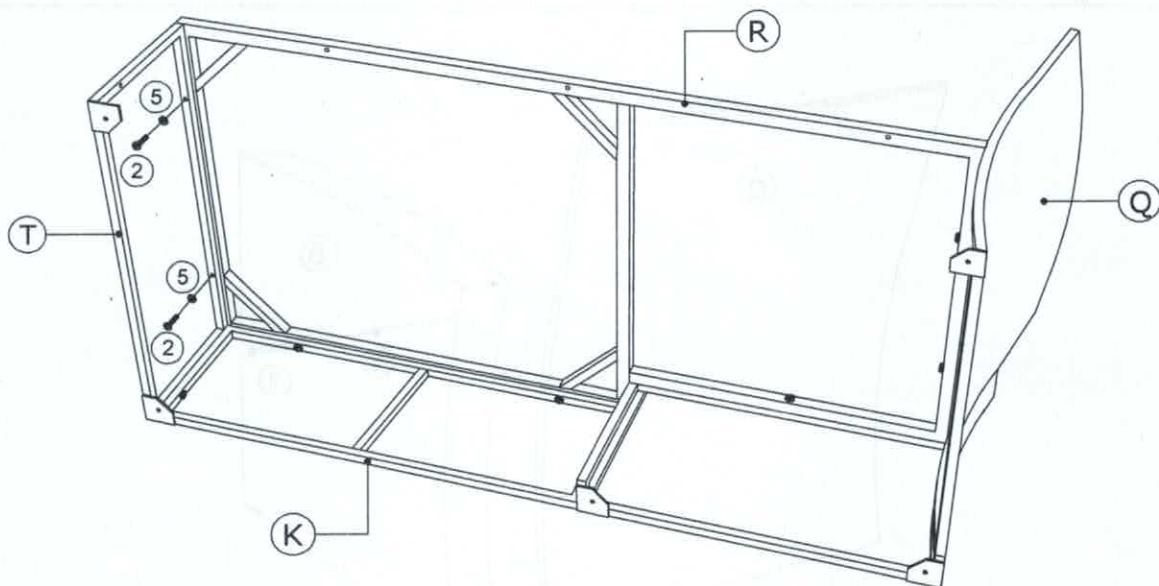


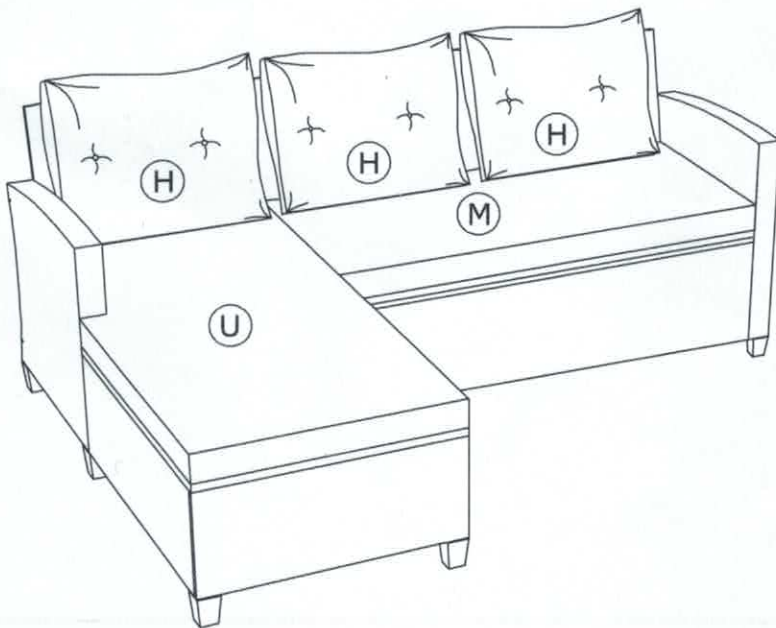
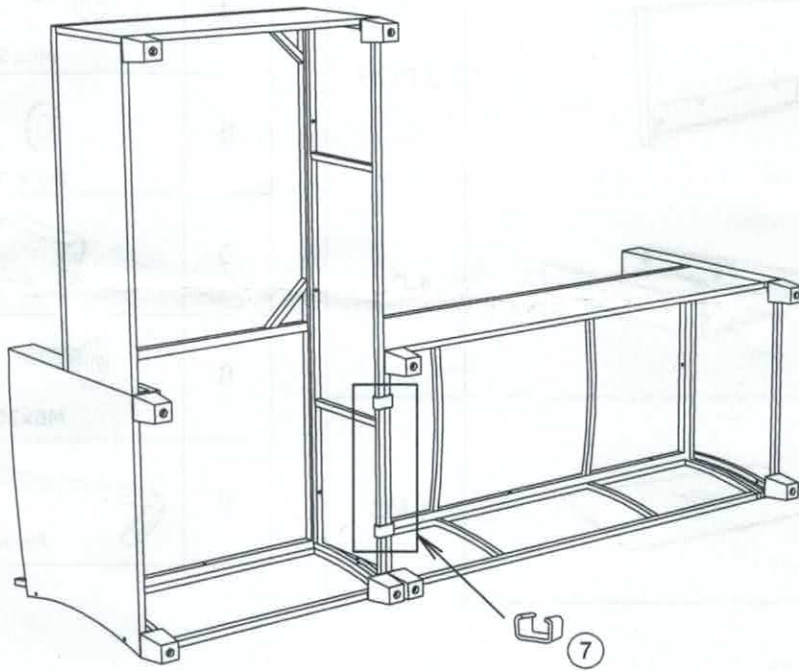
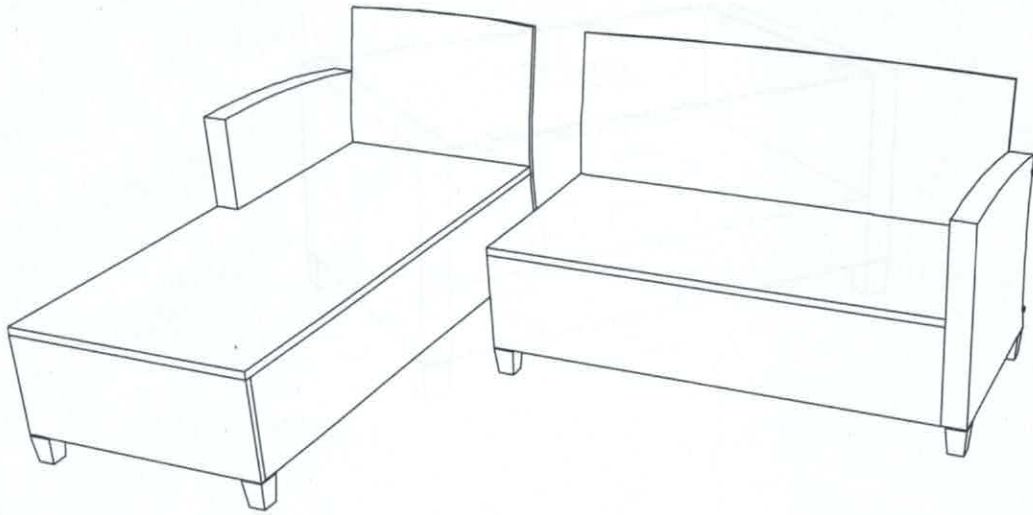


B		1 PC
Q		1 PC
R		1 PC
S		1 PC
T		1 PC
K		1 PC
U		1 PC

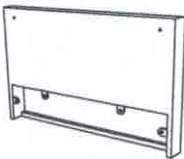


1	 M6x40 mm	6 PCS
2	 M6x35 mm	8 PCS
3	 M6x70 mm	2 PCS
4	 M6x55 mm	5 PCS
5	 Ø6 x 14 mm	16 PCS
6		5 PCS
7		2 PCS
9	 Allenkey 4 x 60	1 PC
H		1 PC



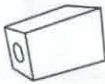

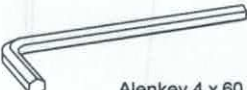








X		2 PCS
Y		1 PC
W		1 PC

4	 M6x55 mm	4 PCS
5	 Ø6 x 14 mm	8 PCS
6		4 PCS
8	 M6x25 mm	8 PCS
9	 Allenkey 4 x 60	1 PC

